

TECHNICAL SERVICE BULLETIN**Bulletin No.:** TSB-012**Date:** March 31, 2015**Subject:** Frame Mount Cylinder Isolator Replacement**Models:** Generation 1 Frame Mount Fuel Storage Modules**Background**

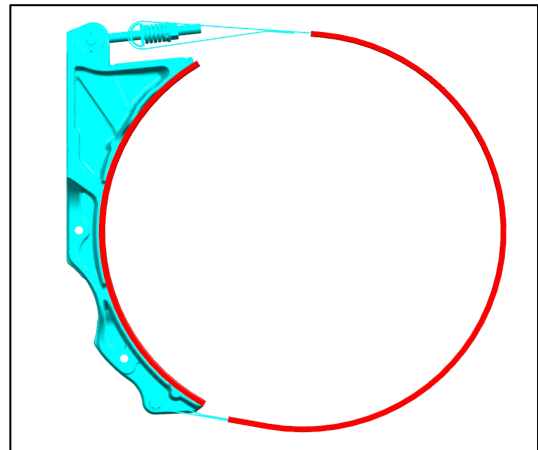
Cylinder Isolators are used within a fuel storage module (FSM) to secure the cylinder to the vehicle. The isolators secure the cylinder to the brackets.

Condition

As part of a periodic maintenance schedule, the cylinder isolators need to be inspected. During this process, the isolators on both the cylinder bracket and cylinder strap are checked for slippage and wear.

Cause

In some cases, the isolators may slip away from the cylinder bracket saddles and/or straps. This situation places the steel cylinder brackets and/or straps directly in contact with the surface of the Type 4 cylinder which could damage the cylinder and create a dangerous condition.

**Correction**

If the isolator has slipped and there is metal contact with cylinder and the cylinder has sustained damage, then photo the area of concern and contact Quantum Technical Assistance immediately.

Use the approved adhesive kit and follow the cylinder isolator replacement instructions.

Labor Time

Isolator Replacement – 3.8 Hours

Cylinder Venting Allowance (400 psi to 0 psi) – 4 Hours

Parts Information

Isolator Kit – Quantum PN 116909

Reusable Dispensing Gun – Quantum PN 117505 (Optional)

Contact Information:

E-Mail: QTService@qtw.com

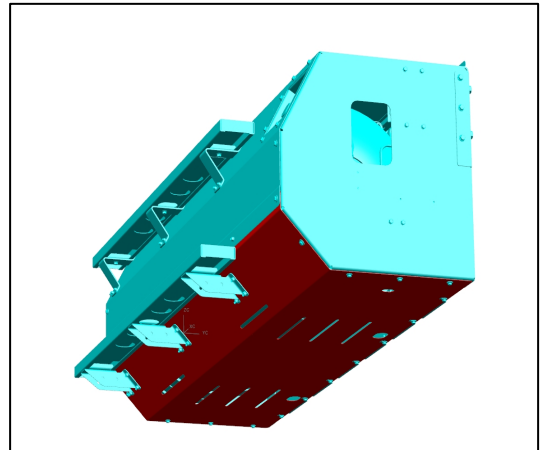
Phone: 800.816.8691

Fax: 949.930.3401

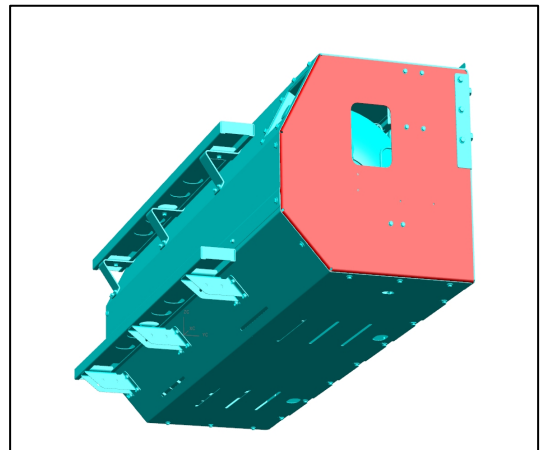
TECHNICAL SERVICE BULLETIN**Generation 1**

- 114233, 114482, 114790, 115240 – Fill Panel (Dual Fuel)
- 114985, 115306, 115533, 116102 – No Fill Panel (Slave)
- 116646, 116647 – W/ Regulator
- 117034 – High Flow

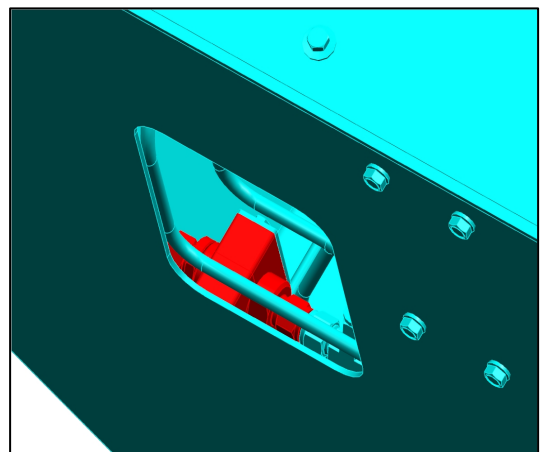
All of the Generation 1 Frame Mount FSMs will have a lower cover that is not equipped with bolts that attach the lower cover to the cylinder mounting brackets. There will only be cover bolts along the perimeter of the lower cover.



The Generation 1 Frame Mount FSMs which are equipped with a regulator and fuel control module are identified with 6 bolts on the rear end cap. The 2 lower bolts on the end cap are used to mount the regulator. The 4 upper bolts on the end cap are used to mount the bracket for the fuel control module.



The Generation 1 Frame Mount FSMs that are built for high flow capacity can be identified with the check valve and mount attached to the inside of the rear end cap.



TECHNICAL SERVICE BULLETIN

One Sheet Per Vehicle	Order Form - Isolator Kit Fax to 949.930.3401 Email to QTService@qtww.com	<i>TSB-012</i>
--------------------------	--	----------------

The following information must be complete and legible:

- 1) Name: _____
- 2) Order Date: _____
- 3) Contact Phone: _____
- 4) Email (If applicable): _____
- 5) Complete VIN: _____
- 6) FSM Serial Number: _____
- 7) Vehicle Mileage: _____
- 8) Vehicle Year: _____
- 9) Vehicle Make & Model: _____
- 10) If this is the first isolator replacement, then check the box at the bottom of the page for a reusable dispensing gun.
- 11) Shipping Address*: _____

Please indicate the parts needed for this vehicle. Place an "X" in the box for the parts required.

Check	Quantity	Description
X	1	Isolator Kit – Quantum PN 116909
		Reusable Dispensing Gun – Quantum PN 117505

* Parts will be shipped UPS Ground. If expedited shipping is required, please provide the shipping number and preferred carrier.