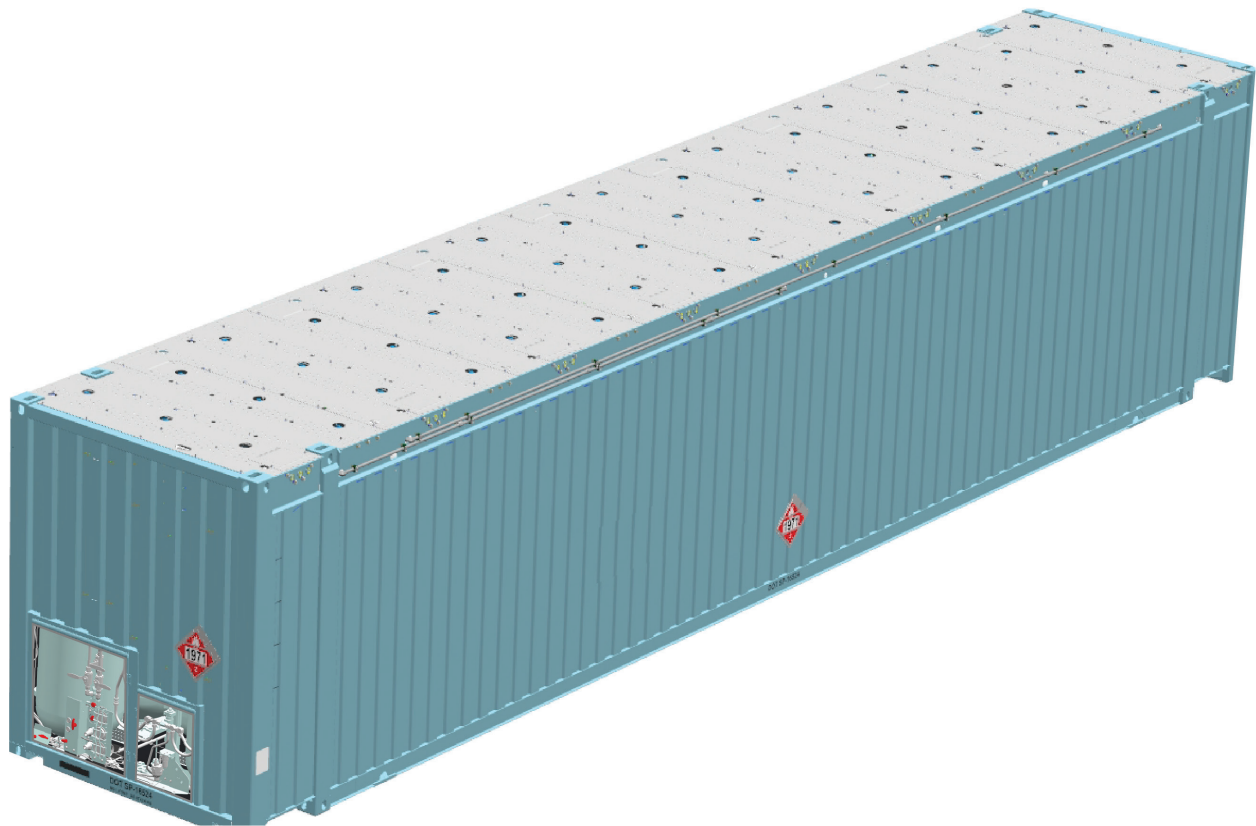


QUANTUM
FUEL SYSTEMS



Virtual Pipeline FSM Parts Manual

Preface

To reduce the chance of personal injury and/or property damage, the following must be carefully observed:

Proper installation, service, and repair are important to the safety of the service technician and the safe, reliable operation of all motor vehicles. If part replacement is necessary, the part must be replaced with one of the same part number or with an equivalent part. Do not use replacement parts of lesser quality.

Accordingly, anyone who intends to use a replacement part, procedure, or tool which is not recommended in this manual, must first determine neither his safety nor the safe operation of the vehicle will be jeopardized by the replacement part, procedure, or tool selected.

If you need further information or have any questions, please contact:

Quantum Fuel Systems LLC.
25372 Commercentre Drive
Lake Forest, CA 92630
USA

Tel: 949.930.3400
www.QTWW.com

All information, illustrations, and specifications are based on the latest product information available at the time of printing. Quantum Fuel Systems LLC. reserves the right to make changes at any time without notice.

This information is the intellectual property of Quantum Fuel Systems LLC. and may not be altered in any way. This information is protected by the copyright laws of the United States of America, and other countries, and may not be reproduced, stored in any retrieval system, or transmitted in any form or by any means (including but not limited to electronic, mechanical, photocopying, and recording) without the prior written permission of Quantum Fuel Systems LLC.

©2025 Quantum Fuel Systems LLC.

How to Use This Manual

This supplement contains information specific to Quantum Virtual Pipeline (VP) trailers. It does not explain everything you need to know about servicing your equipment.

The Virtual Pipeline trailers are configured within various generations. When referencing a Quantum Part Number, confirm your part with the generation of the trailer being serviced. Items not identified with a specific generation reference will apply to all generations of that trailer. If the generation is listed, then those specific parts for that generation.

45' User Interface - Double Panel Generations 1, 2, 3 (Cont)

Item	Qty	Quantum Part No.	Gen	Description
145	2	118703-003		VALVE - 3 WAY, YEL HANDLE, LOW PRESS
146	1	117638-003		HANDLE- 1/4 TURN VALVE, YEL, PRKR, W/SET SCREW
147	1	118634	1, 3	BRACKET- MSTR CTL, REAR

Ordering Parts

To purchase repair or replacement parts, use the online Parts Request Form. Retail parts pricing and the Parts Request Form are accessible at www.qtww.com or send a request to QTParts@qtww.com.

Technical Assistance

For questions regarding the installation, maintenance, and service for the Quantum Virtual Pipeline (VP) trailers, contact Quantum Technical Assistance at 800.816.8691.

Table of Contents

VP Trailer Identification	2
VP Trailer User Interface	8
45' (G1-G3) User Interface - Double Panel	8
45' (G4-G6) User Interface - Single Panel Double Door	12
20' (G1) & 40' (G1) User Interface	16
20' (G1) & 40' (G2-G3) User Interface	20
10' (G1-G2) User Interface	24
VP Trailer Manual Shut Off Valves	28
VP Trailer Regulator & Filter	30
VP Trailer Actuation Control	32
45' (G1-G5) Actuation Control - Double Panel	32
20' (G1-G2), 40' (G1-G3), & 45' (G6-G7), H2 Actuation Control - Single Panel	34
40' (G2) - Q-Subs	36
10' (G1-G2) Fuel Transfer	38
20' (G1-G2), 40' (G1-G2), & 45' (G5-G7) Fuel Transfer	40
40' (H2) Fuel Transfer	42
45' (G1-G4) Fuel Transfer	44
45' (G7) High Flow Pipe Assembly - Trunk / Standard Flow	46
40' Pipe Assembly - Trunk	48
VP Trailer Pressure Relief Valves	50
45' VP Trailer Pressure Relief Valves	50
10' (G1), 20' (G1-G2), 40' (G1-G2) Trailer Pressure Relief Valves	52
VP Trailer Covers	54
45' Roof Covers	54
40' Roof Covers	56
20' Roof Covers	58
45' (G1-G4) Bottom Covers	60
45' (G5-G6) Bottom Covers	62
45' (G7) Bottom Covers	64
40' (G1-G3) Bottom Covers	66
20' (G1-G2) Bottom Covers	68
VP Trailer Cylinder Supports & Cross Members	70
Spherical Bearing Repair Parts	70
Flex Plate Repair Parts Production - Bond Sleeve 102"	72
Flex Plate Repair Parts Production - Bond Sleeve 107"	74
Flex Plate Retrofit - Bushing to Flex Plate	76
Flex Plate Repair Parts	78
Flex Plate Repair Parts VP-10	80
45' VP Cylinder Identification & Assemblies	82
40' VP Cylinder Identification & Assemblies	84

Table of Contents

20' VP Cylinder Identification & Assemblies	88
10' VP Cylinder Identification & Assemblies	90
VP Trailer Cylinder Assembly & PRD	92
10' (G1-G2) Crossmember	96
20' (G1), 40' (G1-G3), 45' (G1-G7) Crossmember	98
VP Trailer Mechanical Components	102
Trailer Doors	102
Container Lock Kit	104
VP Trailer Labels	106
Cylinder Labels	106
20', 40', 45' VP Trailer Labels - Universal	108
10' VP Trailer Labels - Universal	110
VP Trailer Labels - Specific	112
45' VP Trailer Labels - User Interface	114
20' & 40' VP Trailer Labels - User Interface	118
10' VP Trailer Labels - User Interface	120
VP Trailer Accessories	122
VP Trailer Special Tools	124

THIS PAGE INTENTIONALLY LEFT BLANK

VP Trailer Identification

All of the VP trailers will have an identification label on the inside of the left rear door. Use the tables below to determine the generation of the particular model for your VP Trailer.

NOTE: Refer to the last 6 digits of the Serial Number and Generation when using this Parts Manual.

45' VP Trailer				
System Part Number	Platform	# Tanks	Gas	Generation
Trailers with bushing lower mounting.				
118388	45'	45	CNG	1
118195	45'	51	CNG	1
118636	45'	45	VP 650	2
119574	45'	45	CNG	3
118796	45'	51	CNG	3
119111	45'	45	CNG	4
119570	45'	45	CNG	4
118935	45'	51	CNG	4
Trailers with flex plate lower mounting.				
119402-001	45'	45	CNG	5
119402-002	45'	51	CNG	5
119402-003	45'	51	CNG	5
119402-005	45'	28	CNG	5
119402-006	45'	45	CNG	5
119402-007	45'	48	CNG	5
119402-008	45'	51	CNG	5
119402-009	45'	45	CNG	5
119402-010	45'	45	CNG	5
119402-011	45'	48	CNG	6
119402-012	45'	51	CNG	6
119402-013	45'	51	CNG	6
119402-014	45'	45	CNG	7
119402-015	45'	51	CNG	7
119402-016	45'	48	CNG	7
119402-4501	45'	45	CNG	4
119402-4502	45'	45	CNG	4
119402-4503	45'	45	CNG	4
119402-5101	45'	51	CNG	4
119402-5102	45'	51	CNG	4
119402-5103	45'	51	CNG	4

VP Trailer Identification (Cont)

All of the VP trailers will have an identification label on the inside of the left rear door. Use the tables below to determine the generation of the particular model for your VP Trailer.

NOTE: Refer to the last 6 digits of the Serial Number and Generation when using this Parts Manual.

20' / 40' VP Trailer				
System Part Number	Platform	# Tanks	Gas	Generation
119402-101	40'	45	CNG	1
119402-102	40'	45	CNG	1
119402-103	40'	45	CNG	1
119402-104	40'	45	CNG	1
119402-201	20'	21	CNG	1
119402-202	20'	21	CNG	1
119402-203	20'	21	CNG	1
119402-105	40'	45	CNG	2
119402-106	40'	45	CNG	2
119402-107	40'	45	CNG	2
119402-108	40'	45	CNG	3
119402-109	40'	45	CNG	3
119402-110	40'	45	CNG	3
119402-111	40'	45	CNG	3
119402-112	40'	45	CNG	3
119402-113	40'	45	CNG	3
119402-114	40'	45	CNG	3
119402-601	40'	45	H2	2
119402-602	40'	45	H2	2

10' VP Trailer				
System Part Number	Platform	# Tanks	Gas	Generation
119402-301	10'	6	CNG	1
119402-302	10'	8	CNG	1
119402-304	10'	8	CNG	2
119402-305	10'	8	CNG	2
119402-306	10'	8	CNG	2
119402-307	10'	8	CNG	2
119402-308	10'	8	CNG	2
119402-401	10'	8	H2	2
119402-501	10'	8	HE	2


VP Trailer Identification (Cont)

System Part Number Location

The System Part Number contains a series of numbers to the right (highlighted in RED) that is to be used to identify the specific information for the VP Trailer. Use this number when looking up information in this manual. Be sure to reference the System Part Number and Serial Number when contacting Quantum Technical Assistance.

SYSTEM PART NUMBER: **XXXXXXXX**
 MANUFACTURE DATE: **XX/XXXX**
 (BAR-CODE)
SERIAL NUMBER

Manufactured By



25242 Arctic Ocean Drive
Lake Forest, CA 92630
949.399.4500
qtww.com

Product Limitations:
 WARNING: This system must never be used in vacuum service.
 For use only with Compressed Natural Gas (CNG)

DOT-SP 16524

Printed in U.S.A.

**Quantum Virtual Pipeline
Model Number VP Lite**

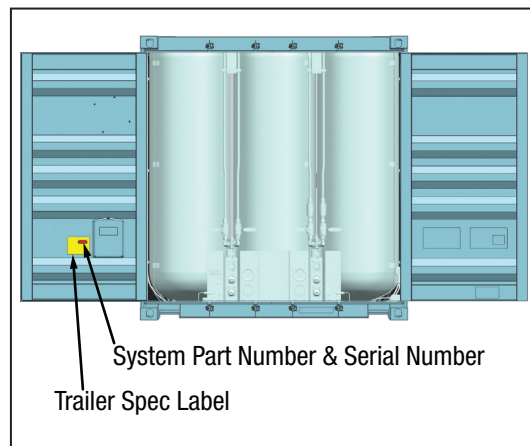
System Part Number
Manufacture Date
Serial Number

Total System Water Volume:	11,793 Gal (44,640L)
Approved Gases:	CNG Only
Maximum System Gas Capacity:	21,732 lb (9858 kg)
	474,323 SCF
Minimum System Pressure:	200 psi (13.8 bar)
System Working Pressure:	3,600 psi (248 bar)
Maximum System Pressure:	4,500 psi (310 bar)
Minimum System Ambient Temperature:	-40° F. (-40° C.)
Maximum System Ambient Temperature:	135° F. (57° C.)
Minimum Cylinder Temperature (Loading) :	-40° F. (-40° C.)
Minimum Cylinder Temperature (Unloading) :	-70° F. (-57° C.)
Maximum Cylinder Temperature:	180° F. (82° C.)

118546 Rev C

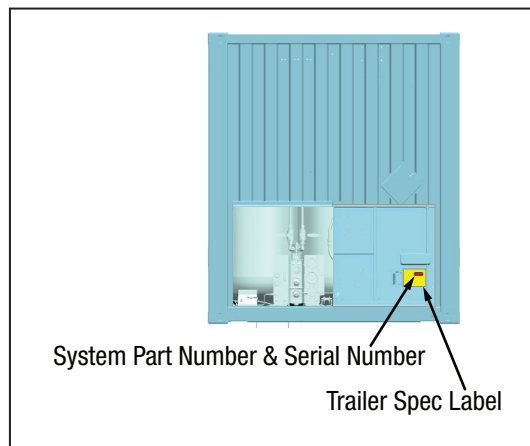
45' VP Trailer - Generations 1, 2, 3, 4, 5 & 6

The 45' VP Trailers can be identified with a System Part Number located on the Trailer Spec Label. This label can be found on the inside surface of the door when opened.



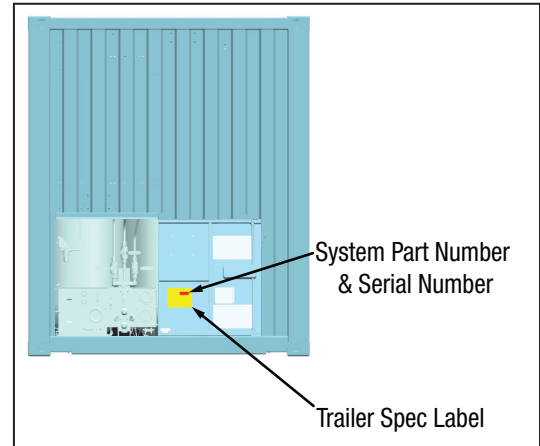
45' VP Trailer - Generation 7

The 45' VP Trailers can be identified with a System Part Number located on the Trailer Spec Label. This label can be found on the inside surface of the door when opened.



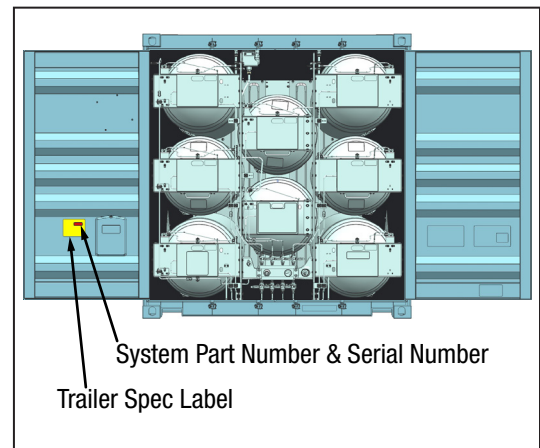
20' & 40' VP Trailer - Generations 1, 2, & 3

The 20' & 40' VP Trailers can be identified with a System Part Number located on the Trailer Spec Label. This label can be found on the inside surface of the door when opened.



10' VP Trailer - Generation 1

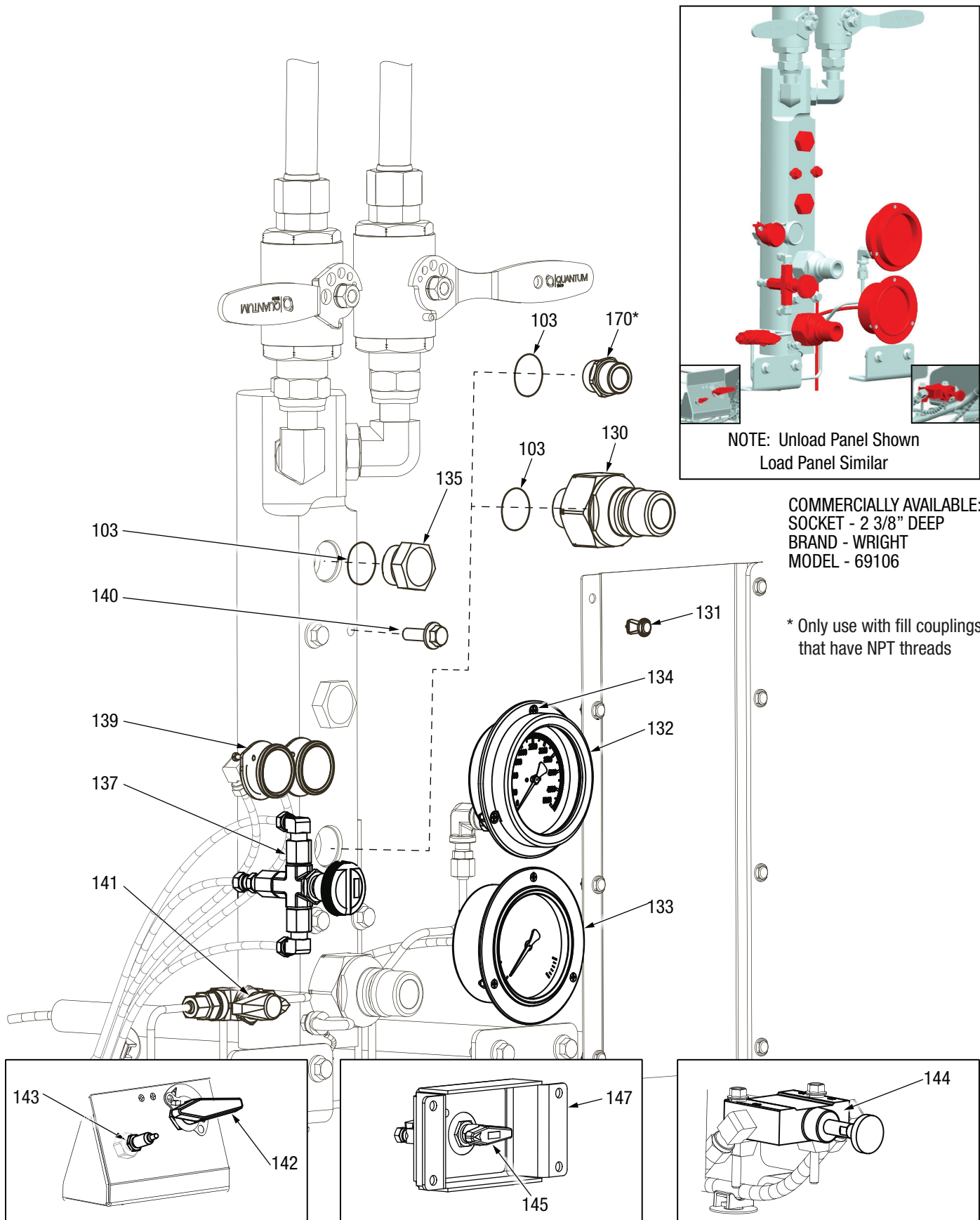
All of the 10' VP Trailers can be identified with a System Part Number located on the Trailer Spec Label. This label can be found on the inside surface of the door when opened.



THIS PAGE INTENTIONALLY LEFT BLANK

VP Trailer User Interface

45' (G1-G3) User Interface - Double Panel



NOTE: Unload Panel Shown
Load Panel Similar

COMMERCIALLY AVAILABLE:
SOCKET - 2 3/8" DEEP
BRAND - WRIGHT
MODEL - 69106

* Only use with fill couplings
that have NPT threads

Rear Master Control Shown

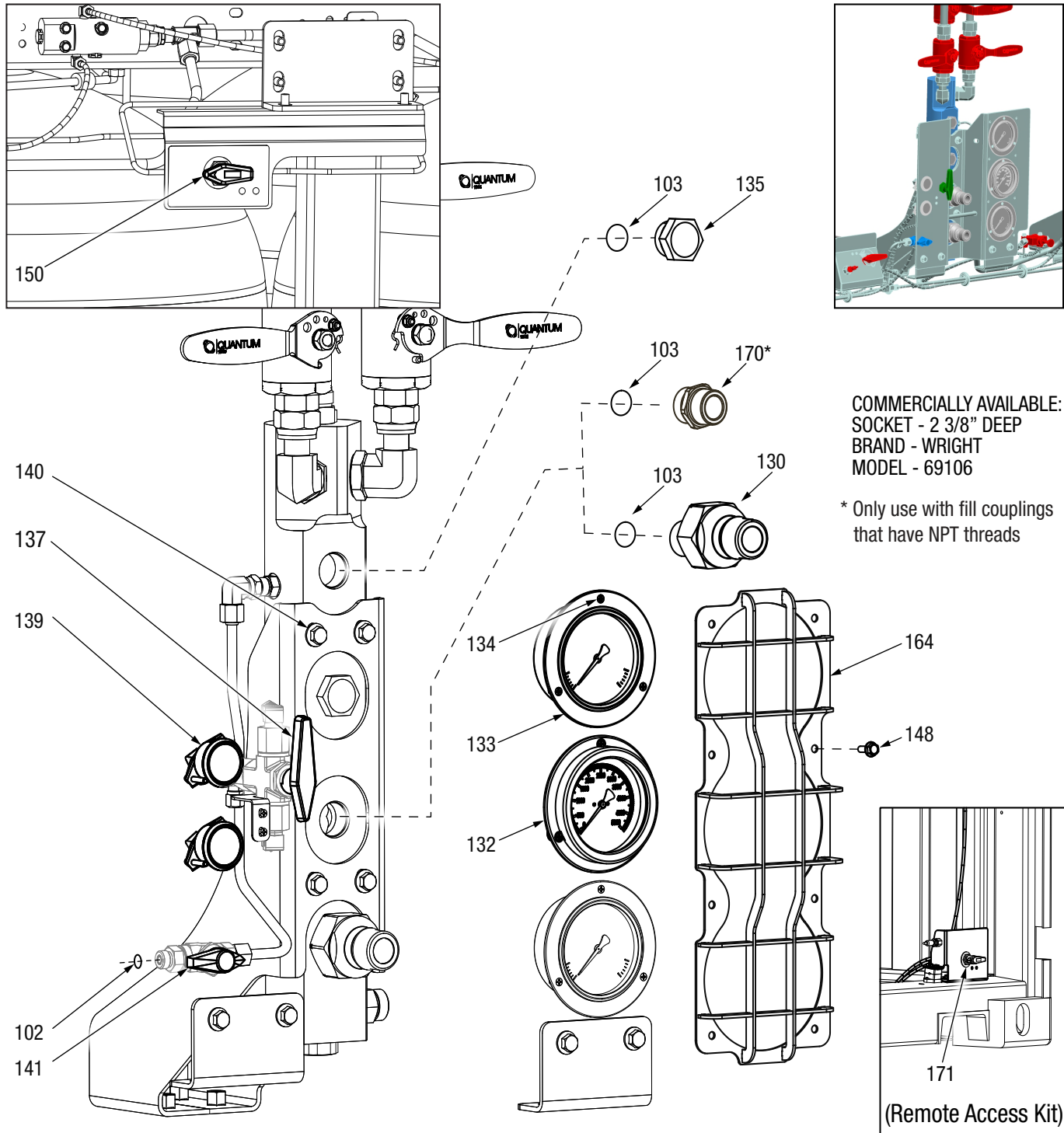
45' (G1-G3) User Interface - Double Panel (Cont)

Item	Qty	Quantum Part No.	Gen	Description
101	6	117997-021		O-RING-ORFS-16, LOW TEMP
102	2	117997-011		O-RING-ORFS-4, LOW TEMP
103	10	117997-916		O-RING-SAE-16, LOW TEMP
130	A/R	118399		COUPLING- QUICK DISCON, VP MALE, OASIS, SAE
	A/R	117939		QUICK COUPLER-MALE, W/COVER, VP, NPT THD
	A/R	120008-003		KIT SERVICE- OASIS COUPLER, MALE, SAE
	A/R	120008-001		KIT SERVICE- OASIS COUPLER, MALE, NPT
	A/R	119576		DUST CAP- QK COUPLER, OASIS, MALE
	A/R	119107		COUPLING- QK DISCON, VP FEMALE, OASIS, NPT
	A/R	120008-002		KIT SERVICE- OASIS COUPLER, FEMALE
	A/R	119561-001		COUPLING- QK DISCON, VP FEMALE, EATON, NPT
	A/R	119561-002		COUPLING- QK DISCON, VP FEMALE, EATON, W/CERT, NPT
	A/R	119562-001		DUST CAP- QK COUPLER, EATON, FEMALE
131	8	103610-001		RETAINER- PANEL, PLASTIC, 20MM
132	2	118459		GAUGE- PRESSURE, 4", 5000 PSI
133	2	118495-002		GAUGE- TEMPERATURE, VP, 4", WIKA
	2	120113-001		GAUGE- TEMPERATURE, VP, 4", ESP
	2	119947		FITTING- MODIFIED, TEMP PROBE, VP
	2	115776-001		FITTING- NUT AND FERRULE SET, 1/4"
134	6	114079-006		SCREW - SS, M4 X 0.7, 16MM
135	A/R	118077-007		PLUG- HEX HEAD, -16 SAE
137	1	118703-004		VALVE - 3 WAY, BLK, ROUND KNOB, LOW PRESS
	A/R	119035-001		HANDLE- 1/4 TURN VALVE, BLK, ROUND
	A/R	121480-001		FITTING- ADAPTER, 1/4 TURN VLV, PRKR, -4
139	2	118700		GAUGE- PRESSURE, 1.5", 120 PSI
140	8	S1-20298-012		BOLT- HEAVY HEX FLANGE, M10 X 30
141	1	118748-006		VALVE- 1/4 TURN, HYLOK, -6
	A/R	119540		HANDLE- 1/4 TURN, HYLOK, BLUE
	A/R	117638-002		HANDLE- 1/4 TURN VLV, BLK, PRKR, W/SET SCREW
	A/R	119397		KIT- CONVERSION, VENT VALVE, VP, HYLOK
142	1	118703-002		VALVE -3 WAY, RED HANDLE, LOW PRESS
	A/R	117638-001		HANDLE- 1/4 TURN VLV, RED, PRKR, W/SET SCREW
	A/R	118782		KIT- VLV LOCKOUT, 3-WAY, PRKR

THIS PAGE INTENTIONALLY LEFT BLANK

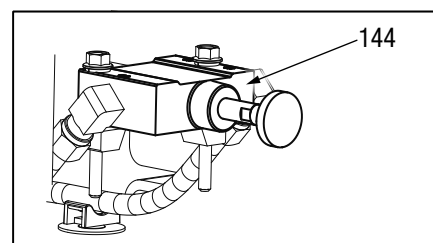
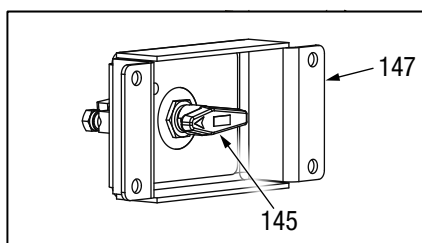
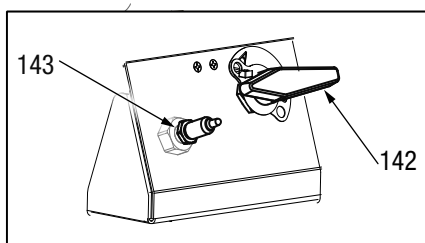
VP Trailer User Interface (Cont)

45' (G4-G6) User Interface - Single Panel Double Door



COMMERCIALY AVAILABLE:
SOCKET - 2 3/8" DEEP
BRAND - WRIGHT
MODEL - 69106

* Only use with fill couplings
that have NPT threads



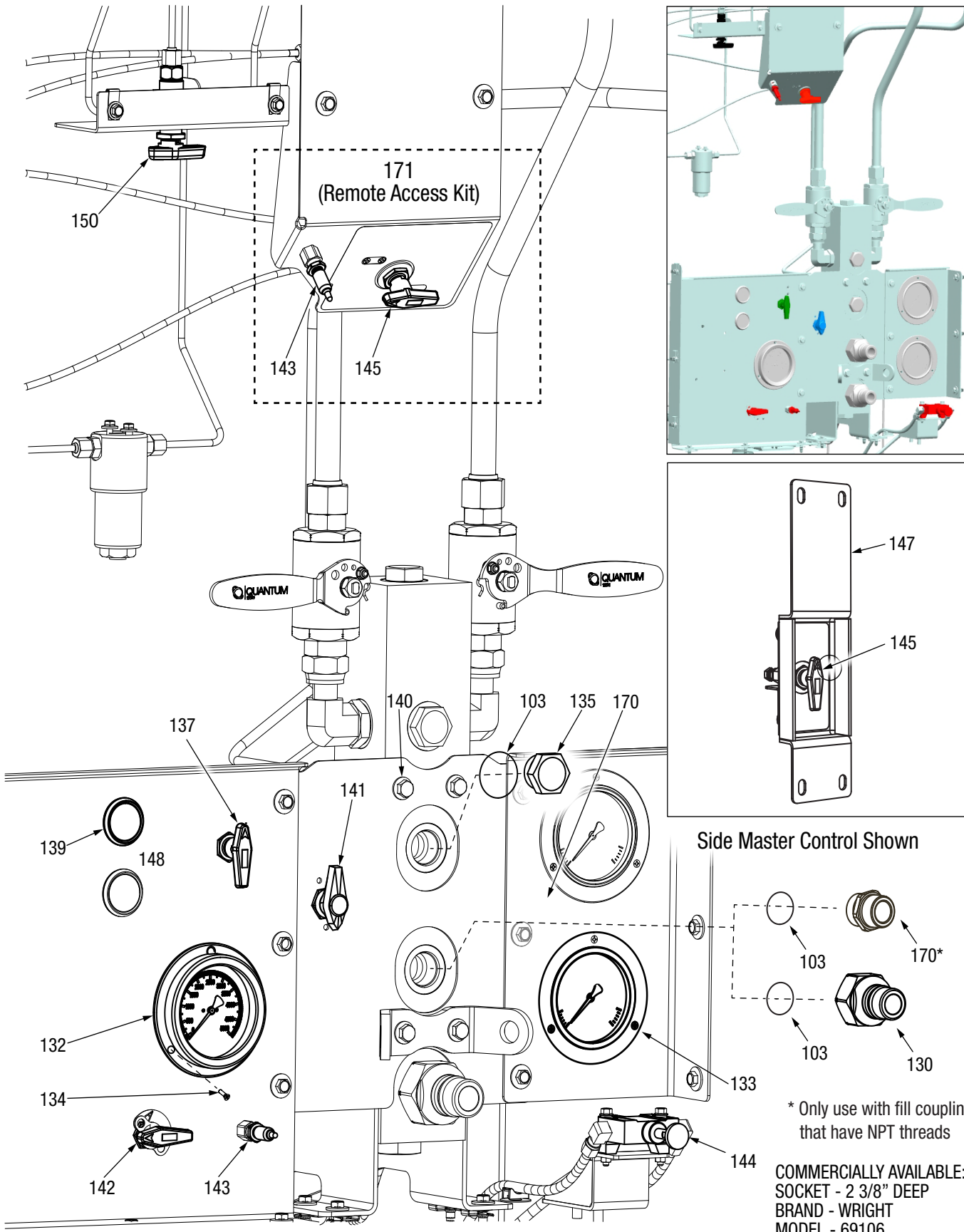
Rear Master Control Shown

45' (G4-G7) User Interface - Single Panel (Cont)

Item	Qty	Quantum Part No.	Gen	Description
101	6	117997-021		O-RING-ORFS-16, LOW TEMP
102	2	117997-011		O-RING-ORFS-4, LOW TEMP
103	10	117997-916		O-RING-SAE-16, LOW TEMP
130	A/R	118399		COUPLING- QUICK DISCON, VP MALE, OASIS, SAE
	A/R	120008-003		KIT SERVICE- OASIS COUPLER, MALE, SAE
	A/R	119576		DUST CAP- QK COUPLER, OASIS, MALE
	A/R	119107		COUPLING- QK DISCON, VP FEMALE, OASIS, NPT
	A/R	120008-002		KIT SERVICE- OASIS COUPLER, FEMALE
	A/R	119561-001		COUPLING- QK DISCON, VP FEMALE, EATON, NPT
	A/R	119561-002		COUPLING- QK DISCON, VP FEMALE, EATON, W/CERT, NPT
	A/R	119562-001		DUST CAP- QK COUPLER, EATON, FEMALE
132	2	118459		GAUGE- PRESSURE, 4", 5000 PSI
133	2	118495-002		GAUGE- TEMPERATURE, VP, 4", WIKA
	2	120113-001		GAUGE- TEMPERATURE, VP, 4", ESP
	2	119947		FITTING- MODIFIED, TEMP PROBE, VP
	2	115776-001		FITTING- NUT AND FERRULE SET, 1/4"
134	6	114079-006		SCREW - SS, M4 X 0.7, 16MM
135	A/R	118077-007		PLUG- HEX HEAD, -16 SAE
137	1	120292-004		VALVE ASM- 3-WAY, 3/8", GRN HANDLE, LOW PRESS
	A/R	117638-008		HANDLE- 1/4 TURN VLV, GRN, PRKR, W/SET SCRW, -6 VLV
139	2	118700		GAUGE- PRESSURE, 1.5", 120 PSI
140	8	S1-20298-012		BOLT- HEAVY HEX FLANGE, M10 X 30
141	1	118748-006		VALVE- 1/4 TURN, HYLOK, -6
	A/R	119540		HANDLE- 1/4 TURN, HYLOK, BLUE
142	1	118703-002	G4-G6	VALVE -3 WAY, RED HANDLE, LOW PRESS
	A/R	117638-001	G4-G6	HANDLE- 1/4 TURN VLV, RED, PRKR, W/SET SCREW
	A/R	118782	G4-G6	KIT- VLV LOCKOUT, 3-WAY, PRKR
	1	120292-002	G7	VALVE ASM- 3-WAY, 3/8", RED HANDLE, LOW PRESS
	1	117638-005	G7	HANDLE- 1/4 TURN VLV, RED, PRKR, W/SET SCRW, -6 VLV
	A/R	120469	G7	KIT- VLV LOCKOUT, 3-WAY, PRKR
143	1	118498		COUPLING, QK CONN, MALE, 1/4" NPT
	A/R	118499		DUST CAP- QK COUPLER
144	1	118448		VALVE, BRK INTERLOCK, VP

THIS PAGE INTENTIONALLY LEFT BLANK

VP Trailer User Interface (Cont)
20' (G1) & 40' (G1) User Interface

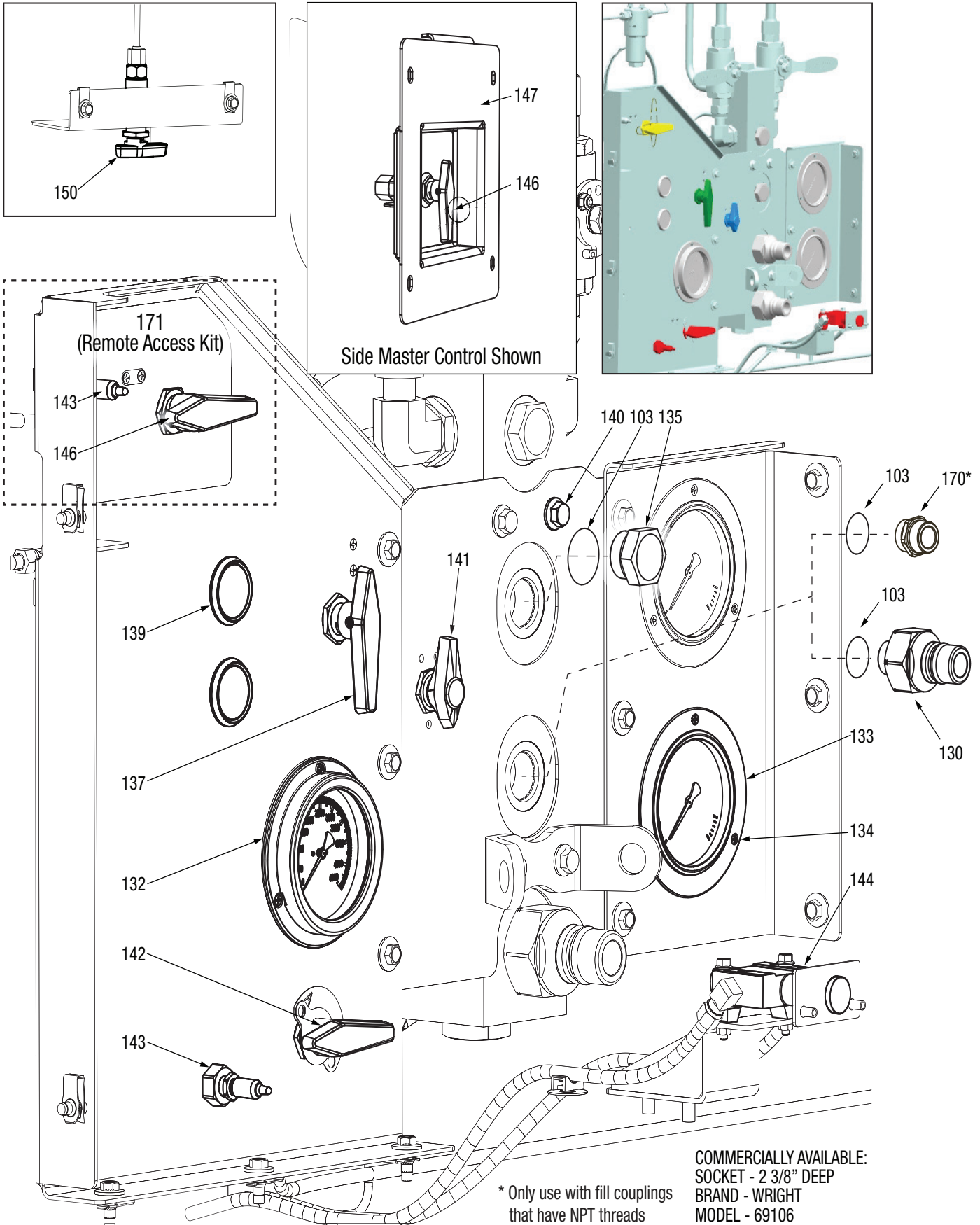


20' (G1) & 40' (G1) User Interface (Cont)

Item	Qty	Quantum Part No.	Gen	Description
101	6	117997-021		O-RING-ORFS-16, LOW TEMP
102	2	117997-011		O-RING-ORFS-4, LOW TEMP
103	10	117997-916		O-RING-SAE-16, LOW TEMP
130	A/R	118399		COUPLING- QUICK DISCON, VP MALE, OASIS, SAE
	A/R	120008-003		KIT SERVICE- OASIS COUPLER, MALE, SAE
	A/R	119576		DUST CAP- QK COUPLER, OASIS, MALE
	A/R	119107		COUPLING- QK DISCON, VP FEMALE, OASIS, NPT
	A/R	120008-002		KIT SERVICE- OASIS COUPLER, FEMALE
	A/R	119561-001		COUPLING- QK DISCON, VP FEMALE, EATON, NPT
	A/R	119561-002		COUPLING- QK DISCON, VP FEMALE, EATON, W/CERT, NPT
	A/R	119562-001		DUST CAP- QK COUPLER, EATON, FEMALE
132	2	118459		GAUGE- PRESSURE, 4", 5000 PSI
133	2	118495-002		GAUGE- TEMPERATURE, VP, 4", WIKA
	2	120113-001		GAUGE- TEMPERATURE, VP, 4", ESP
	2	119947		FITTING- MODIFIED, TEMP PROBE, VP
	2	115776-001		FITTING- NUT AND FERRULE SET, 1/4"
134	6	114079-006		SCREW - SS, M4 X 0.7, 16MM
135	A/R	118077-007		PLUG- HEX HEAD, -16 SAE
137	1	118703-007		VALVE ASM- 3-WAY, GRN HANDLE, LOW PRESS
	A/R	117638-004		HANDLE- 1/4 TURN VLV, GRN, PRKR, W/SET SCREW
	A/R	121480-001		FITTING- ADAPTER, 1/4 TURN VLV, PRKR, -4
139	2	118700		GAUGE- PRESSURE, 1.5", 120 PSI
140	8	S1-20298-012		BOLT- HEAVY HEX FLANGE, M10 X 30
141	1	118748-006		VALVE- 1/4 TURN, HYLOK, -6
	A/R	119540		HANDLE- 1/4 TURN, HYLOK, BLUE
142	1	118703-002		VALVE -3 WAY, RED HANDLE, LOW PRESS
	1	117638-001		HANDLE- 1/4 TURN VLV, RED, PRKR, W/SET SCREW
	A/R	118782		KIT- VLV LOCKOUT, 3-WAY, PRKR
143	1	118498		COUPLING, QK CONN, MALE, 1/4" NPT
	A/R	118499		DUST CAP- QK COUPLER
144	1	118448		VALVE, BRK INTERLOCK, VP
145	2	118703-003		VALVE - 3 WAY, YEL HANDLE, LOW PRESS
	A/R	117638-003		HANDLE- 1/4 TURN VLV, YEL, PRKR, W/SET SCREW
147	1	119460		BRACKET- MSTR CTRL, SIDE, 20'/40'/45', GALV, G4-G6

THIS PAGE INTENTIONALLY LEFT BLANK

VP Trailer User Interface (Cont)
20' (G1) & 40' (G2-G3) User Interface



20' (G1) & 40' (G2-G3) User Interface (Cont)

Item	Qty	Quantum Part No.	Gen	Description
101	6	117997-021		O-RING-ORFS-16, LOW TEMP
102	2	117997-011		O-RING-ORFS-4, LOW TEMP
103	10	117997-916		O-RING-SAE-16, LOW TEMP
130	A/R	118399		COUPLING- QUICK DISCON, VP MALE, OASIS, SAE
	A/R	120008-003		KIT SERVICE- OASIS COUPLER, MALE, SAE
	A/R	119107		COUPLING- QK DISCON, VP FEMALE, OASIS, NPT
	A/R	120008-002		KIT SERVICE- OASIS COUPLER, FEMALE
	A/R	119561-001		COUPLING- QK DISCON, VP FEMALE, EATON, NPT
	A/R	119561-002		COUPLING- QK DISCON, VP FEMALE, EATON, W/CERT, NPT
	A/R	119562-001		DUST CAP- QK COUPLER, EATON, FEMALE
	A/R	119576		DUST CAP- QK COUPLER, OASIS, MALE
	A/R	121124-001		COUPLING- QK DISCON, VP MALE, OASIS, H2
	1	121362-001	H2	COUPLING- QK DISCON, VP FEMALE, H2, OASIS, SAE
	2	121035-001	H2	COUPLING- QK DISCON, VP MALE, H2, OASIS, SAE
132	2	118459		GAUGE- PRESSURE, 4", 5000 PSI
	1	118218-004	40' H2	FITTING- ADAPTER, NPT TO ORFS, -4, SS
	1	118349-002	40' H2	FITTING- ELBOW, SS, 1/4 FNPT, 5000 PSI
133	2	118495-002		GAUGE- TEMPERATURE, VP, 4", WIKA
	2	120113-001		GAUGE- TEMPERATURE, VP, 4", ESP
	2	119947		FITTING- MODIFIED, TEMP PROBE, VP
	2	115776-001		FITTING- NUT AND FERRULE SET, 1/4"
134	6	114079-006		SCREW - SS, M4 X 0.7, 16MM
135	A/R	118077-007		PLUG- HEX HEAD, -16 SAE
137	1	120292-004		VALVE ASM- 3-WAY, 3/8", GRN HANDLE, LOW PRESS
	A/R	117638-008		HANDLE- 1/4 TURN VLV, GRN, PRKR, W/SET SCRW, -6 VLV
	1	118732-001	40' H2	FITTING- ADAPTER -4 COMP TO 1/4" FNPT, BRASS
	1	118734-005	40' H2	FITTING- BRANCH TEE, COMP TO NPT, 6-4
	1	120530	40' H2	VALVE ASM- 3-WAY, ACV, GRN HANDLE, 20/40 G2
139	2	118700		GAUGE- PRESSURE, 1.5", 120 PSI
	2	118733-001		FITTING- ELBOW, BRASS, 1/8 FNPT, 1/4 COMP
140	8	S1-20298-012		BOLT- HEAVY HEX FLANGE, M10 X 30

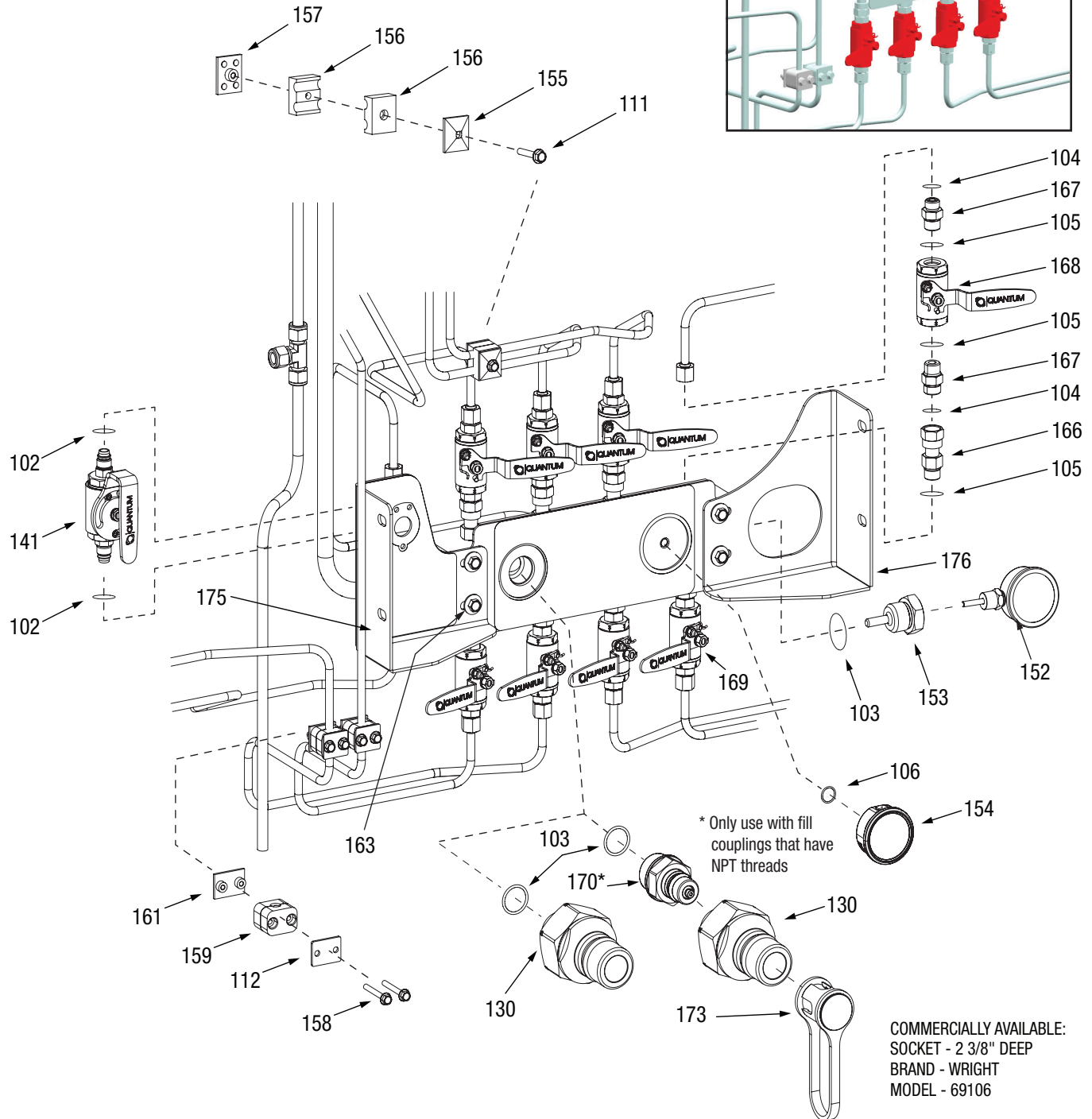
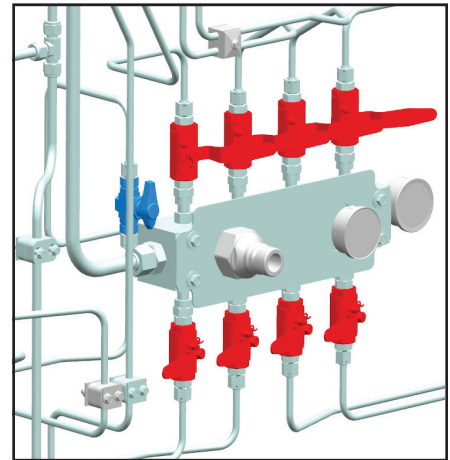
20' (G1) & 40' (G2-G3) User Interface (Cont)

Item	Qty	Quantum Part No.	Gen	Description
141	1	118748-006		VALVE- 1/4 TURN, HYLOK, -6
	A/R	119540		HANDLE- 1/4 TURN, HYLOK, BLUE
	1	121111-004	40' H2	VALVE- 1/4 TURN, OASIS, PNL MT, H2, -6
142	1	120292-002		VALVE ASM- 3-WAY, 3/8", RED HANDLE, LOW PRESS
	1	117638-005		HANDLE- 1/4 TURN VLV, RED, PRKR, W/SET SCRW, -6 VLV
	A/R	120469		KIT- VLV LOCKOUT, 3-WAY, PRKR
	1	120531		VALVE ASM- 3-WAY, W/FTGS, 3/8", RD HNDL, LOW PRESS
143	1	118498		COUPLING, QK CONN, MALE, 1/4" NPT
	1	118499		DUST CAP- QK COUPLER
144	1	118448		VALVE, BRK INTERLOCK, VP
146	2	120292-003		VALVE ASM- 3-WAY, 3/8", YEL HANDLE, LOW PRESS
	A/R	117638-007		HANDLE- 1/4 TURN VLV, YEL, PRKR, W/SET SCREW, -6 VLV
147	1	120300	G2-G3	BRACKET- MSTR CTRL, SIDE, 20'/40'/45', GALV, G7
150	1	118748-003	40' G2	VALVE- 1/4 TURN, HYLOK, -4 ORFS
	A/R	119540	40' G2	HANDLE- 1/4 TURN, HYLOK, BLUE
	1	118748-003	20' G2	VALVE- 1/4 TURN, HYLOK, -4 ORFS
	A/R	119540	20' G2	HANDLE- 1/4 TURN, HYLOK, BLUE
170	A/R	121366		FITTING- ADAPTER NPT TO SAE, SS, -16
	A/R	117940		FITTING- ADAPTER NPT TO SAE, SS, -16, OASIS
171	A/R	120623	20' G1	KIT- REMOTE ACCESS, VP-20' G1 / 40' G2
		120630	40' G2	KIT- REMOTE ACCESS, SGLE DR, 20'/40' G2

THIS PAGE INTENTIONALLY LEFT BLANK

VP Trailer User Interface (Cont)

10' (G1-G2) User Interface



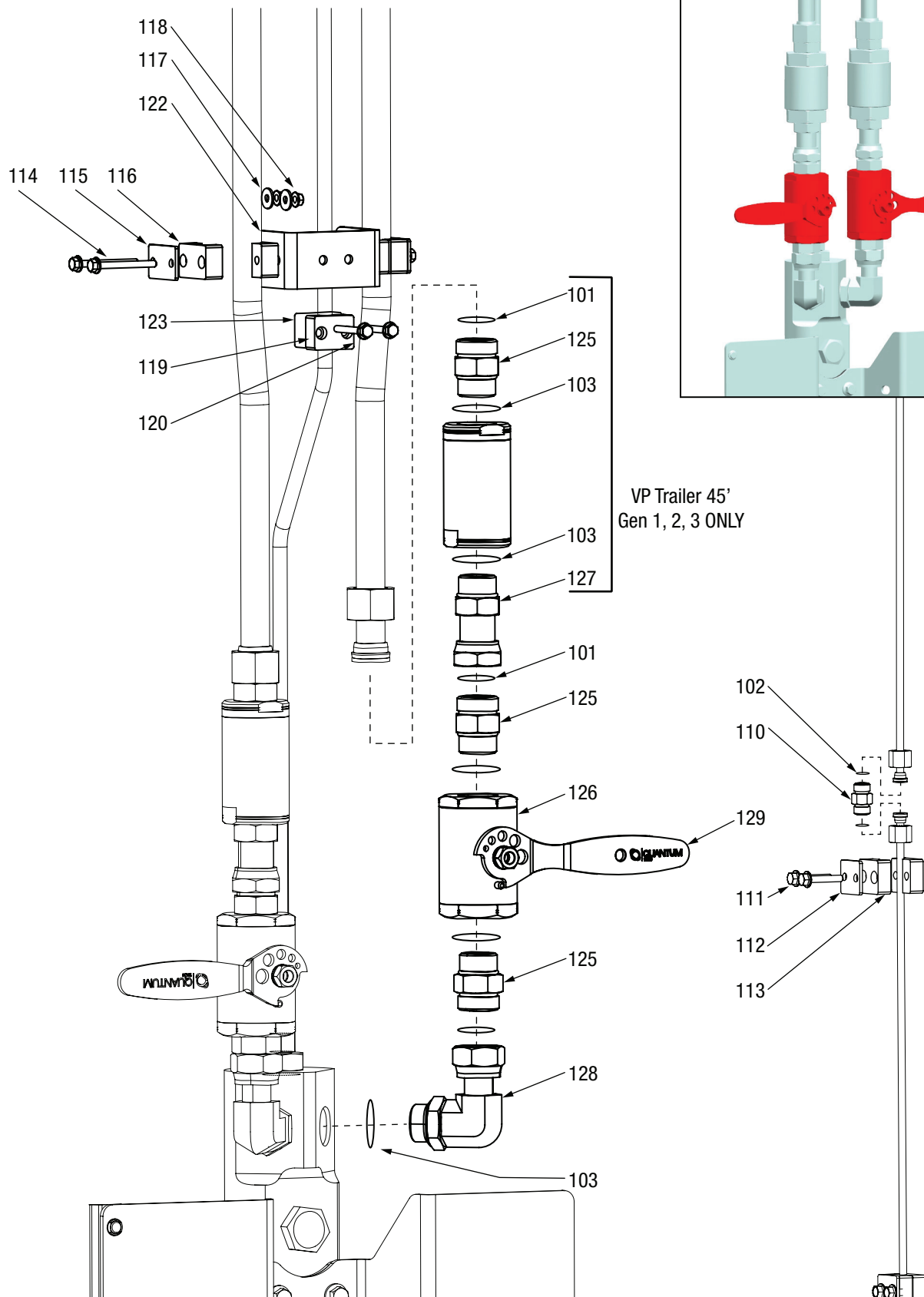
10' (G1-G2) User Interface (Cont)

Item	Qty	Quantum Part No.	Gen	Description
101	6	117997-021		O-RING-ORFS-16, LOW TEMP
102	2	117997-011		O-RING-ORFS-4, LOW TEMP
103	10	117997-916		O-RING-SAE-16, LOW TEMP
104		117997-012		O-RING-ORFS-6, LOW TEMP
105		117997-908		O-RING-SAE-8, LOW TEMP
106		117997-904		O-RING-SAE-4, LOW TEMP
111		S1-20370-018		BOLT- HEX FLANGE, M6 X 35
112	1	118686-001		PLATE- SUPPORT, 1/4" PIPE MOUNT
130	A/R	118399		COUPLING- QUICK DISCON, VP MALE, OASIS, SAE
	A/R	120008-001		KIT SERVICE- OASIS COUPLER, MALE, NPT
	A/R	120008-003		KIT SERVICE- OASIS COUPLER, MALE, SAE
	A/R	119576		DUST CAP- QK COUPLER, OASIS, MALE
		119107		COUPLING- QK DISCON, VP FEMALE, OASIS, NPT
		119561-001		COUPLING- QK DISCON, VP FEMALE, EATON, NPT
		121114-001	H2	COUPLING- QK DISCON, VP FEMALE, H2, OASIS, SAE
		121035-001	H2	COUPLING- QK DISCON, VP MALE, H2, OASIS, SAE
		121362-001	H2	COUPLING- QK DISCON, VP FEMALE, H2, OASIS, SAE
141	1	118748-006		VALVE- 1/4 TURN, HYLOK, -6
	A/R	119540		HANDLE- 1/4 TURN, HYLOK, BLUE
	1	121111-004		VALVE- 1/4 TURN, OASIS, PNL MT, H2, -6
152	1	119657		GAUGE- TEMPERATURE, VP10, 2.5", ESP
	1	122441		GAUGE- TEMPERATURE, VP10, 3", ASHCROFT
153	1	119817		FITTING- THERMOWELL, VP10
	1	122476		FITTING- THERMOWELL, VP10, (USE ONLY WITH ASHCROFT)
	1	122009		FITTING- THERMOWELL, VP10, SS, H2
154	1	119659-001		GAUGE- PRESSURE, VP10, 2.7"
155		118532-001		PLATE- COVER, PIPE MOUNT, VP
156		117999-002		INSULATOR- SUPPORT, 3/8" TUBE, DOUBLE
157		119651-001		PLATE- SUPT, PIPE MOUNT, VP
158		S1-20370-020		BOLT- HEX FLANGE, M6 X 50
159		119400-003		INSULATOR- SUPPORT, 3/8" TUBE
160		119400-005		INSULATOR- SUPPORT, 1/2" TUBE
161		118535-002		PLATE - SUPT, PIPE MOUNT, VP
162		119652-003		PLATE - SUPT, PIPE MOUNT, VP

THIS PAGE INTENTIONALLY LEFT BLANK

VP Trailer Manual Shut Off Valves

Manual Shut Off Valves - 20', 40', 45' Trailers

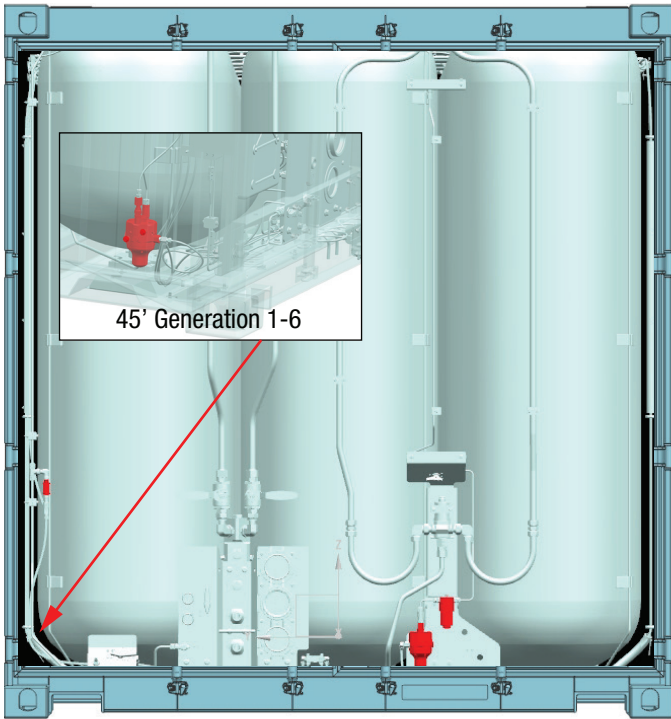


VP Trailer Manual Shut Off Valves (Cont)

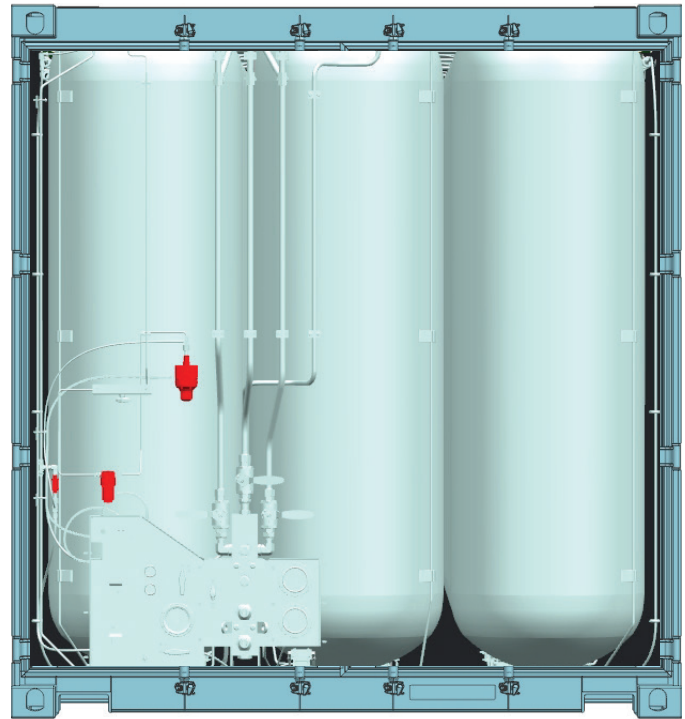
Item	Qty	Quantum Part No.	Gen	Description
101	6	117997-021		O-RING-ORFS-16, LOW TEMP
102	2	117997-011		O-RING-ORFS-4, LOW TEMP
103	10	117997-916		O-RING-SAE-16, LOW TEMP
110	1	114061-001		FITTING, UNION, ORFS -4
111	2	S1-20370-018		BOLT- HEX FLANGE, M6 X 35
112	1	118686-001		PLATE- SUPPORT, 1/4" PIPE MOUNT
113	2	118025-001		INSULATOR- SUPPORT, 1/4" TUBE
114	4	S1-20370-021		BOLT- HEX FLANGE, M6 X 60
115	4	118686-003		PLATE- SUPPORT, 1" PIPE MOUNT
116	2	118025-012		INSULATOR- SUPPORT, 1" TUBE
117	6	109657-005		WASHER- FLAT, USS, M6
118	6	N1-20300-002		NUT- CRIMP LOCK, HEX FLANGE, M6
119	2	118025-004		INSULATOR- SUPPORT, 1/2" TUBE
120	2	S1-20370-020		BOLT- HEX FLANGE, M6 X 50
122	1	118942		BRACKET- SUPPORT, PRV FUEL LINE
123	1	118686-002		PLATE- SUPPORT, 1/2" PIPE MOUNT, SINGLE
125	4	118226-014		FITTING- UNION, SAE TO ORFS, -16
126	1	119617-001		VALVE ASM - 1" BALL VLV, RH LATCHING
	1	119617-002		VALVE ASM - 1" BALL VLV, LH LATCHING
	1	119617-003		VALVE ASM - 1" BALL VLV, CTR, RH LATCHING
	A/R	119618		KIT- SERVICE, OASIS 1" BALL VALVE, W/ O-RINGS
	1	121033-002		VALVE ASM - 1" BALL VLV, LH LATCHING, H2
	1	121033-001		VALVE ASM - 1" BALL VLV, RH LATCHING, H2
	A/R	122843		KIT- SERVICE, OASIS 1" BALL VALVE, W/ O-RINGS, H2
127	1	102917-006		FITTING- ADPT, SAE TO ORFS, SS, -16
128	2	118029-016		FITTING- ELBOW, ORFS TO SAE, -16, POSITION
		121393-006		FITTING- ELBOW, ORFS TO SAE, -16, POSITION
129	1	119589		HANDLE ASM- OASIS 1", LATCHING, LH
	1	119581		HANDLE ASM- OASIS 1", LATCHING, RH
	1	119616		HANDLE ASM- OASIS 1", LATCHING, CTR OFFSET

VP Trailer Regulator & Filter

All Models

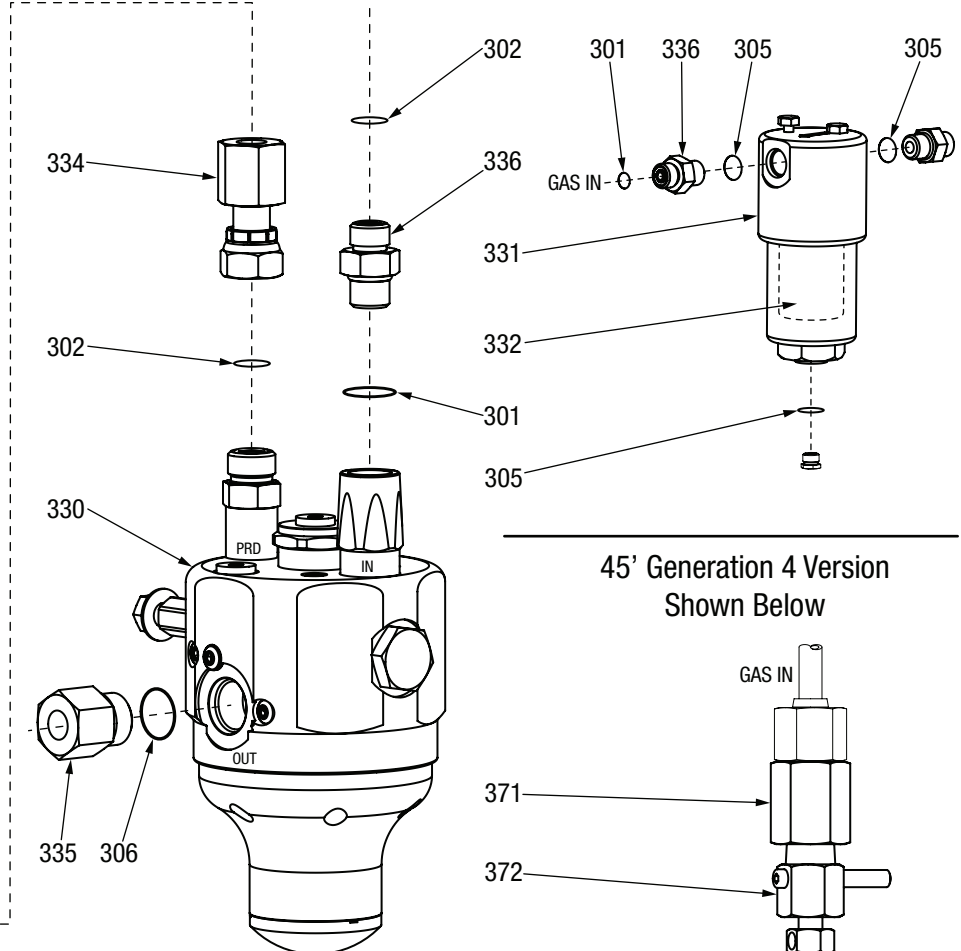
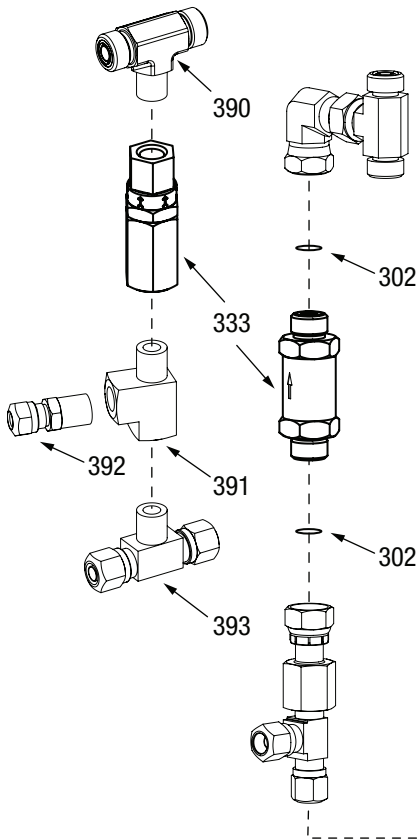


45' Generation 7 Version Shown (Doors Removed)

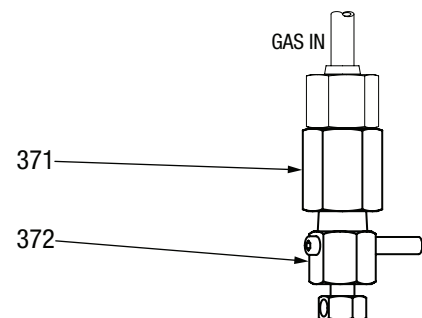


40' Generation 2 Version Shown (Doors Removed)

40' Generation 3 Version Shown Below

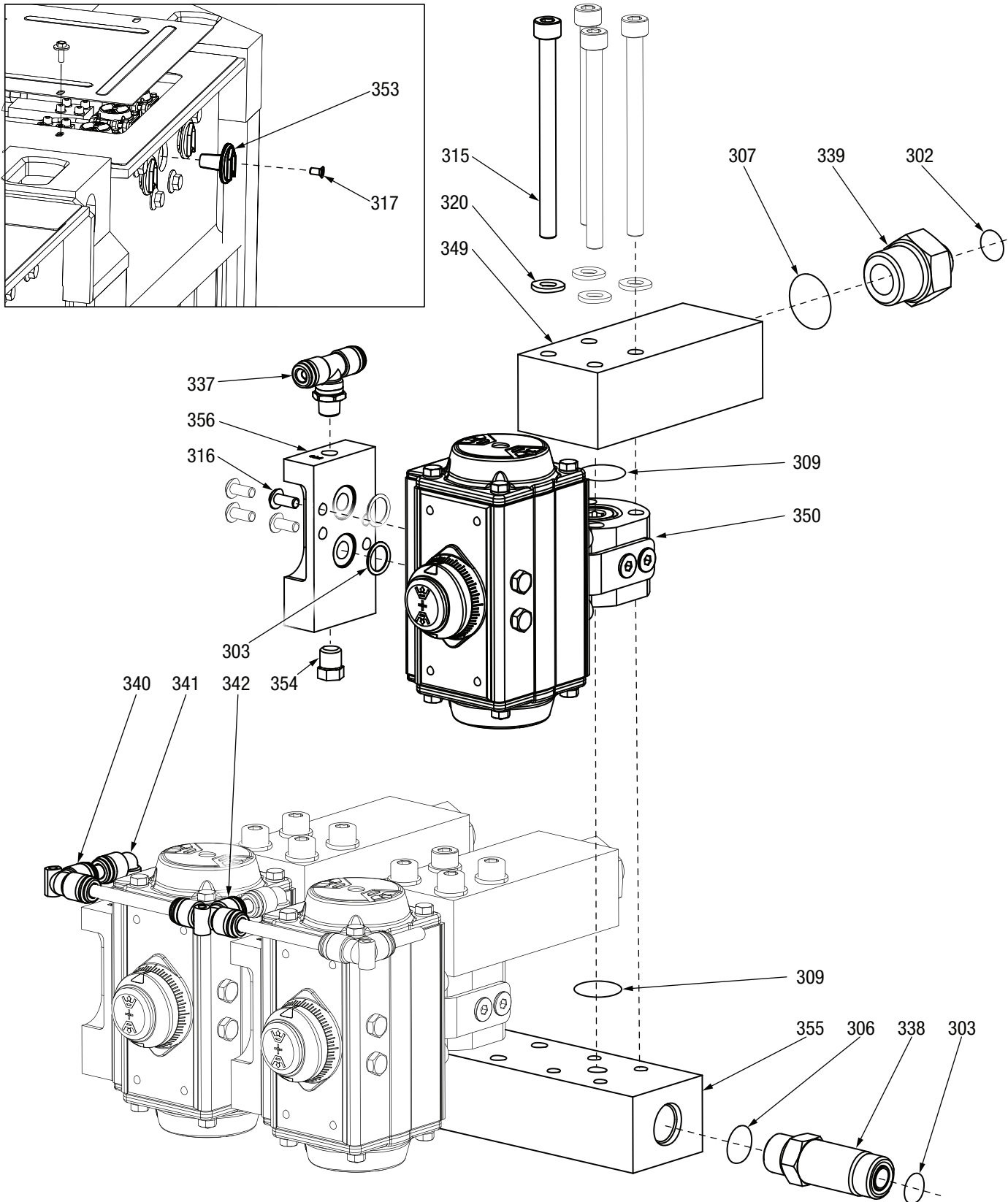


45' Generation 4 Version Shown Below



VP Trailer Actuation Control

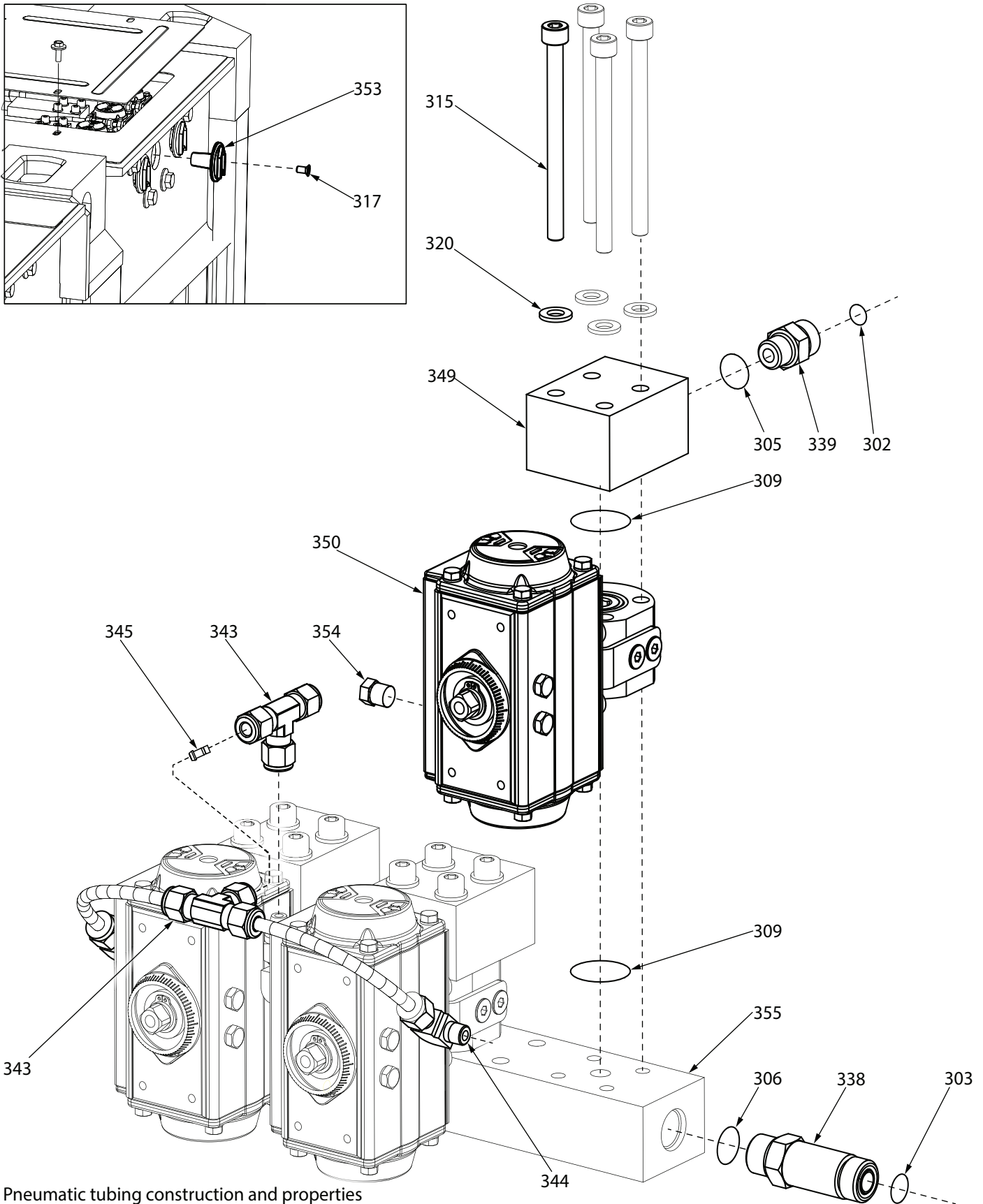
45' (G1-G5) Actuation Control - Double Panel



Pneumatic tubing construction and properties
to meet SAE J844 and DOT FMVSS 49CFR 571.106

VP Trailer Actuation Control (Cont)

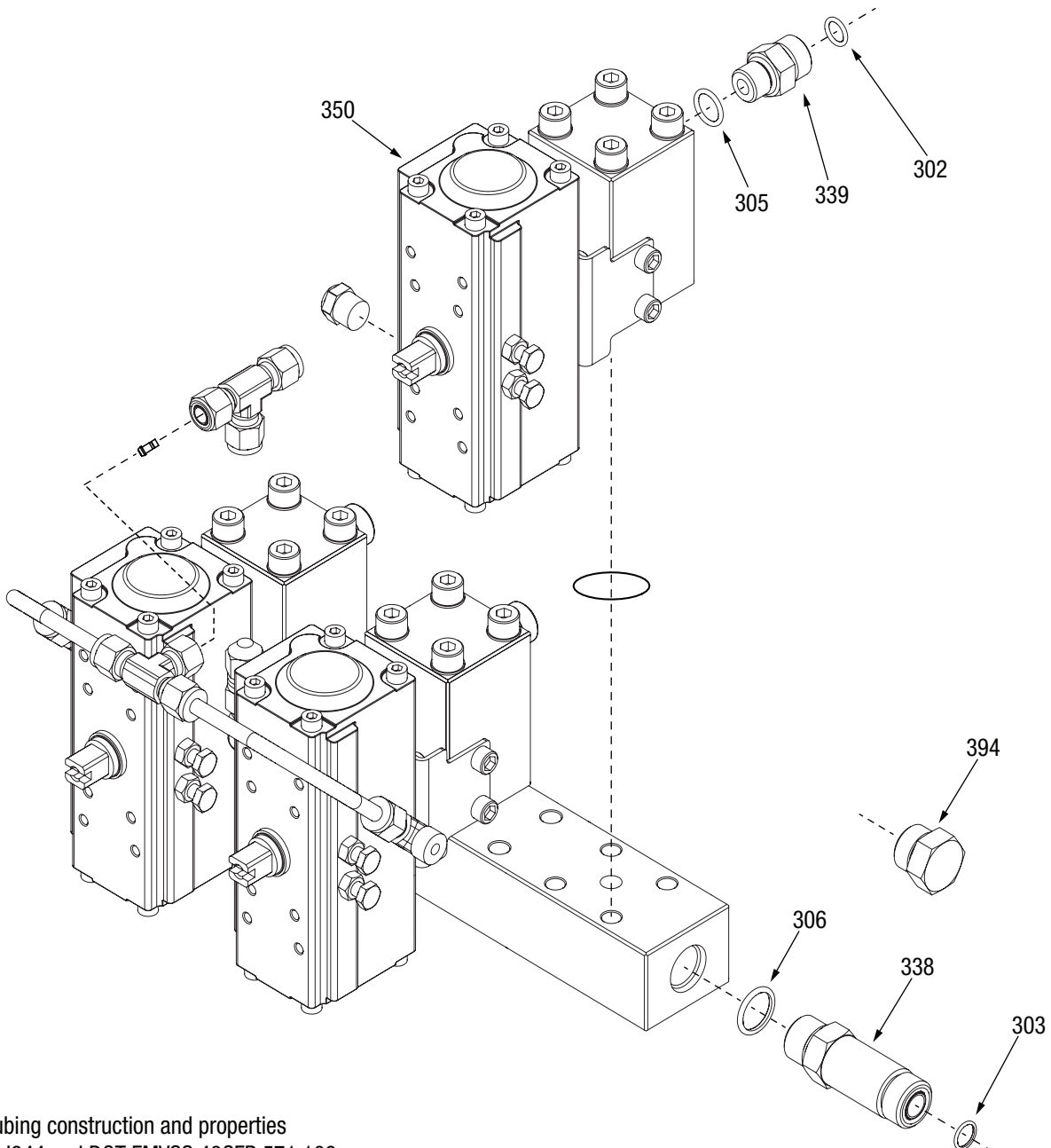
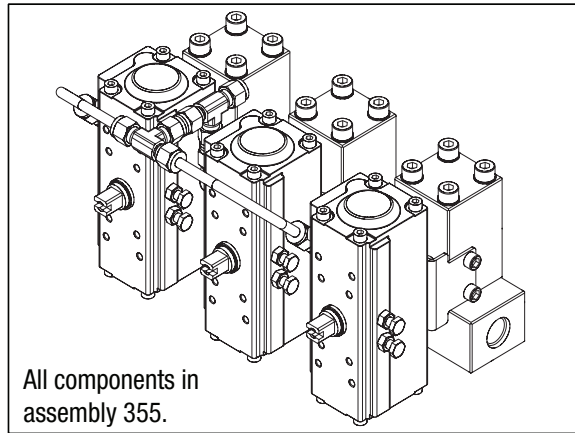
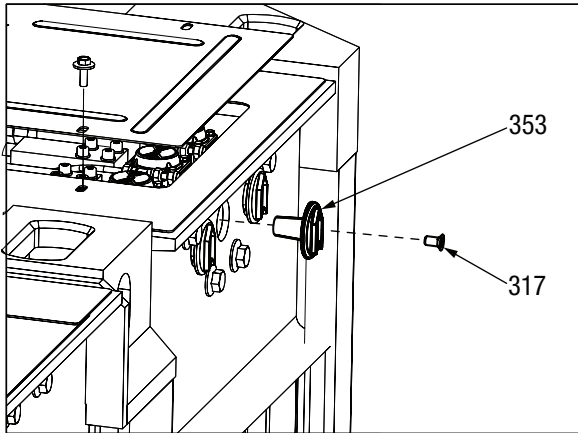
20' (G1-G2), 40' (G1-G3), & 45' (G6-G7), H2 Actuation Control - Single Panel



Pneumatic tubing construction and properties
to meet SAE J844 and DOT FMVSS 49CFR 571.106

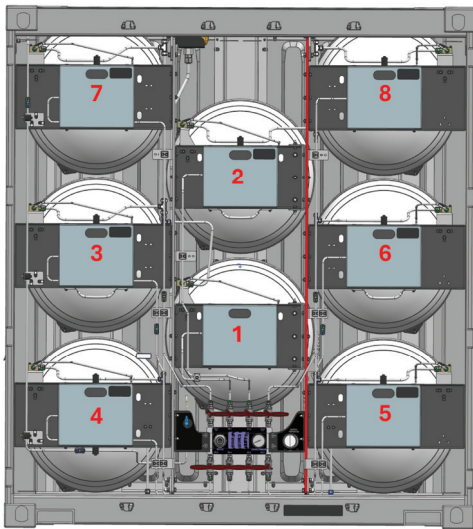
VP Trailer Actuation Control (Cont)

40' (G2) - Q-Subs

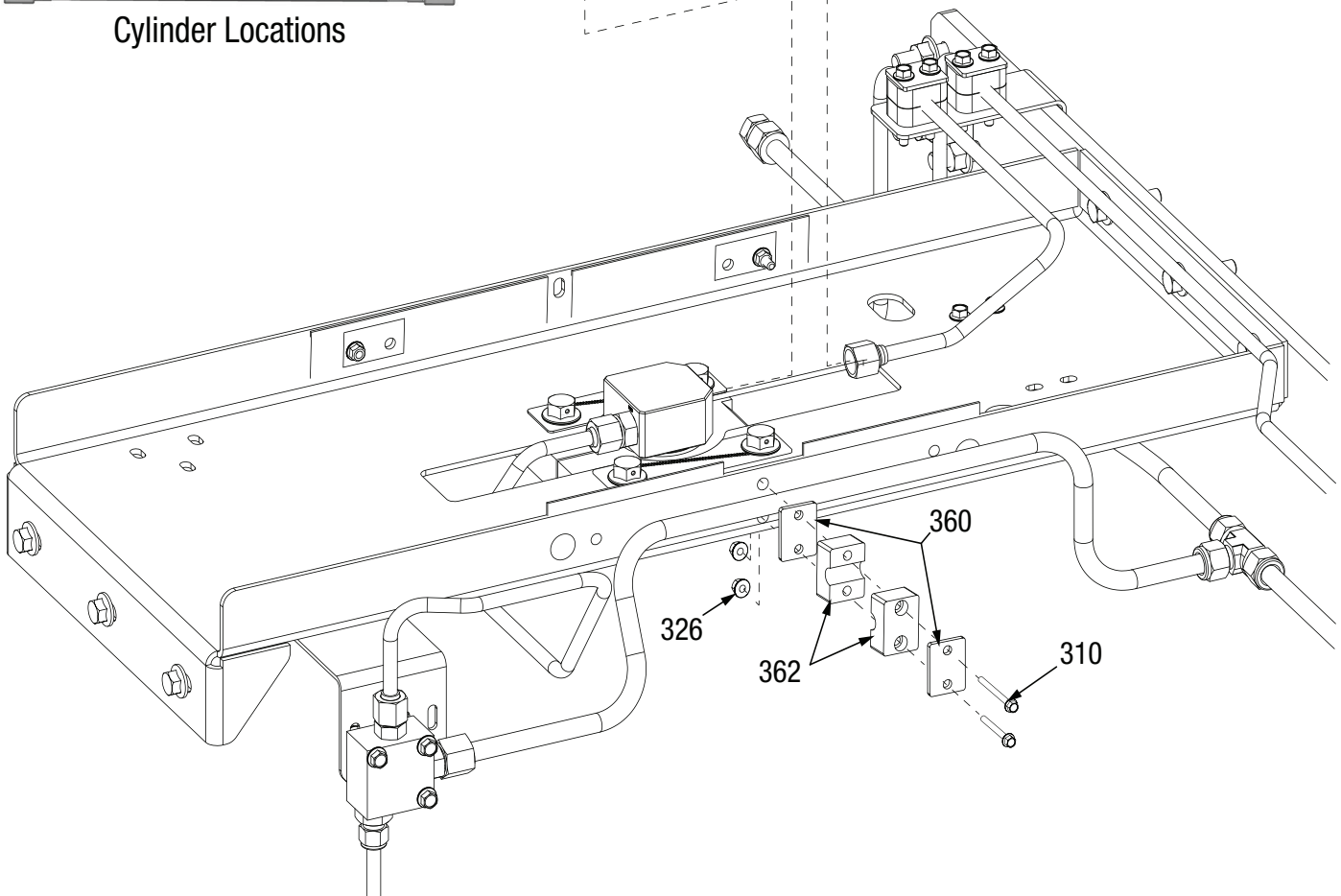
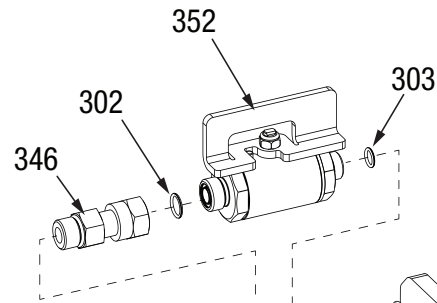


Pneumatic tubing construction and properties
to meet SAE J844 and DOT FMVSS 49CFR 571.106

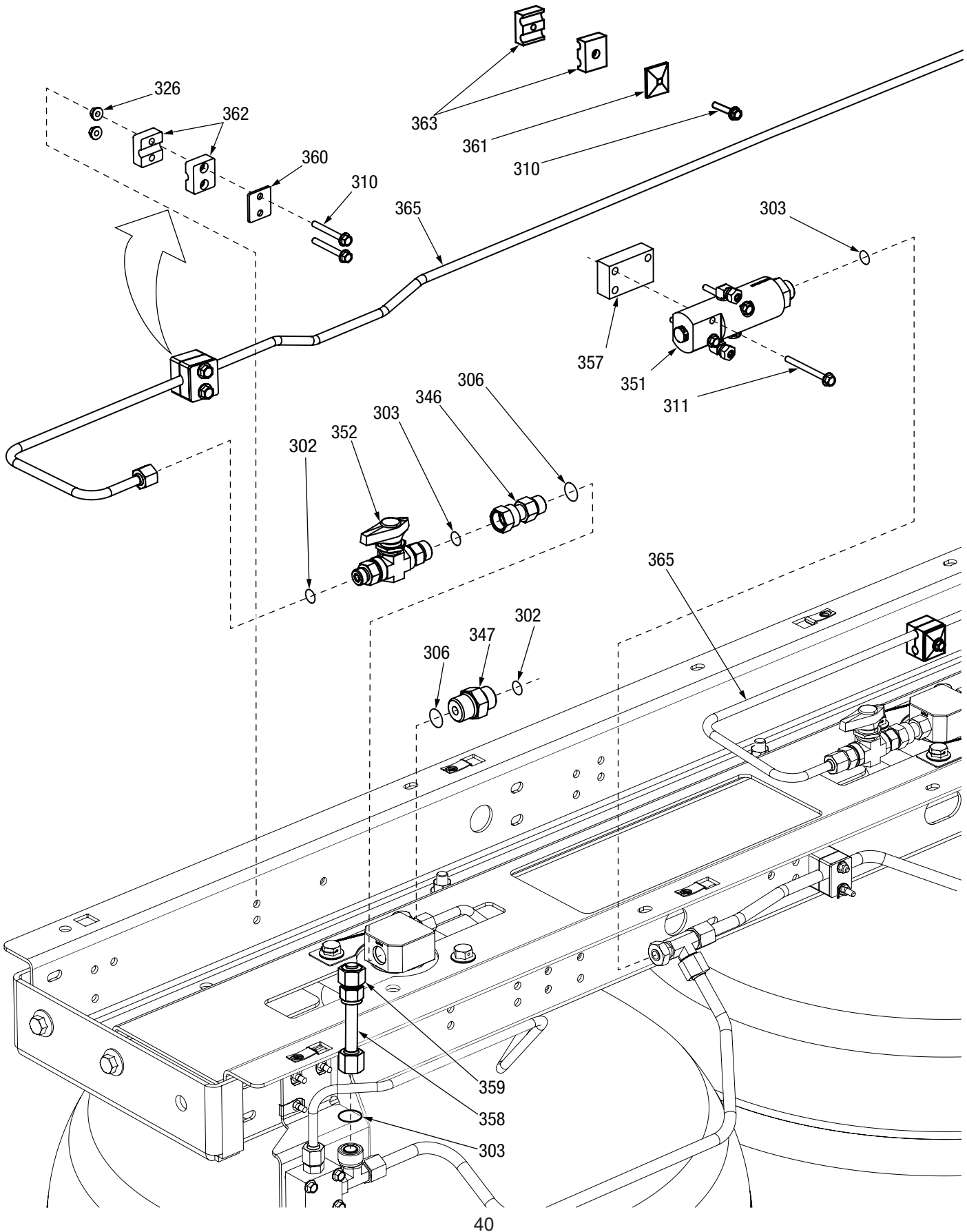
VP Trailer Cylinder Supports & Cross Members
10' (G1-G2) Fuel Transfer



Cylinder Locations



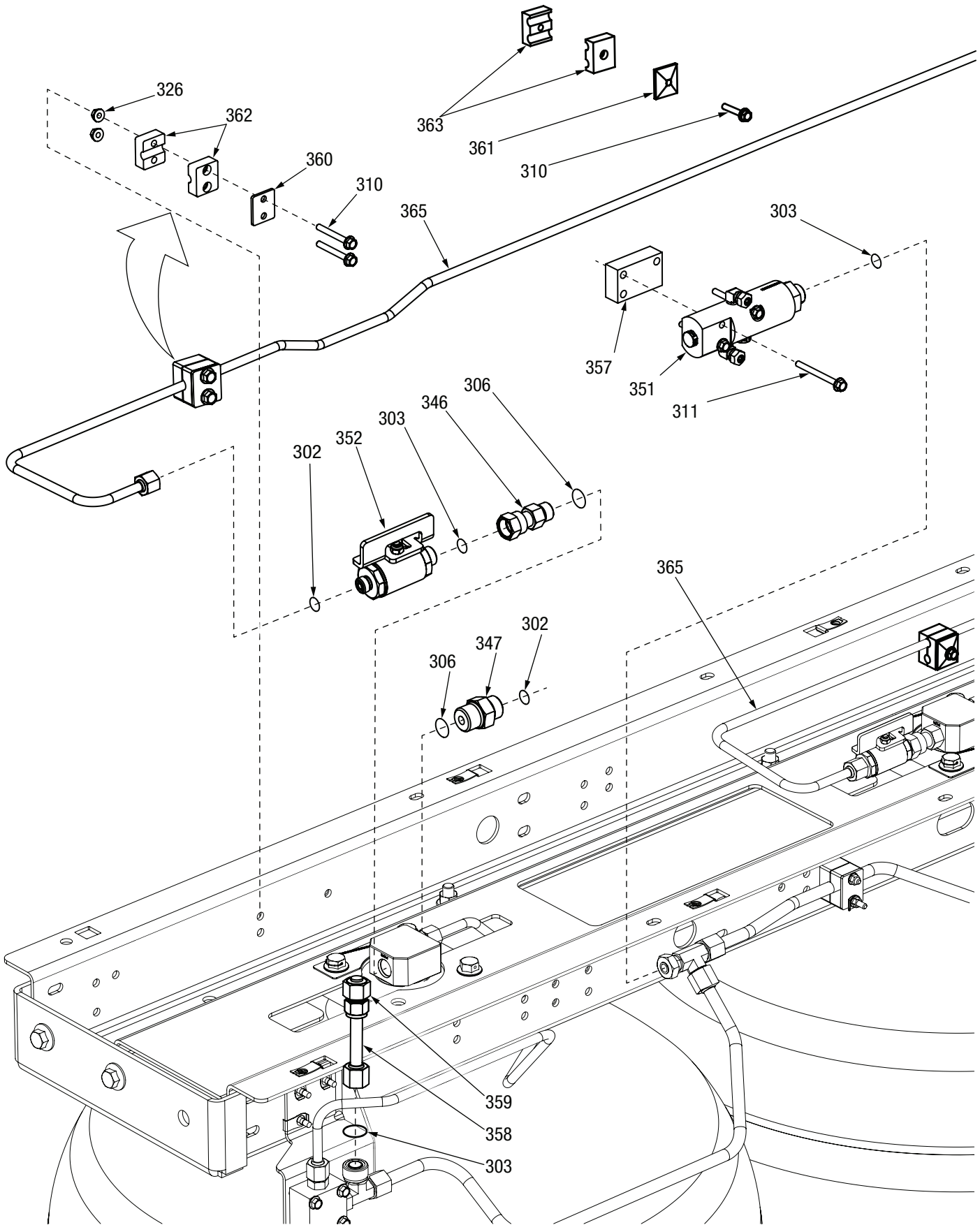
VP Trailer Cylinder Supports & Cross Members
20' (G1-G2), 40' (G1-G2), & 45' (G5-G7) Fuel Transfer



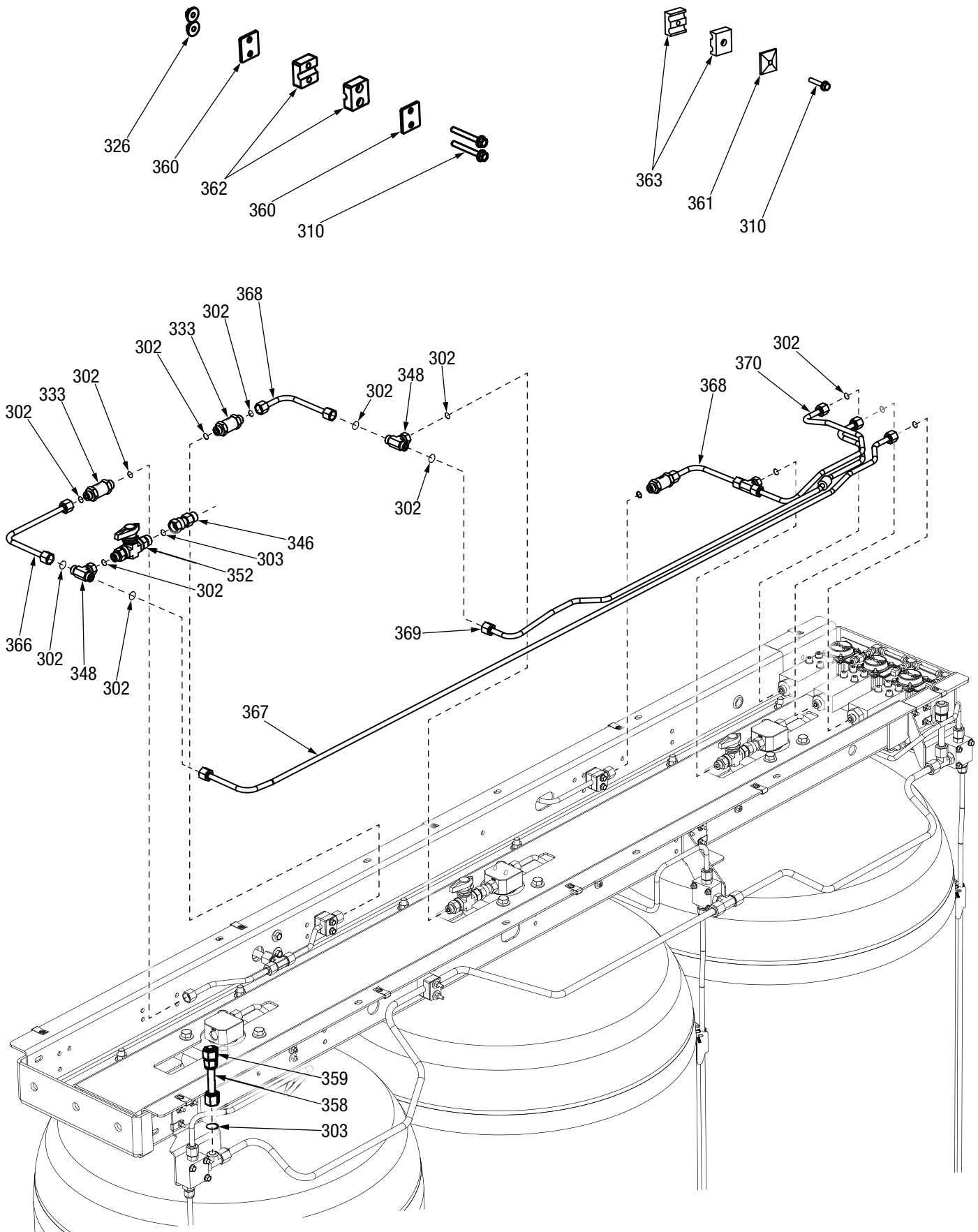
20' (G1-G2), 40' (G1-G2), & 45' (G5-G7) Fuel Transfer (Cont)

Item	Qty	Quantum Part No.	Gen	Description
302	3	117997-012		O-RING-ORFS-6, LOW TEMP
303	5	117997-014		O-RING-ORFS-8, LOW TEMP
306	3	117997-908		O-RING-SAE-8, LOW TEMP
310	5	S1-20370-020		BOLT- HEX FLANGE, M6 X 50
311	3	S1-20370-022		BOLT- HEX FLANGE, M6 X 65
326	10	N1-20300-002		NUT- CRIMP LOCK, HEX FLANGE, M6
346	3	102917-002		FITTING- ADPT, SAE TO ORFS, SS, -8
347	3	118226-007		FITTING- UNION, SAE TO ORFS, 8-6
351	1	119383	45' G6-G7 40' G2-G3	VALVE ASM- PRD ACTIVATION SENSING (PAS)
352	3	118748-001		VALVE- 1/4 TURN, HYLOK, -6/-8
	A/R	119540		HANDLE- 1/4 TURN, HYLOK, BLUE
	3	121498-001		VALVE ASM-1/4 TURN, -6, OASIS
	3	121111-003		VALVE- 1/4 TURN, OASIS, H2, -6
357	1	119770		SPACER- PAS VALVE
358	1	121003		PIPE ASM- PRD VENT, W/CAP, 1/2"
359	1	116941		CAP- VENT OPENING, PRD, 1/2"
360	1	118686-002		PLATE- SUPPORT, 1/2" PIPE MOUNT, SINGLE
361	1	118001-001		PLATE- SUPPORT, 1/2" PIPE MOUNT, DOUBLE
362	2	118025-003		INSULATOR- SUPPORT, 3/8" TUBE
	2	117019-001		SUPPORT- PIPE ASM, 1/2"
363	4	117999-002		INSULATOR- SUPPORT, 3/8" TUBE, DOUBLE
365	1	119154		PIPE ASM- CYL MSV, VP, LH, W/CHILL FILL, W/O CK VLV
	1	119153		PIPE ASM- CYL MSV, VP, CTR, W/CHILL FILL, W/O CK VLV
	1	119152		PIPE ASM- CYL MSV, VP, RH, W/CHILL FILL, W/O CK VLV
	1	121542	40' G2-G3	PIPE ASM- CYL MSV, VP, RH, W/Q-SUB VLV & COMPACT TK HD
	1	121544	40' G2-G3	PIPE ASM- CYL MSV, VP, LH, W/Q-SUB VLV & COMPACT TK HD
	1	121545	40' G2-G3	PIPE ASM- CYL MSV, VP, CTR, ROW 15, W/Q-SUB VLV & COMPACT TK HD
	1	121567	40' G3	PIPE ASM- CYL MSV, VP, RT, W/OASIS VLV & COMPACT TK HD
	1	121568	40' G3	PIPE ASM- CYL MSV, VP, CTR, W/OASIS VLV & COMPACT TK HD
	1	121569	40' G3	PIPE ASM- CYL MSV, VP, LT, W/OASIS VLV & COMPACT TK HD
	1	121570	40' G3	PIPE ASM- CYL MSV, VP, CTR, W/OASIS VLV & COMPACT TK HD, ROW 15

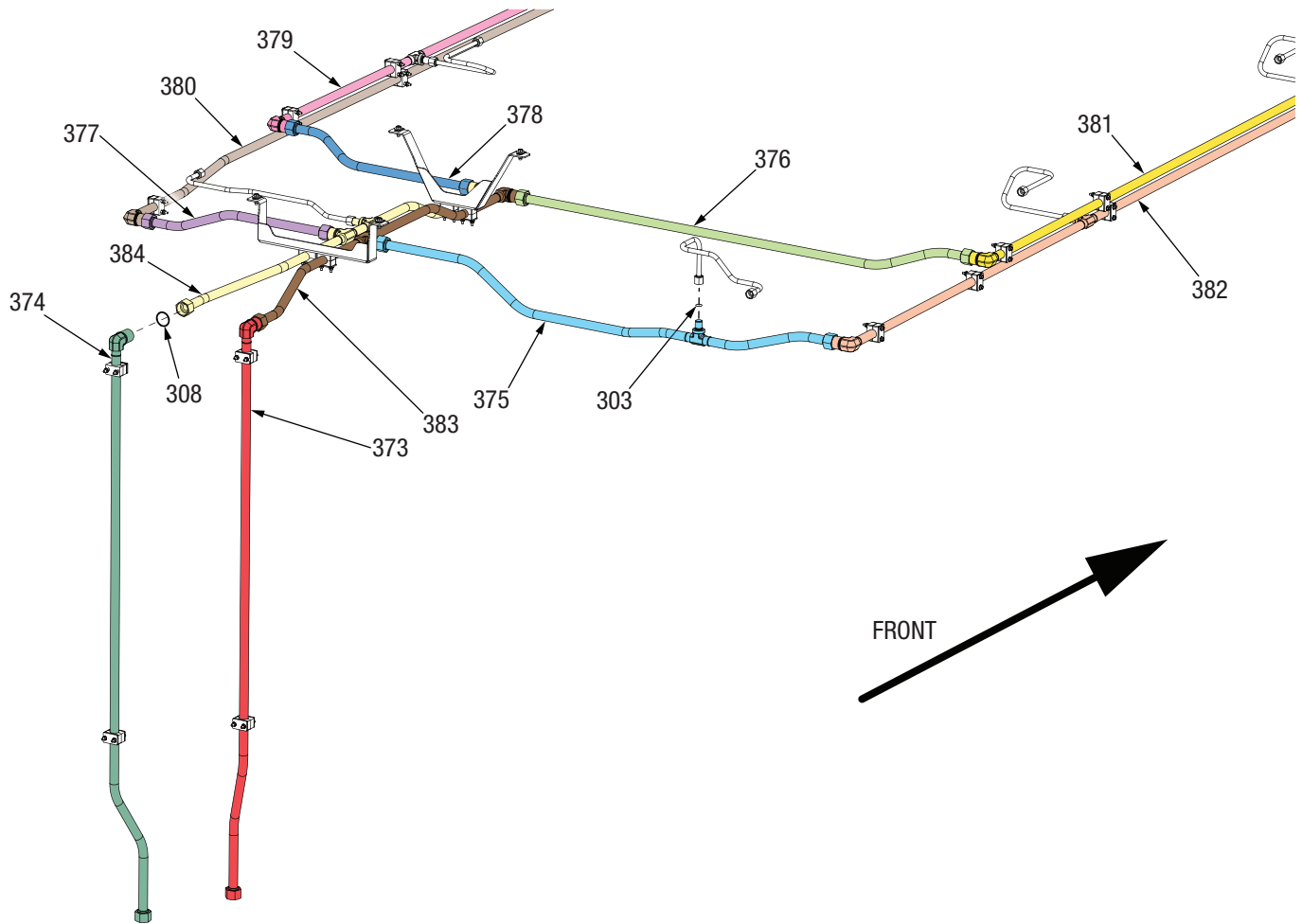
VP Trailer Cylinder Supports & Cross Members
40' (H2) Fuel Transfer



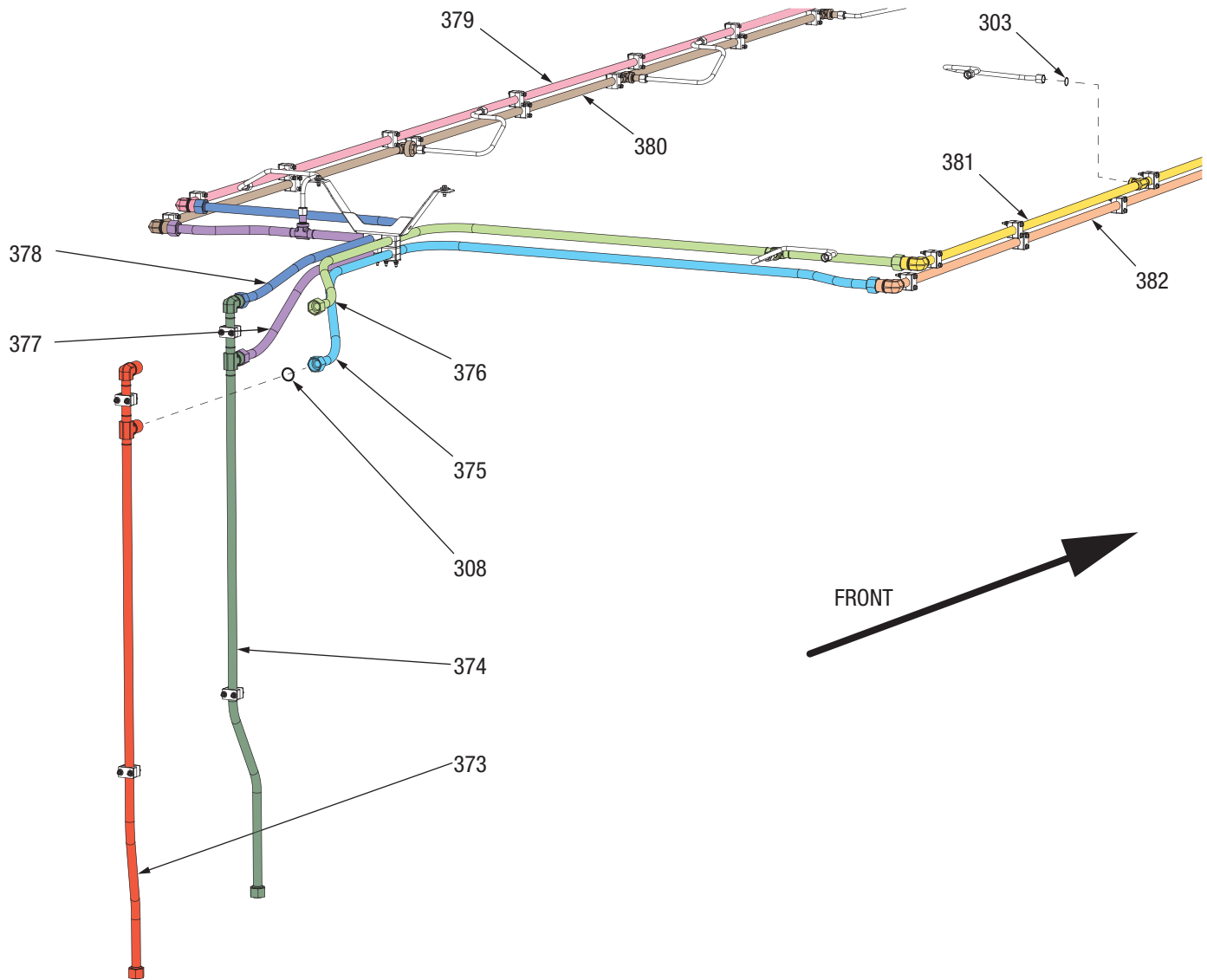
VP Trailer Cylinder Supports & Cross Members
45' (G1-G4) Fuel Transfer



VP Trailer Cylinder Supports & Cross Members
45' (G7) High Flow Pipe Assembly - Trunk / Standard Flow

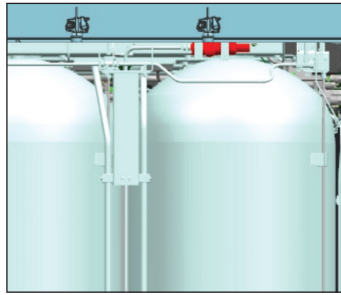


VP Trailer Cylinder Supports & Cross Members
40' Pipe Assembly - Trunk

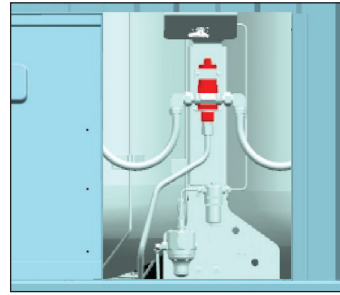


VP Trailer Pressure Relief Valves

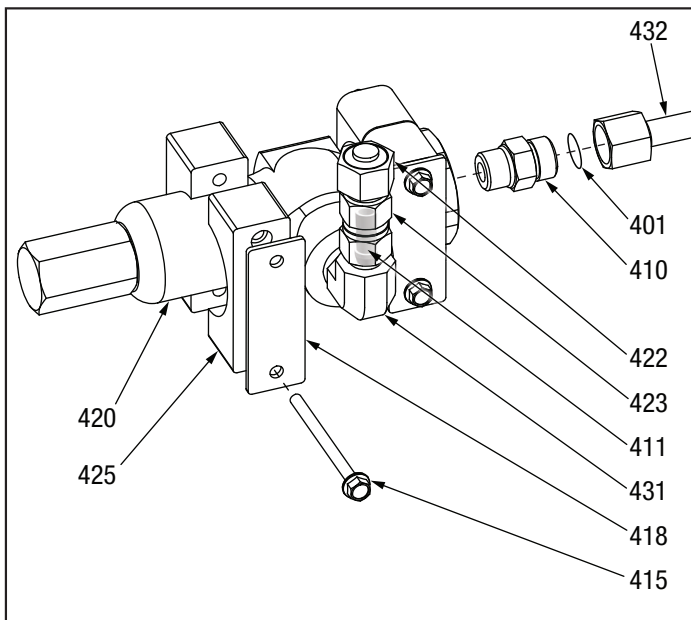
45' VP Trailer Pressure Relief Valves



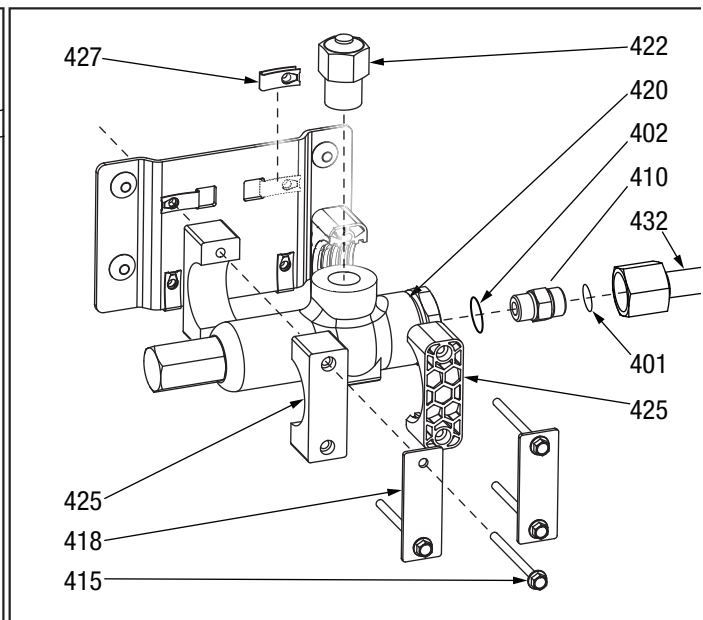
45' VP Trailer / Gen 1 - 5



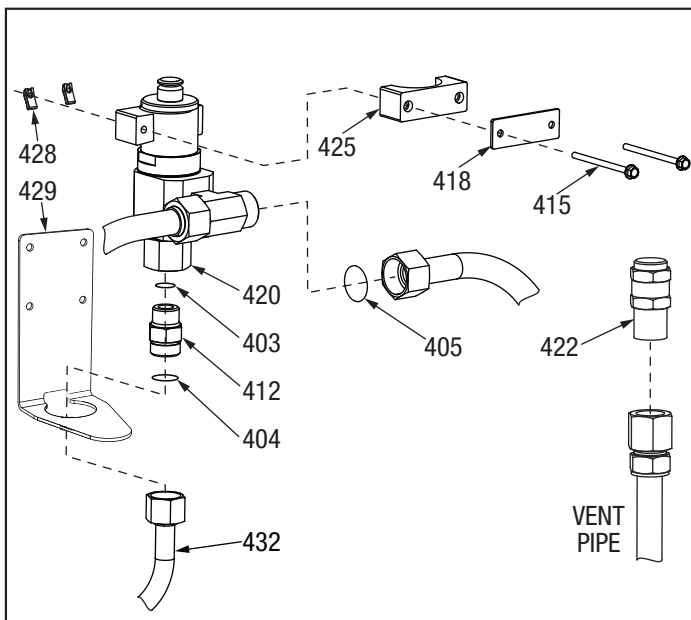
45' VP Trailer / Gen 6 - 7



45' VP Trailer Gen 1 - 3 Version Shown (Others Similar)



45' VP Trailer Gen 4 - 6 Version Shown (Others Similar)



45' VP Trailer Gen 7 Version Shown (Others Similar)

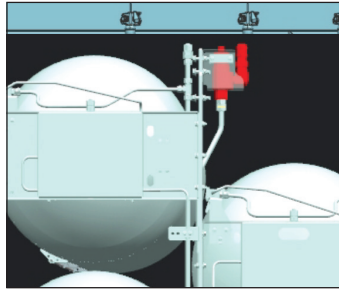
NOTE: Trailers built after June 2022 use brass fittings.

45' VP Trailer Pressure Relief Valves (Cont)

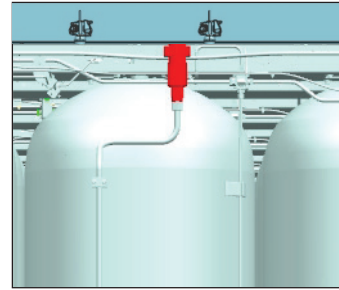
Item	Qty	Quantum Part No.	Gen	Description
401	1	117997-014		O-RING-ORFS-8, LOW TEMP
402	1	117997-908		O-RING-SAE-8, LOW TEMP
403	1	117997-912		O-RING-SAE-12, LOW TEMP
404	1	117997-018		O-RING-ORFS-12, LOW TEMP
405	1	117997-021		O-RING-ORFS-16, LOW TEMP
410	1	118226-003	G4-G5	FITTING- UNION, SAE TO ORFS, -8
	1	118218-005	G1-G3	FITTING- ADAPTER, NPT TO ORFS, -8, SS
411	1	103976-002		FITTING- PORT CONNECTOR 1/2"
412	1	118226-018		FITTING- UNION, SAE TO ORFS, -12
415	4	S1-20370-023	G1-G3	BOLT- HEX FLANGE, M6 X 70
	4	S1-20370-024	G4-G5	BOLT- HEX FLANGE, M6 X 80
	2	S1-20370-025	G6-G7	BOLT- HEX FLANGE, M6 X 90
418	2	118686-006	G4-G7	PLATE- SUPPORT, PRV ASM MOUNT
420	1	119186	G1-G3	PRV- VP FILL, FM, NPT IN, 3/4 NPT OUT, 4900 PSI, (151101)
	1	119385	G1-G3	PRV- VP FILL, FM, SAE IN, 3/4 OUT, W/FTGS, 4900 PSI, (FM 151140)
	A/R	119946	G1-G3	PRV ASM- VP FILL, FM, NPT IN, 3/4 OUT, W/FTGS (151101)
	1	119185	G4-G5	PRV- VP FILL, FM, SAE IN. 3/4 OUT, 4900 PSI, (151140)
	1	119446	G7	PRV- VP FILL, MERCER, SAE INLET
	1	121343	G7	PRV, VP FILL, SAE INLET, REMAN (MERCER) REP 119446
422	1	116941	G1-G3	CAP- VENT OPENING, PRD, 1/2"
	1	119384	G4-G6	CAP ASM- PRD VENT, EMCARA
	1	119860	G6-G7	CAP ASM- PRV VENT
423	2	115776-003	G1-G3	FITTING- NUT AND FERRULE SET, 1/2"
425	2	118025-019	G1-G5	INSULATOR- SUPPORT, PRV ASM, 2" SMOOTH
	2	118368	G1-G5	INSULATOR- SUPPORT, PRV ASM, 2", GROOVED
	2	118025-020	G6-G7	INSULATOR- SUPPORT, PRV ASM, 2.25" SMOOTH
427	4	118731-003	G4-G5	NUT- U SHAPE, LOCKING, M6, LONG, 0.8-4.0 MM
428	2	118731-012	G6-G7	NUT- U SHAPE, LOCKING, M8, LONG, 4.0-7.0MM
429	1	120048	G6-G7	BRACKET- SUPPORT, PRV, MERCER, 45', G6/7
431	1	104701-003	G1-G3	FITTING- ELBOW, ADPT, NPT TO COMP, 12-8, SS
432	1	118490	G1-G3	PIPE ASM- PRD INLET, G1-G3, 45'
	1	119387	G4-G5	PIPE ASM- PRD INLET, G4-G5, 45'
	1	120055	G6	PIPE ASM- PRD INLET, G6, 45'
	1	120216	G7	PIPE ASM- PRD INLET, G7, 45'

VP Trailer Pressure Relief Valves

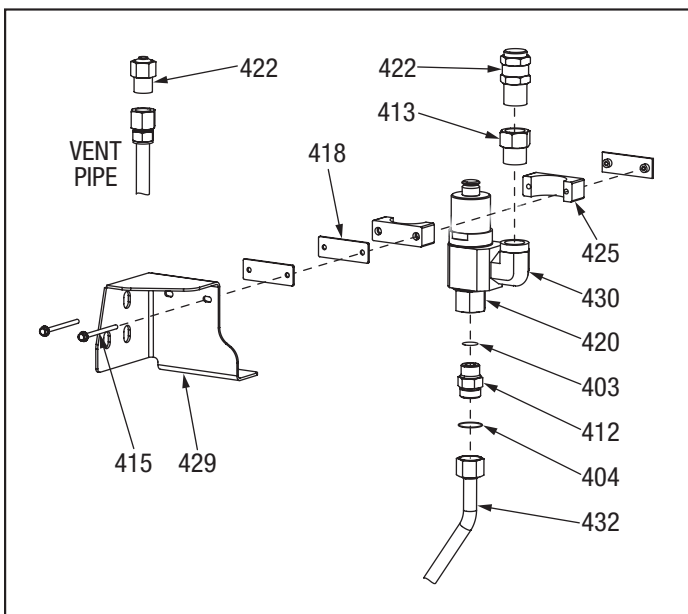
10' (G1), 20' (G1-G2), 40' (G1-G2) Trailer Pressure Relief Valves



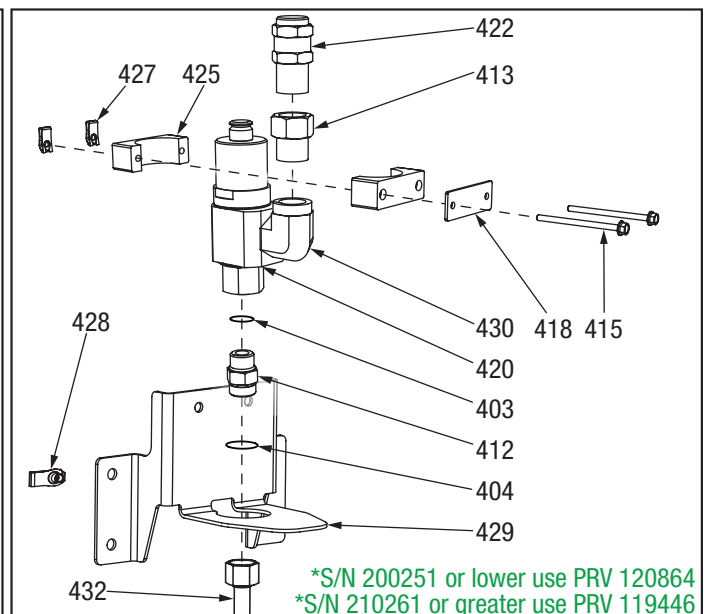
10' VP Trailer / Gen 1



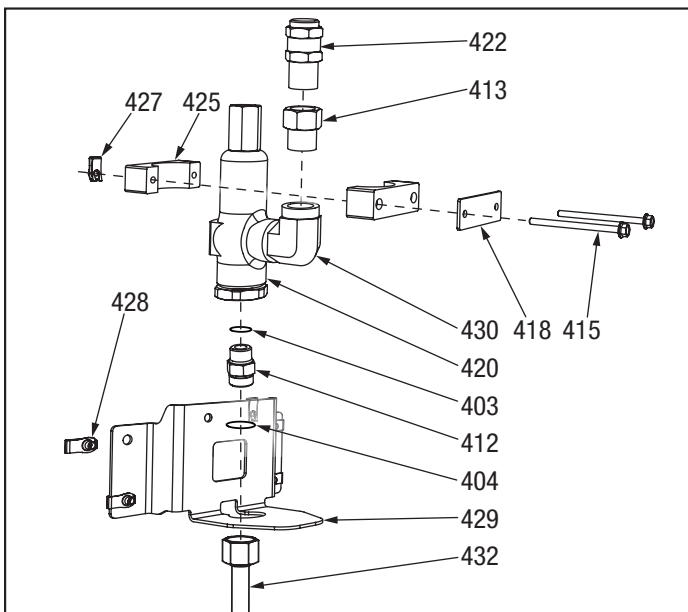
20' & 40' VP Trailer / Gen 1 & 2



10' VP Trailer Gen 1 Version Shown



20' / 40' VP Trailer Gen 1 Version Shown



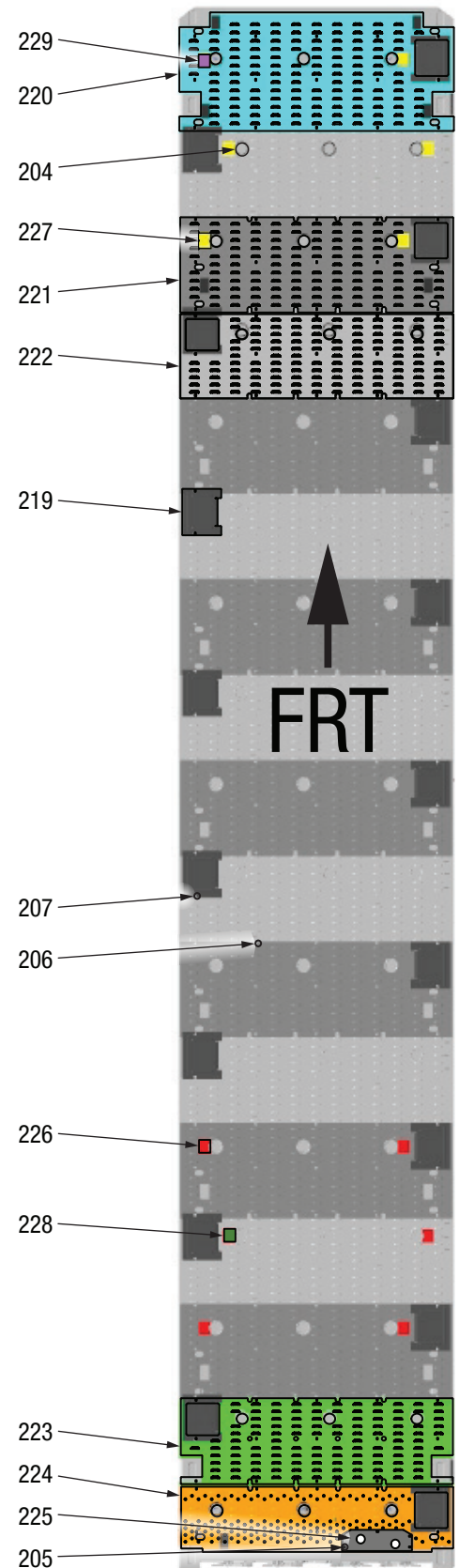
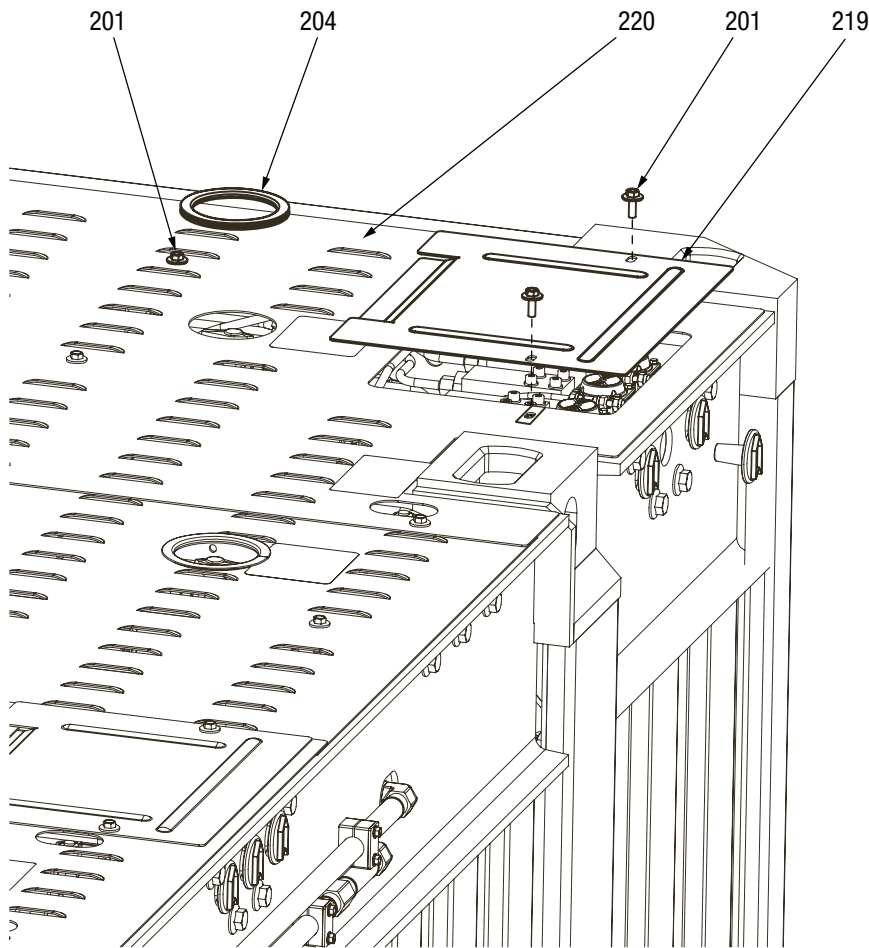
40' VP Trailer Gen 2 Version Shown

10' (G1), 20' (G1-G2), 40' (G1-G2) VP Trailer Pressure Relief Valves (Cont)

Item	Qty	Quantum Part No.	Gen	Description
403	1	117997-912		O-RING-SAE-12, LOW TEMP
404	1	117997-018		O-RING-ORFS-12, LOW TEMP
412	1	118226-018		FITTING- UNION, SAE TO ORFS, -12
413	1	119634-001		FITTING- STRAIGHT ADAPTER, 1" NPT, BRASS
415	2	S1-20370-025	40' G1-G2	BOLT- HEX FLANGE, M6 X 90
	2	S1-20370-025	20' G1	BOLT- HEX FLANGE, M6 X 90
	2	S1-20370-024	10' G1	BOLT- HEX FLANGE, M6 X 80
418	2	118686-006		PLATE- SUPPORT, PRV ASM MOUNT
420	1	119446*	40' G1 20' G1	PRV- VP FILL, MERCER, SAE INLET
	1	120864*	40' G1 20' G1	PRV- VP FILL, FM, SAE IN. 1" OUT, (115340)
	1	120864	40' G2-G3	PRV- VP FILL, FM, SAE IN. 1" OUT, (115340)
	1	119446	10' G1	PRV- VP FILL, MERCER, SAE INLET
	1	121343	G7	PRV , VP FILL, SAE INLET, REMAN (MERCER) REP 119446
422	1	119860		CAP ASM- PRV VENT
	1	119384		CAP ASM- PRD VENT, EMCARA
425	2	118025-020	40' G1	INSULATOR- SUPPORT, PRV ASM, 2.25" SMOOTH
	2	118025-019	40' G2-G3	INSULATOR- SUPPORT, PRV ASM, 2" SMOOTH
	2	118025-020	20' G1	INSULATOR- SUPPORT, PRV ASM, 2.25" SMOOTH
	2	118025-020	10' G1	INSULATOR- SUPPORT, PRV ASM, 2.25" SMOOTH
427	2	118731-003		NUT- U SHAPE, LOCKING, M6, LONG, 0.8-4.0 MM
428	4	118731-008		NUT- U SHAPE, LOCKING, M8, LONG, 0.8-4.0MM
429	1	119825	40' G1	BRACKET- SUPPORT, PRV, MERCER, 20'/40', G1
	1	120866	40' G2-G3	BRACKET- SUPPORT, PRV, FM, 40', G2
	1	119825	20' G1	BRACKET- SUPPORT, PRV, MERCER, 20'/40', G1
	1	119580	10' G1	BRACKET- SUPPORT, PRV, MERCER, 10'
430	1	119927		FITTING- ELBOW, BRASS, NPT, 1", W/DRAIN
432	1	120869	40' G1-G2	PIPE ASM- PRV INLET, 40', VP, W/FM
	1	120037	20'/40' G1	PIPE ASM- PRV INLET, 20'/40', VP, W/MERCER
	1	119600	10' G1	PIPE ASM- PRD INLET, G1, 10'

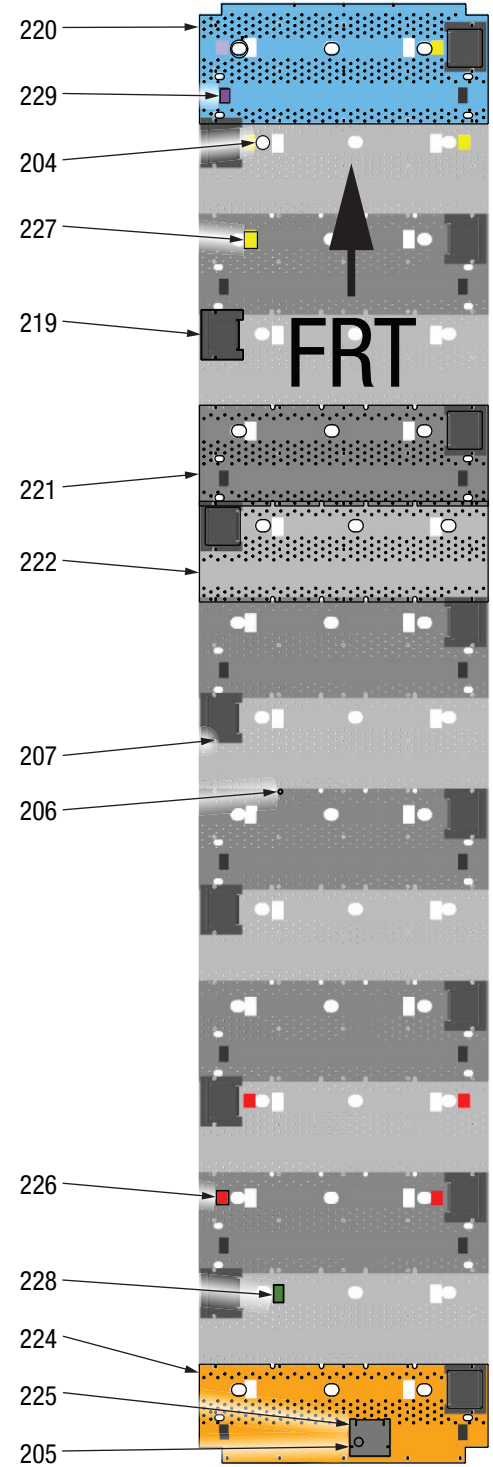
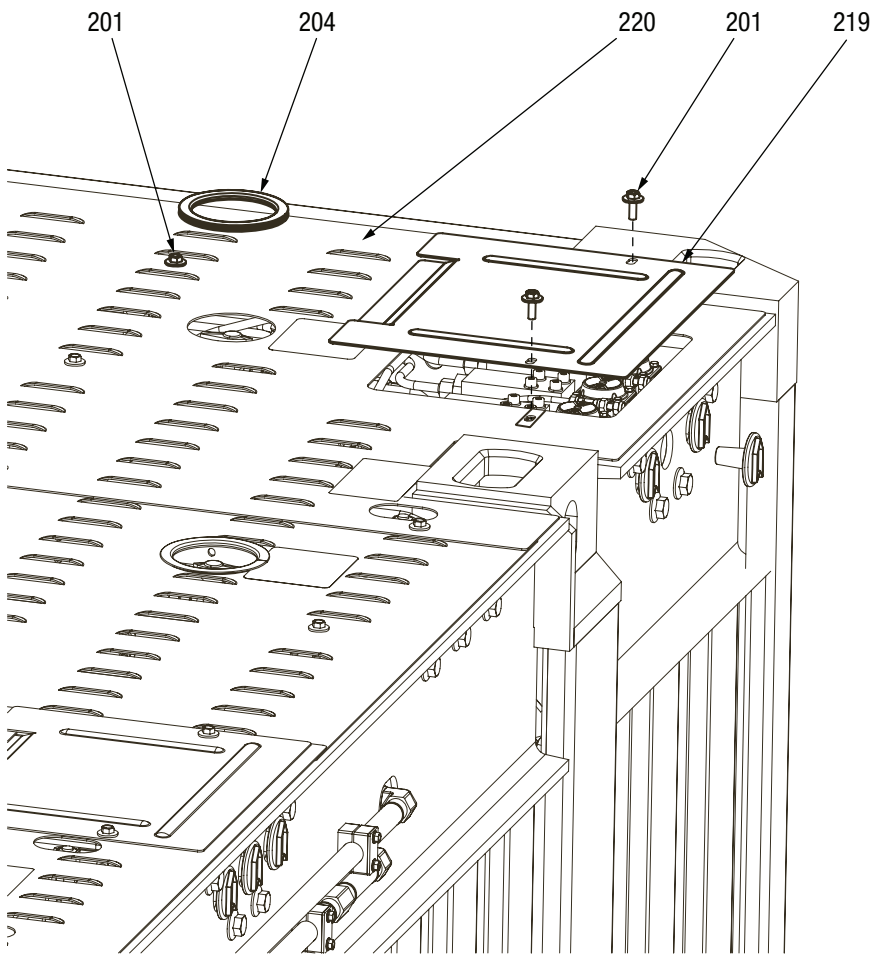
VP Trailer Covers

45' Roof Covers



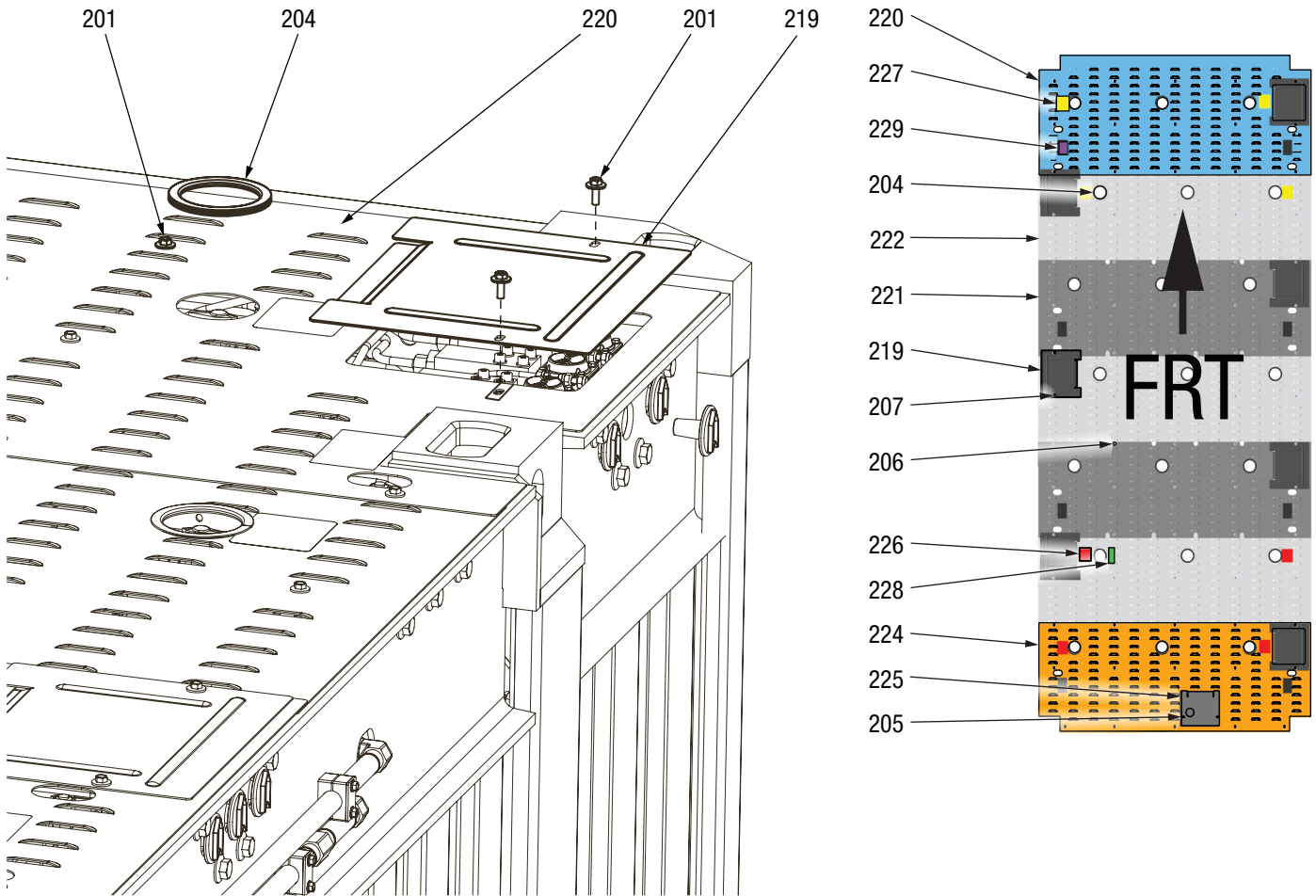
119505	ROOF PANEL KIT, GALV, STANDARD, 45' G1-G6
119506	ROOF PANEL KIT, AL, STANDARD, 45' G1-G6
120987	ROOF PANEL KIT, AL, STANDARD, 45' G7

VP Trailer Covers
40' Roof Covers



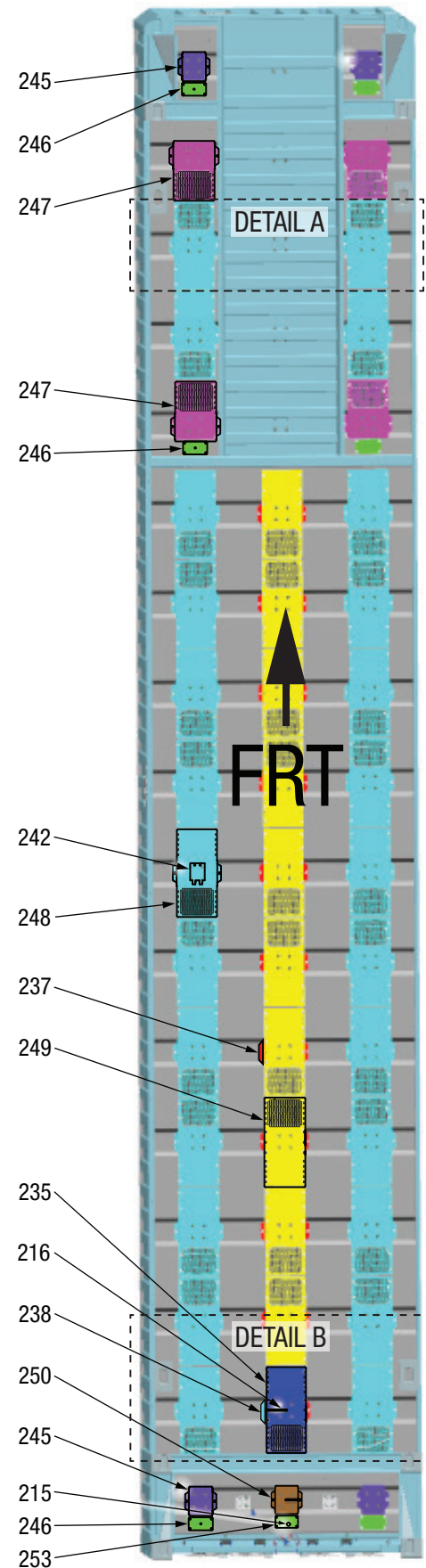
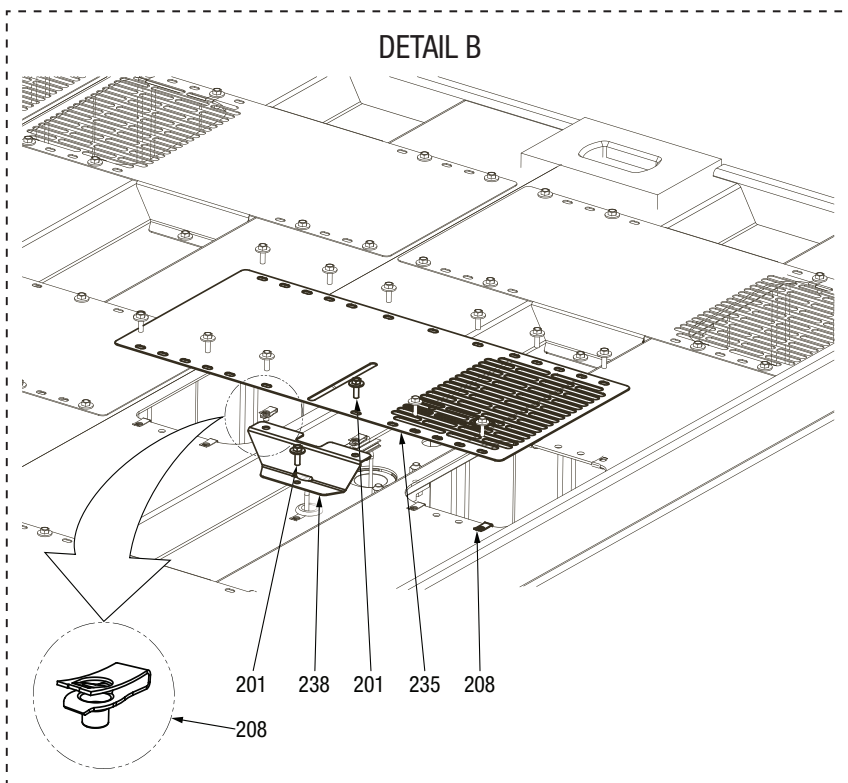
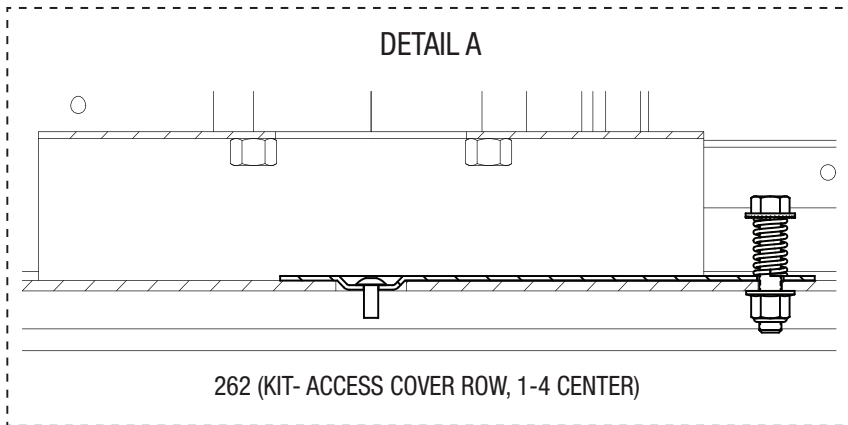
119925	ROOF PANEL KIT, AL, STANDARD, 40' G1
120980	ROOF PANEL KIT, AL, STANDARD, 40' G2

VP Trailer Covers
20' Roof Covers



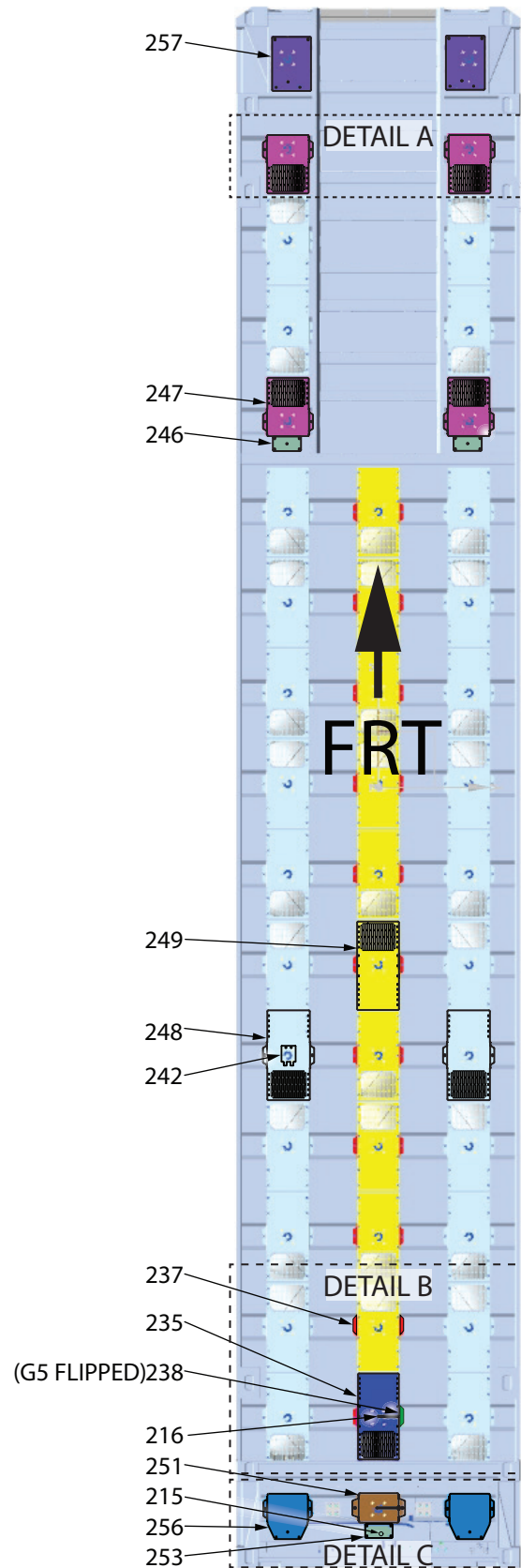
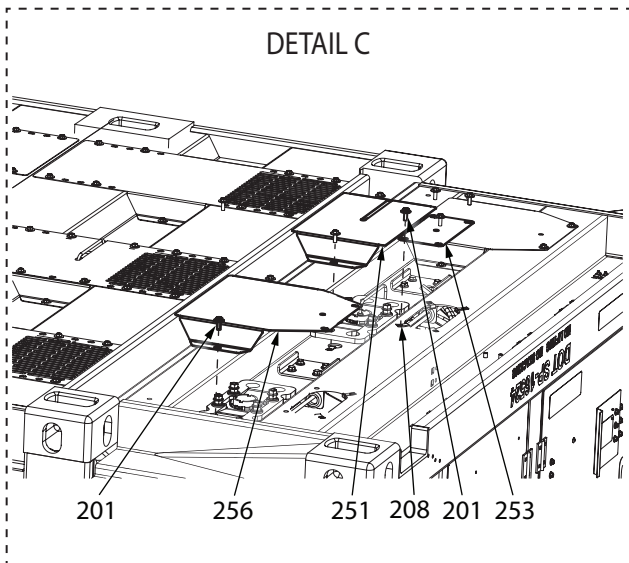
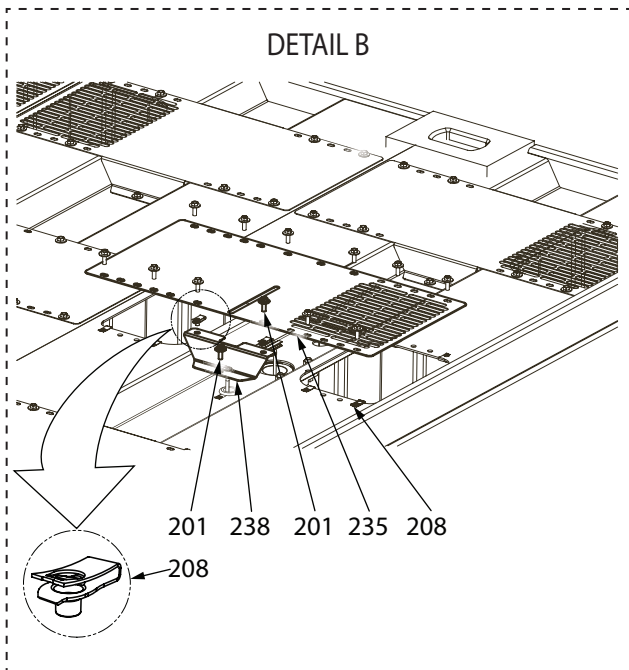
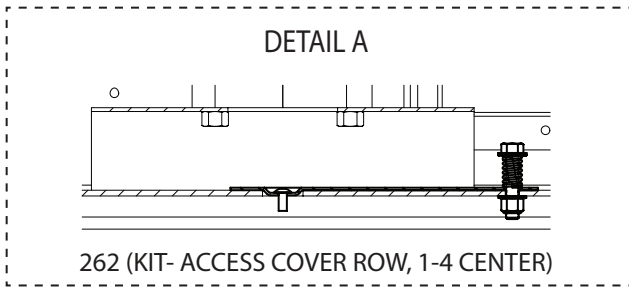
119800	ROOF PANEL KIT, GALV, STANDARD 20'
120597	ROOF PANEL KIT, AL, STANDARD, 20'

VP Trailer Covers (Cont)
45' (G1-G4) Bottom Covers



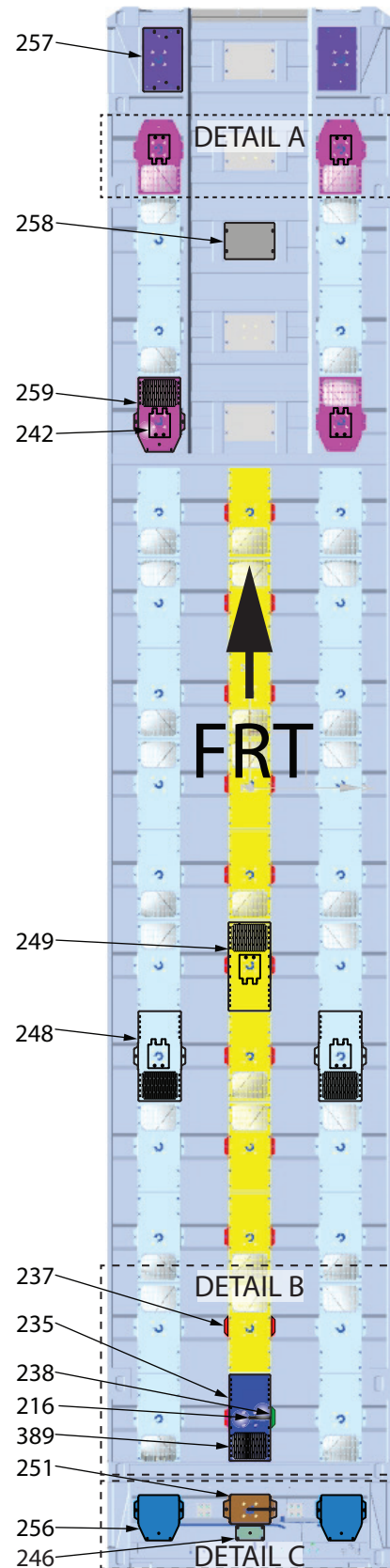
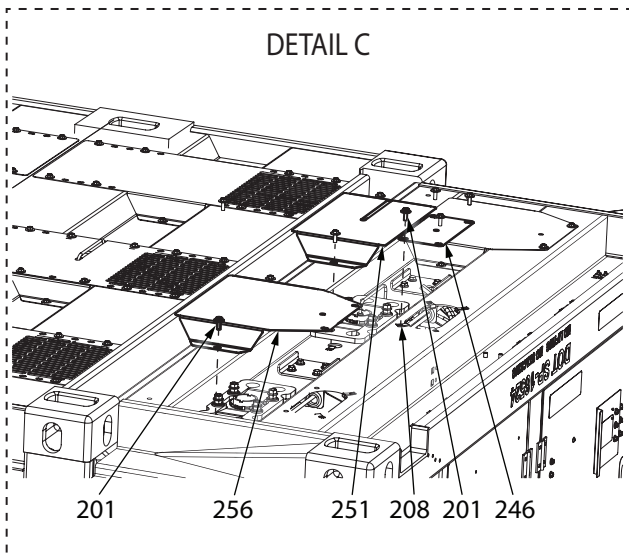
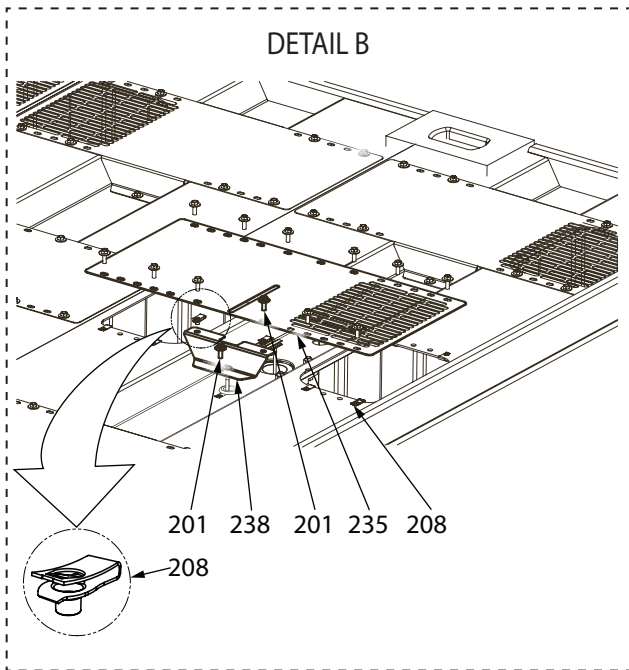
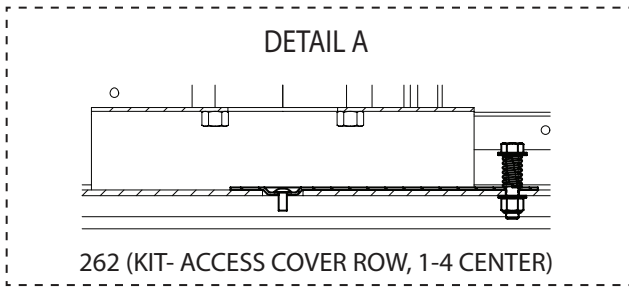
VP Trailer Covers (Cont)

45' (G5-G6) Bottom Covers

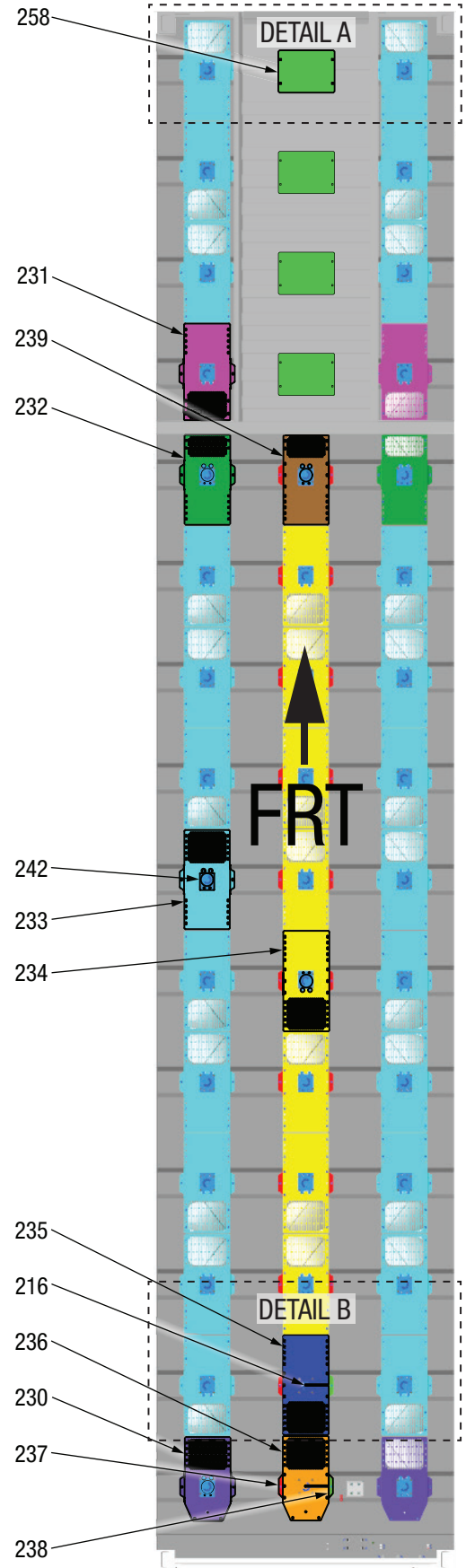
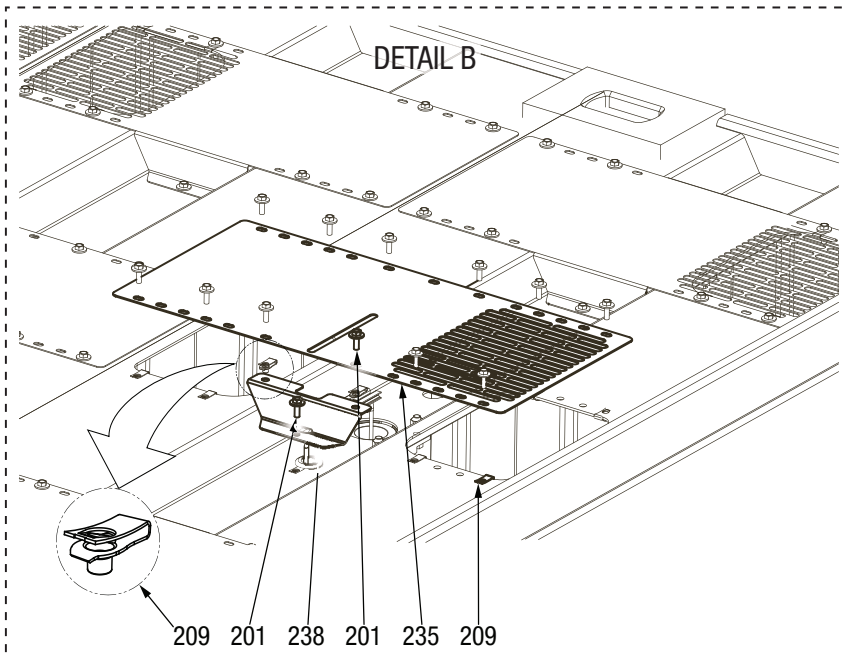
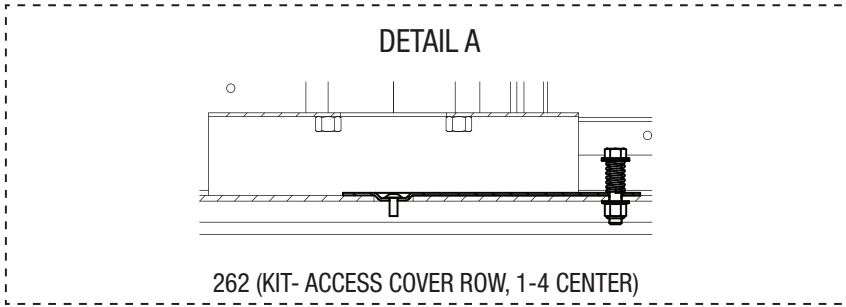


VP Trailer Covers (Cont)

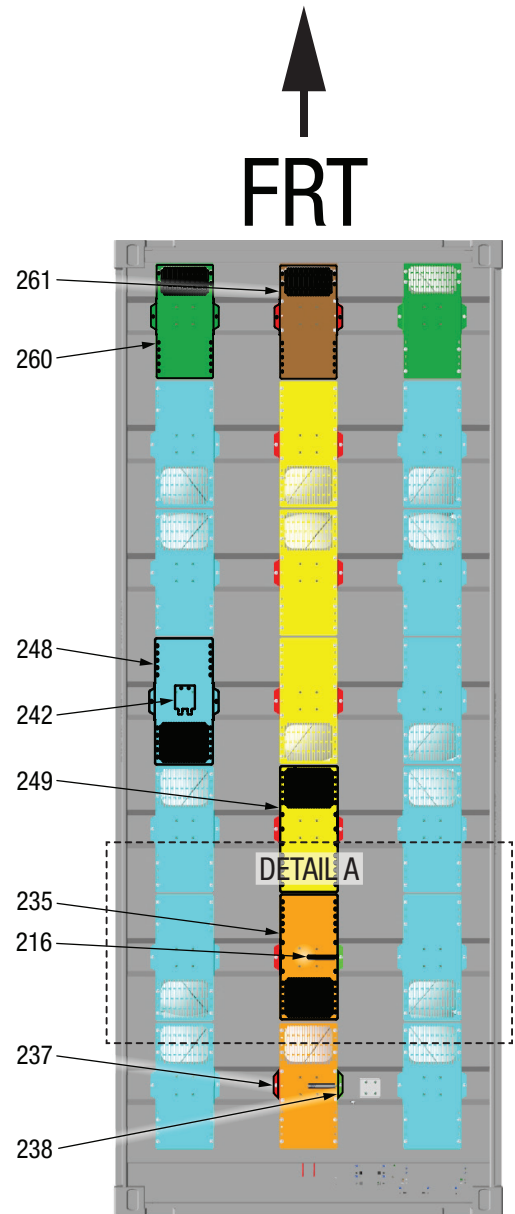
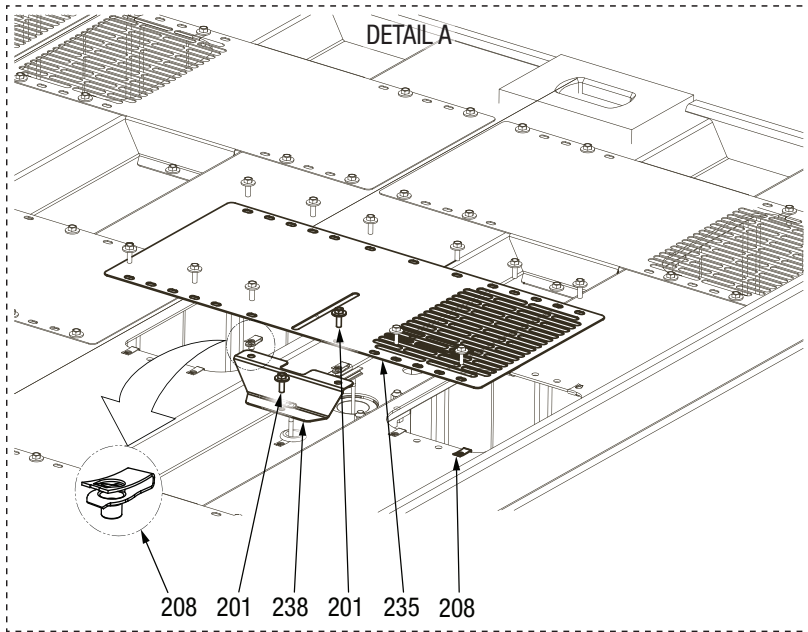
45' (G7) Bottom Covers



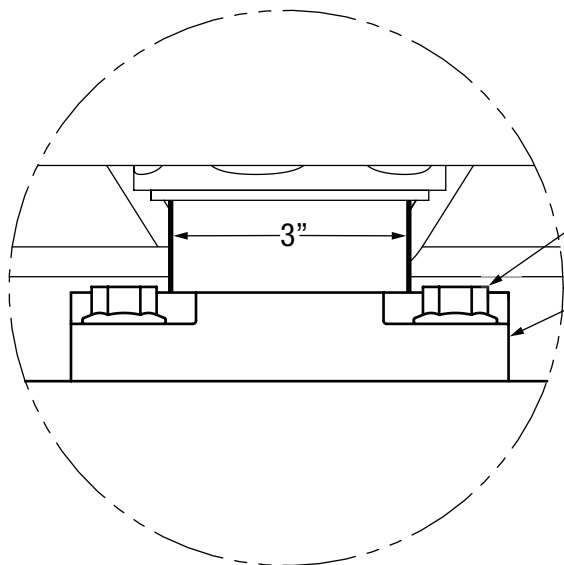
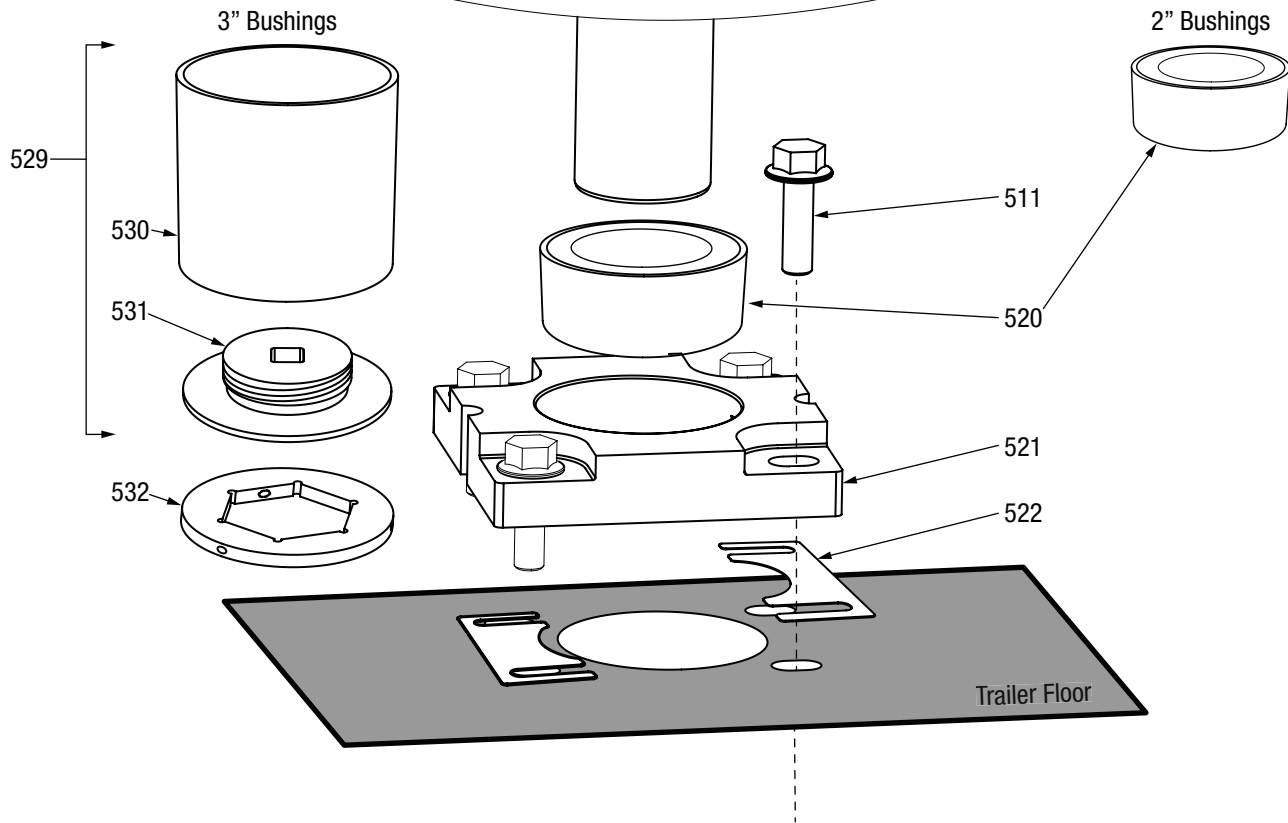
VP Trailer Covers (Cont)
40' (G1-G3) Bottom Covers



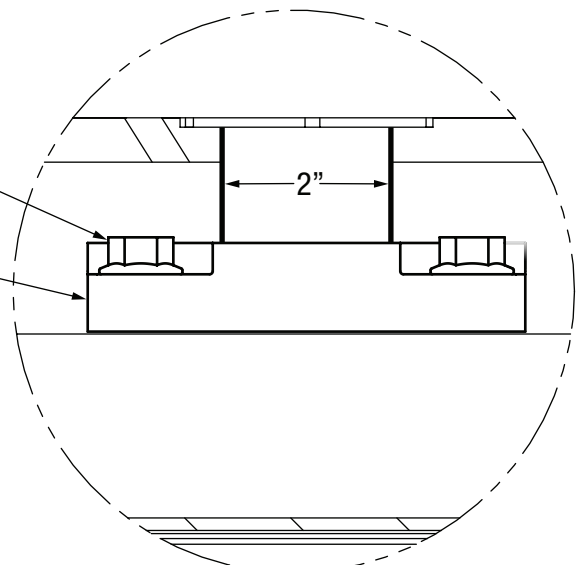
VP Trailer Covers (Cont)
20' (G1-G2) Bottom Covers



VP Trailer Cylinder Supports & Cross Members
Spherical Bearing Repair Parts

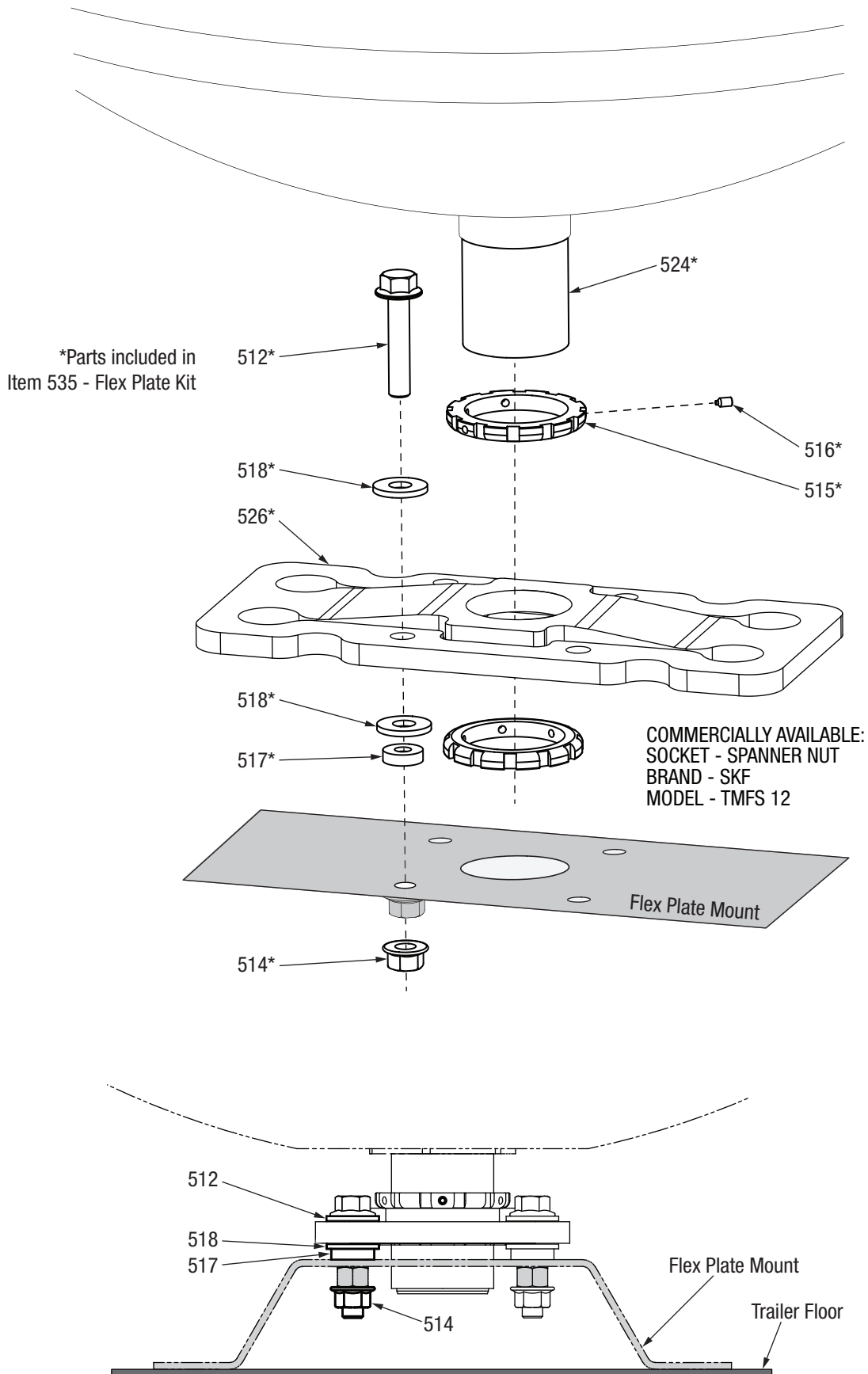


Bushing- Lower Cylinder 3" (Shown)



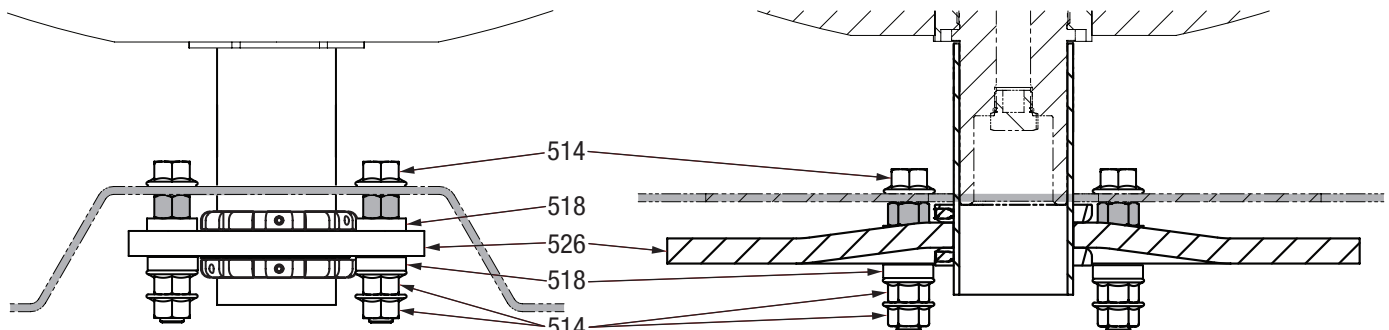
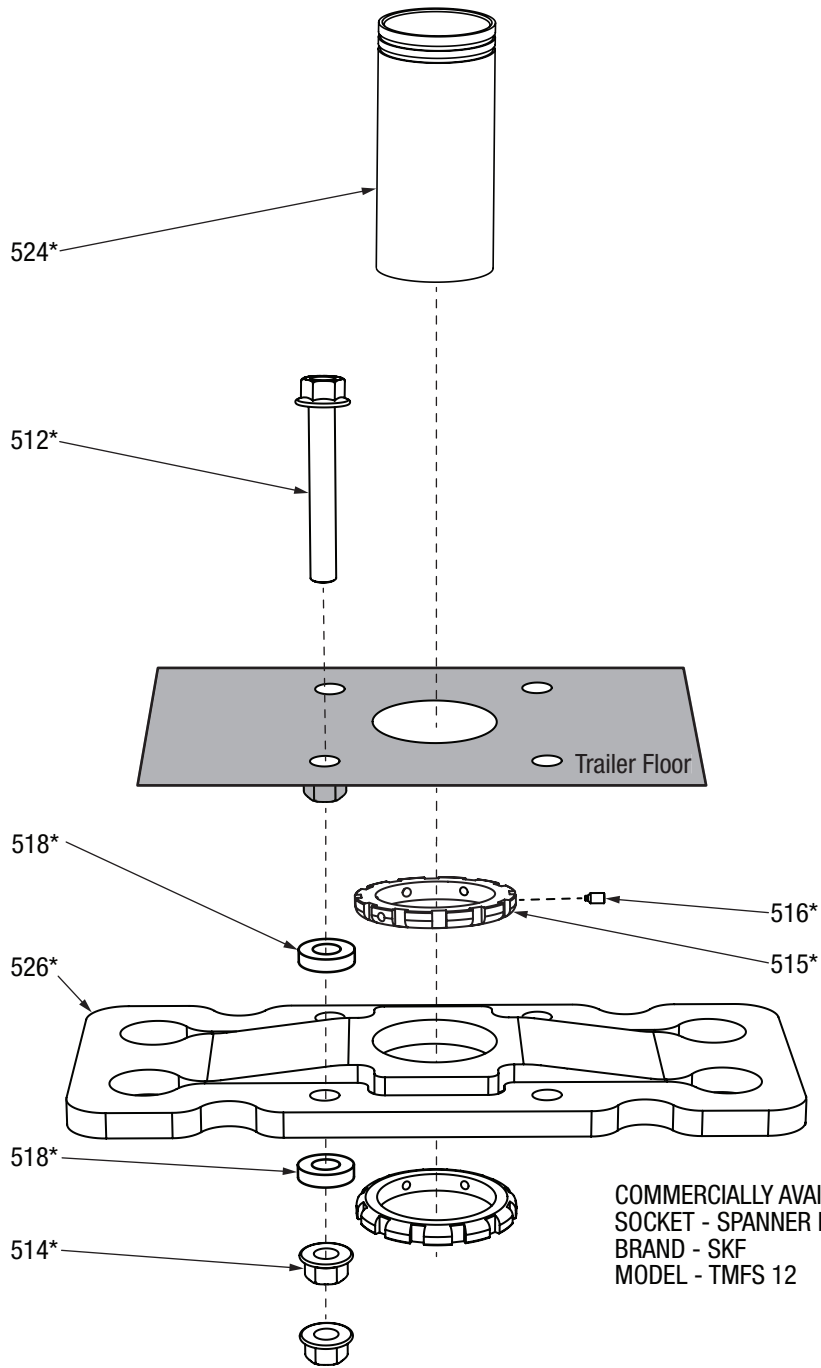
Bushing- Lower Cylinder 2" (Shown)

VP Trailer Cylinder Supports & Cross Members
Flex Plate Repair Parts Production - Bond Sleeve 102"

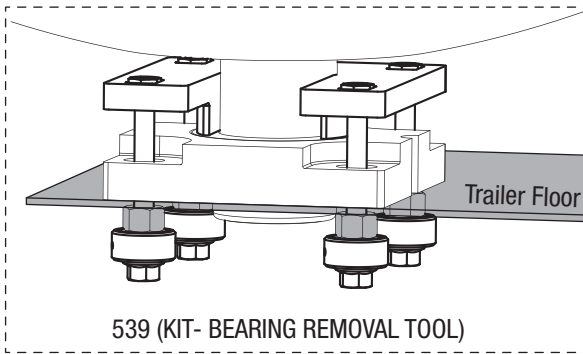


VP Trailer Cylinder Supports & Cross Members
Flex Plate Repair Parts Production - Bond Sleeve 107"

*Parts included in
Item 535 - Flex Plate Kit

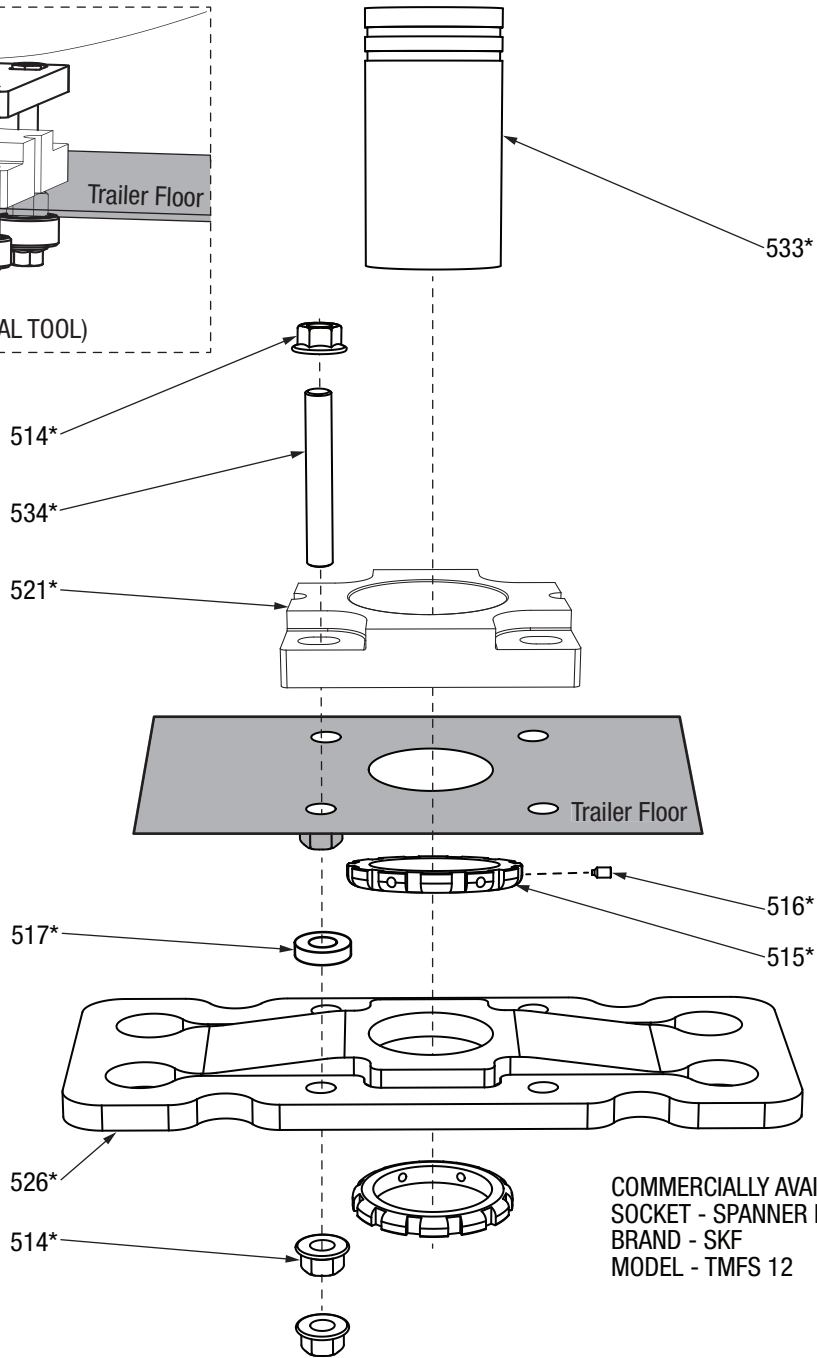


VP Trailer Cylinder Supports & Cross Members
Flex Plate Retrofit - Bushing to Flex Plate

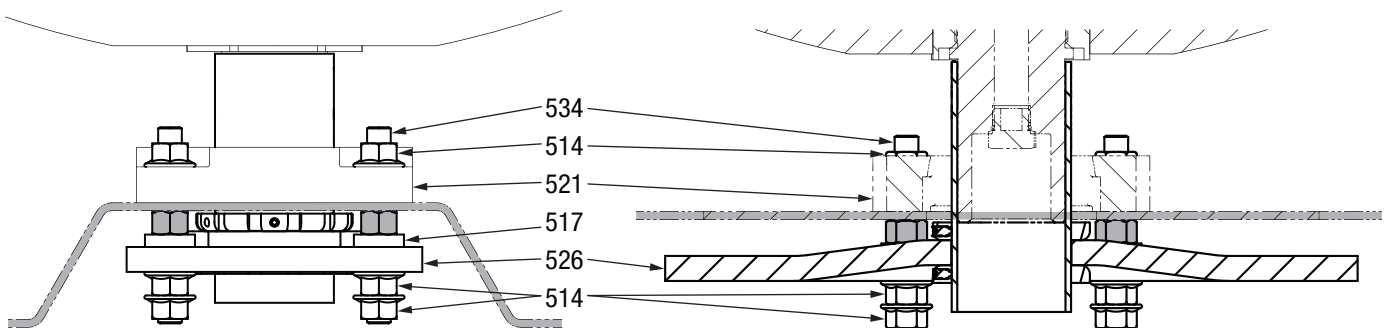


539 (KIT - BEARING REMOVAL TOOL)

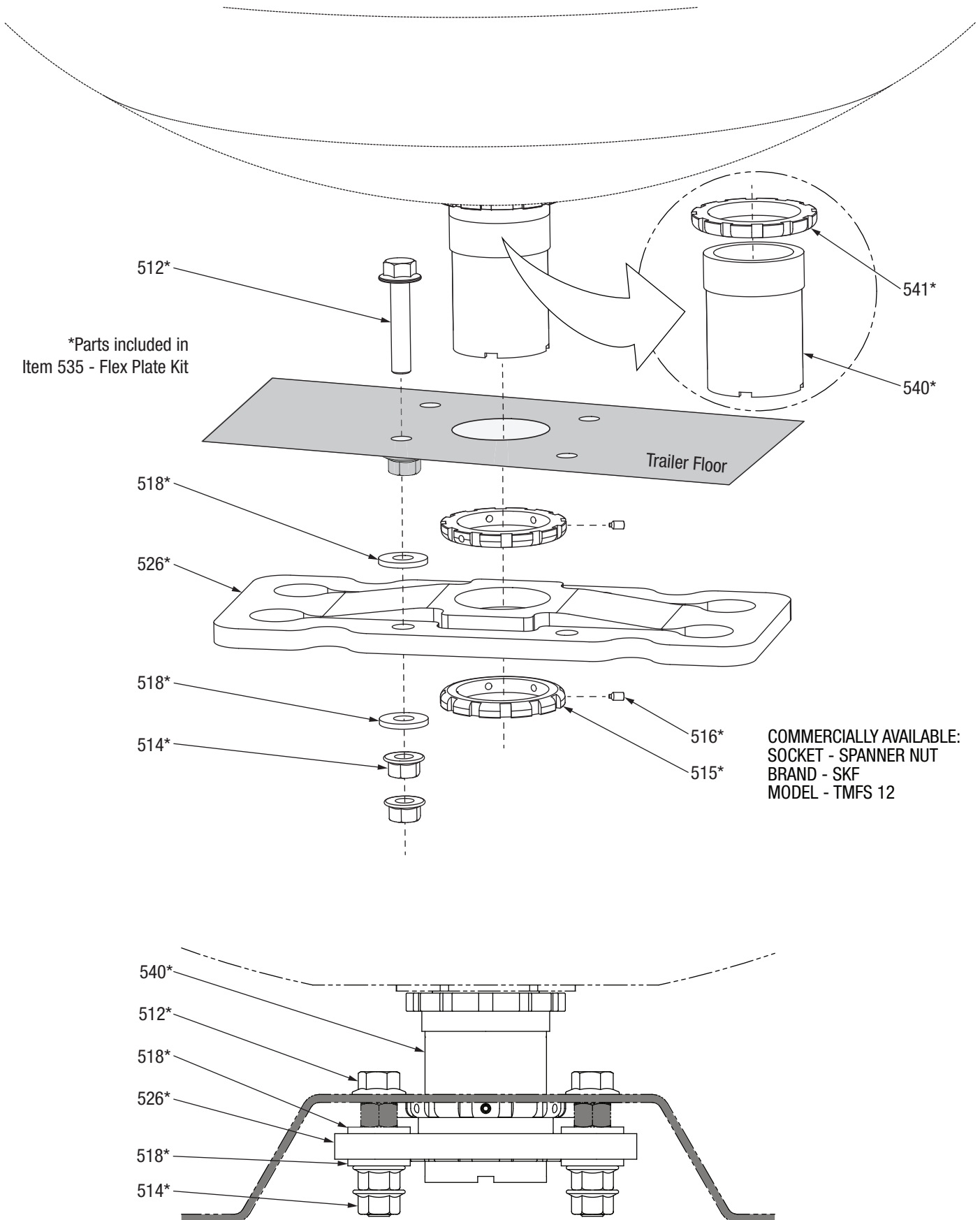
*Parts included in
Item 535 - Flex Plate Kit



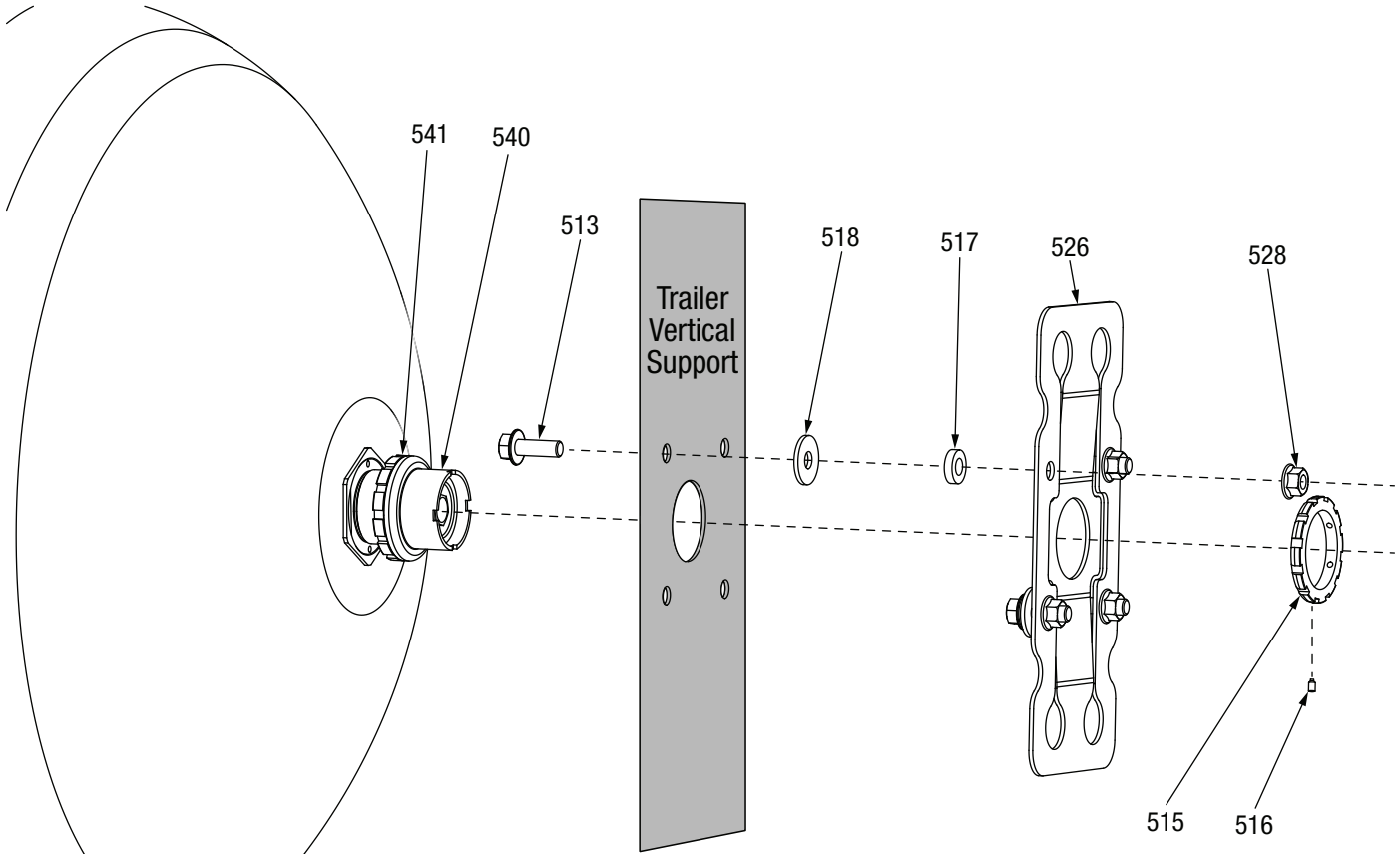
COMMERCIALY AVAILABLE:
SOCKET - SPANNER NUT
BRAND - SKF
MODEL - TMFS 12



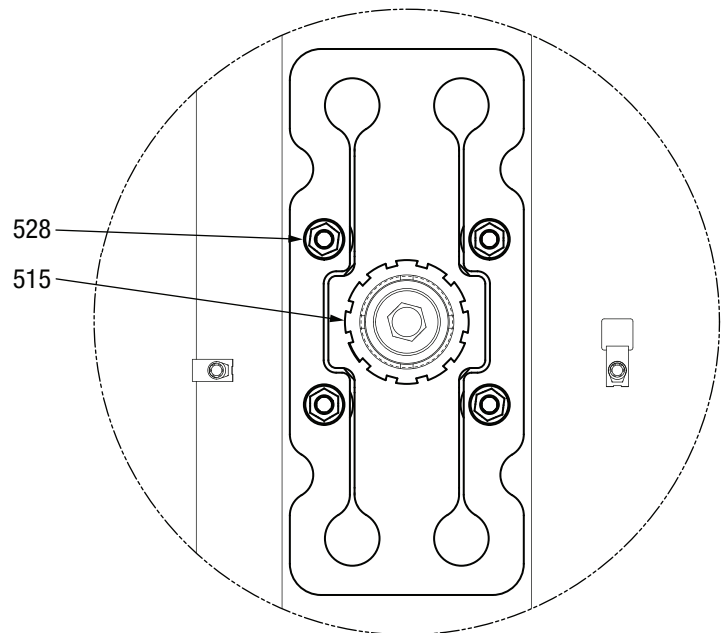
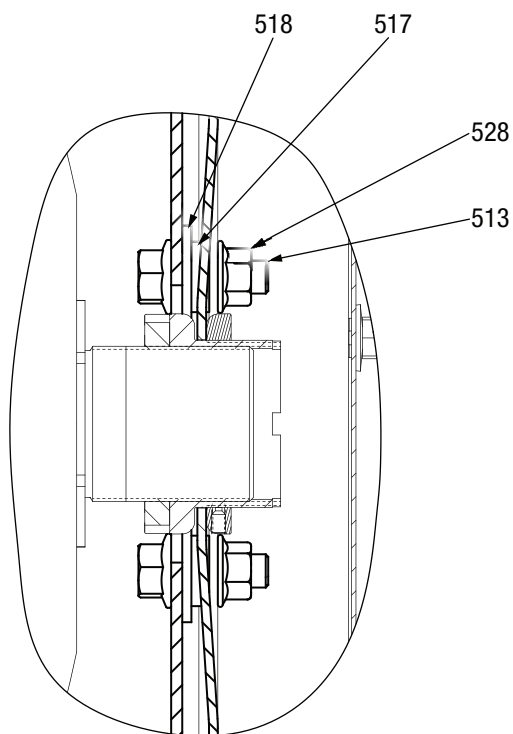
VP Trailer Cylinder Supports & Cross Members
Flex Plate Repair Parts



VP Trailer Cylinder Supports & Cross Members
Flex Plate Repair Parts VP-10



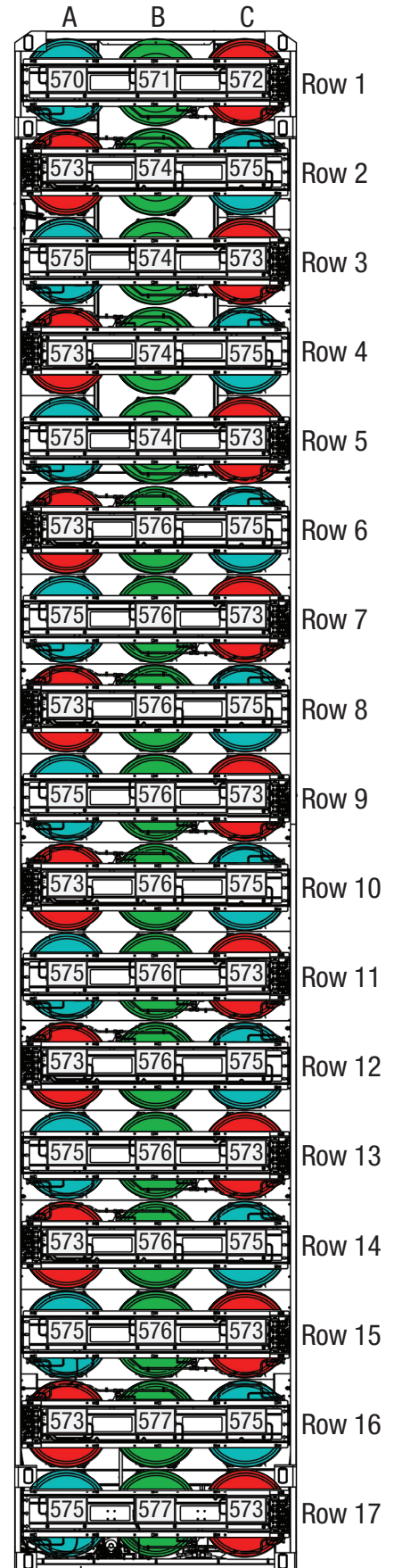
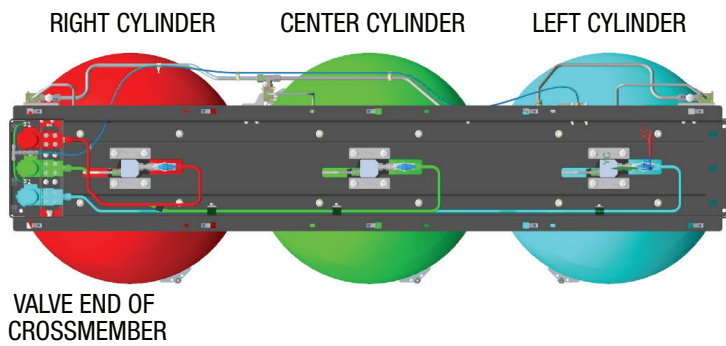
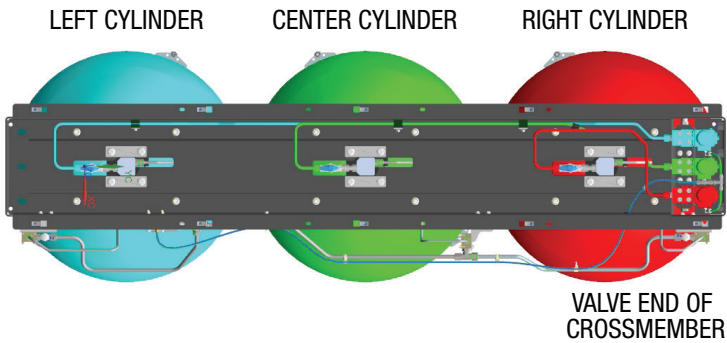
COMMERCIALY AVAILABLE:
SOCKET - SPANNER NUT
BRAND - SKF
MODEL - TMFS 12



VP Trailer Cylinder Supports & Cross Members

45' VP Cylinder Identification & Assemblies

Cylinder orientation is determined by the cylinders proximity to the valve end of the cross member, see the illustrations below:



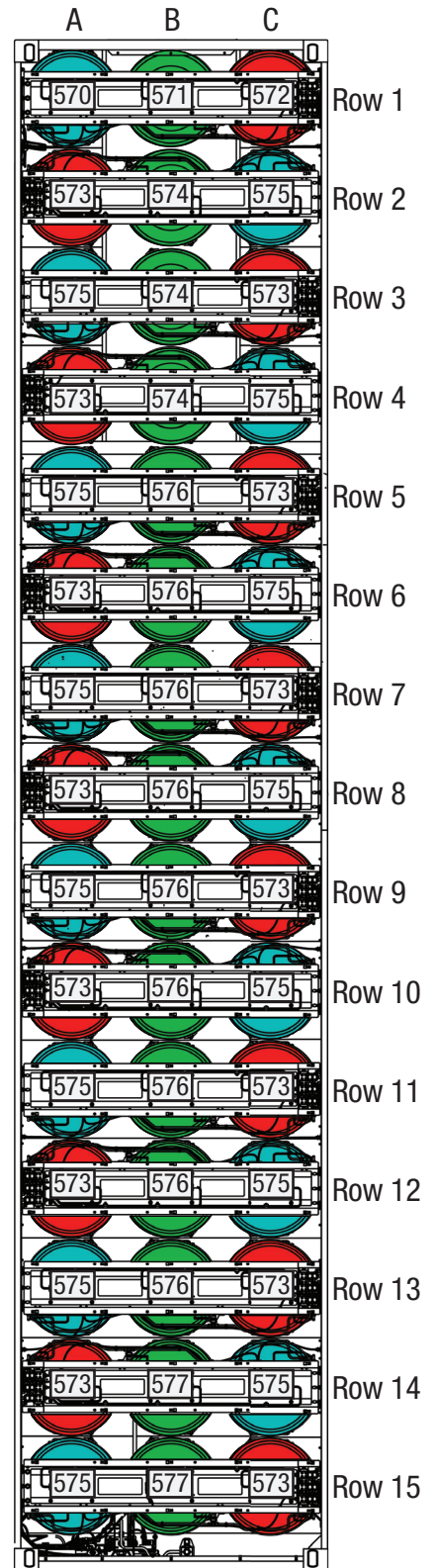
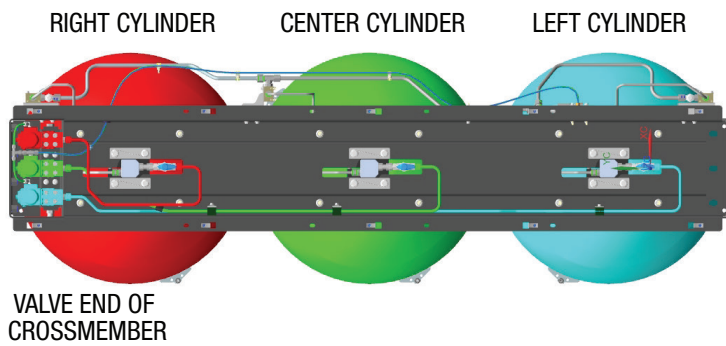
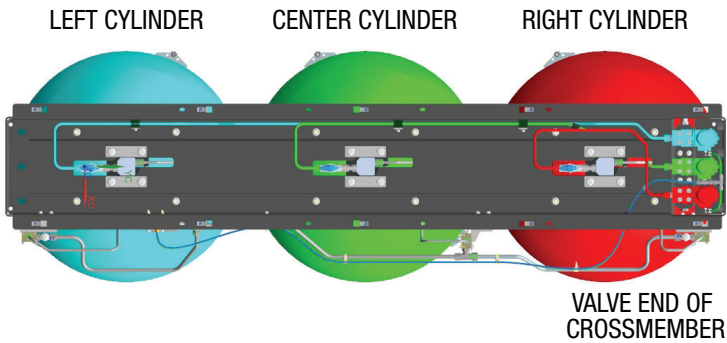
NOTE: Generations 1-4 may require the Flex Plate Retrofit Kit (119497) depending on the replacement cylinder

45' VP Cylinder Identification & Assemblies

Item	Qty	Quantum Part No.	Gen	Description
570	1	120806-005	G6-G7	CYL ASM- 107", ROW 1, LH, W/PRD & VLV, W/DRAIN, CNG
	1	122938	G8	CYLASM- 107", ROW 1, LH, W/PRD & OASIS TK VLV, W/COMPACT TK HD, W/DRAIN, CNG
	1	119508-005	G5	CYL ASM- 107", ROW 1, LH, W/PRD & VLV, CNG
	1	118945	G1-G4	CYL ASM- 107", ROW 1, LH, W/PRD & VLV, CNG
	1	118133	VP 650	CYL ASM- 107", ROW 1, LH, W/PRD & VLV, CNG
571	1	120805-003	G6-G7	CYL ASM- 102", CTR, W/PRD & VLV, W/DRAIN, CNG
	1	121476	G8	CYL ASM- 102", CTR, W/PRD & OASIS TK VLV, W/COMPACT TK HD, W/DRAIN, CNG
	1	119515-003	G5	CYL ASM- 102", CTR, W/PRD & VLV, CNG
	1	119064	G1-G4	CYL ASM- 102", CTR, W/PRD & VLV, CNG
	1	118180	VP 650	CYL ASM- 102", CTR, W/PRD & VLV, CNG
572	1	120807-005	G6-G7	CYL ASM- 107", ROW 1, RH, W/PRD & VLV, W/DRAIN, CNG
	1	122939	G8	CYLASM- 107", ROW 1, RH, W/PRD & OASIS TK VLV, W/COMPACT TK HD, W/DRAIN, CNG
	1	119509-005	G5	CYL ASM- 107", ROW 1, RH, W/PRD & VLV, CNG
	1	118946	G1-G4	CYL ASM- 107", ROW 1, RH, W/PRD & VLV, CNG
	1	118132	VP 650	CYL ASM- 107", ROW 1, RH, W/PRD & VLV, CNG
573	16	120803-005	G1-G7	CYL ASM- 107", RH, W/PRD & HYLOK VLV, W/DRAIN, CNG
	16	121407	G8	CYLASM- 107", RH, W/PRD & OASIS TK VLV, W/COMPACT TK HD, W/DRAIN, CNG
	16	117599	VP 650	CYL ASM- 107", RH, W/PRD & VLV, CNG
574	4	120805-003	G5-G7	CYL ASM- 102", CTR, W/PRD & HYLOK VLV, W/DRAIN, CNG
	4	121476	G8	CYL ASM- 102", CTR, W/PRD & OASIS TK VLV, W/COMPACT TK HD, W/DRAIN, CNG
	4	119065	G4	CYL ASM- 102", CTR, W/PRD & VLV, CNG
	4	118794	G1-G3	CYL ASM- 102", CTR, W/PRD & VLV, CNG
	4	117601	VP 650	CYL ASM- 102", CTR, W/PRD & VLV, CNG
575	16	120802-005	G1-G7	CYL ASM- 107", LH, W/PRD & VLV, W/DRAIN, CNG
	16	121409	G8	CYL ASM- 107", LH, W/PRD & OASIS TK VLV, W/COMPACT TK HD, W/DRAIN, CNG
	16	118131-001	VP 650	CYL ASM- 107", LH, W/PRD & VLV, CNG
576	10	120804-005	G1-G7	CYL ASM- 107", CTR, W/PRD & VLV, W/DRAIN, CNG
	10	121408	G8	CYL ASM- 107", CTR, W/PRD & OASIS TK VLV, W/COMPACT TK HD, W/DRAIN, CNG
	10	118130	VP 650	CYL ASM- 107", CTR, W/PRD & VLV, CNG
577	2	119513-005	G1-G7	CYL ASM- 107", CTR, W/PRD & HYLOK VLV, W/THERM, CNG
	2	122940	G8	CYL ASM- 107", CTR, W/PRD & OASIS TK VLV, W/COMPACT TK HD, W/THERM, CNG
	2	118171	VP 650	CYL ASM- 107", CTR, W/PRD & VLV, W/THERM, CNG

VP Trailer Cylinder Supports & Cross Members
40' VP Cylinder Identification & Assemblies

Cylinder orientation is determined by the cylinders proximity to the valve end of the cross member, see the illustrations below:



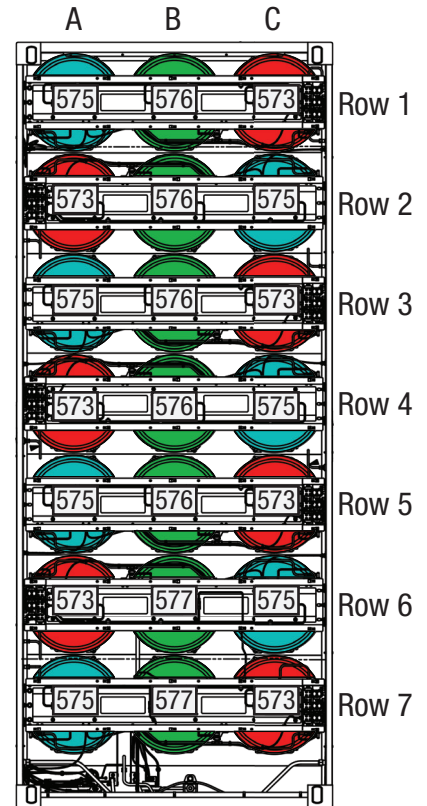
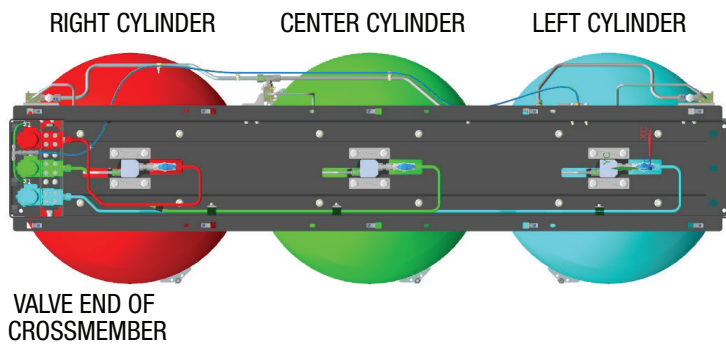
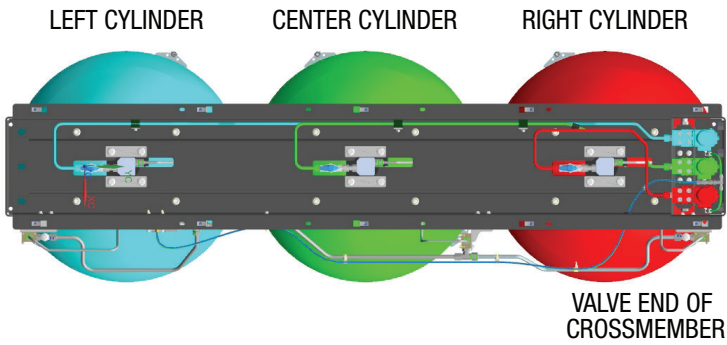
40' VP Cylinder Identification & Assemblies

Item	Qty	Quantum Part No.	Gen	Description
570	1	120802	G2	CYL ASM- 107", LH, W/PRD & HYLOK VLV, W/DRAIN, CNG
	1	121104	H2	CYL ASM- 107", LH, W/PRD & VLV, H2
	1	121409	G3	CYL ASM- 107", LH, W/PRD & OASIS TK VLV, W/COMPACT TK HD, W/DRAIN, CNG
		119510	G1	CYL ASM- 107", LH, W/PRD & HYLOK VLV, W/PLUG, CNG
571	1	120805	G2	CYL ASM- 102", CTR, W/PRD & HYLOK VLV, W/DRAIN, CNG
	1	121108	H2	CYL ASM- 102", CTR, W/PRD & VLV, H2
	1	121506	G3	CYL ASM- 107", CTR, W/PRD & OASIS VLV, W/TEMP, W/COMPACT TK HD, CNG
	1	121476	G3	CYL ASM- 102", CTR, W/PRD & OASIS TK VLV, W/COMPACT TK HD, W/DRAIN, CNG
		119514	G1	CYL ASM- 102", CTR, W/PRD & HYLOK VLV, W/PLUG, CNG
572	1	120803	G2	CYL ASM- 107", RH, W/PRD & HYLOK VLV, W/DRAIN, CNG
	1	121105	H2	CYL ASM- 107", ROW 1, RH, W/PRD & VLV, H2
	1	121407	G3	CYL ASM- 107", RH, W/PRD & OASIS TK VLV, W/COMPACT TK HD, W/DRAIN, CNG
		119511	G1	CYL ASM- 107", RH, W/PRD & HYLOK VLV, W/PLUG, CNG
573	14	120803	G2	CYL ASM- 107", RH, W/PRD & HYLOK VLV, W/DRAIN, CNG
	14	121105	H2	CYL ASM- 107", ROW 1, RH, W/PRD & VLV, H2
	14	121407	G3	CYL ASM- 107", RH, W/PRD & OASIS TK VLV, W/COMPACT TK HD, W/DRAIN, CNG
		119511	G1	CYL ASM- 107", RH, W/PRD & HYLOK VLV, W/PLUG, CNG
574	4	120805	G2	CYL ASM- 102", CTR, W/PRD & HYLOK VLV, W/DRAIN, CNG
	4	121108	H2	CYL ASM- 102", CTR, W/PRD & VLV, H2
	4	121476	G3	CYL ASM- 102", CTR, W/PRD & OASIS TK VLV, W/COMPACT TK HD, W/DRAIN, CNG
		119514	G1	CYL ASM- 102", CTR, W/PRD & HYLOK VLV, W/PLUG, CNG
575	14	120802	G2	CYL ASM- 107", LH, W/PRD & HYLOK VLV, W/DRAIN, CNG
	14	121104	H2	CYL ASM- 107", LH, W/PRD & VLV, H2
	14	121409	G3	CYL ASM- 107", LH, W/PRD & OASIS TK VLV, W/COMPACT TK HD, W/DRAIN, CNG
		119510	G1	CYL ASM- 107", LH, W/PRD & HYLOK VLV, W/PLUG, CNG
576	8	120804	G2	CYL ASM- 107", CTR, W/PRD & HYLOK VLV, W/DRAIN, CNG
	8	121106	H2	CYL ASM- 107", CTR, W/PRD & VLV, H2
	8	121408	G3	CYL ASM- 107", CTR, W/PRD & OASIS TK VLV, W/COMPACT TK HD, W/DRAIN, CNG
577	2	119513	G1-G2	CYL ASM- 107", CTR, W/PRD & HYLOK VLV, W/THERM, CNG
	2	121107	H2	CYL ASM- 107", CTR, W/PRD & VLV, W/THERM, H2
	1	121506	G3	CYL ASM- VP, CTR, W/TEMP, W/COMPACT TK HD, W/NOTCHED MTG BLK

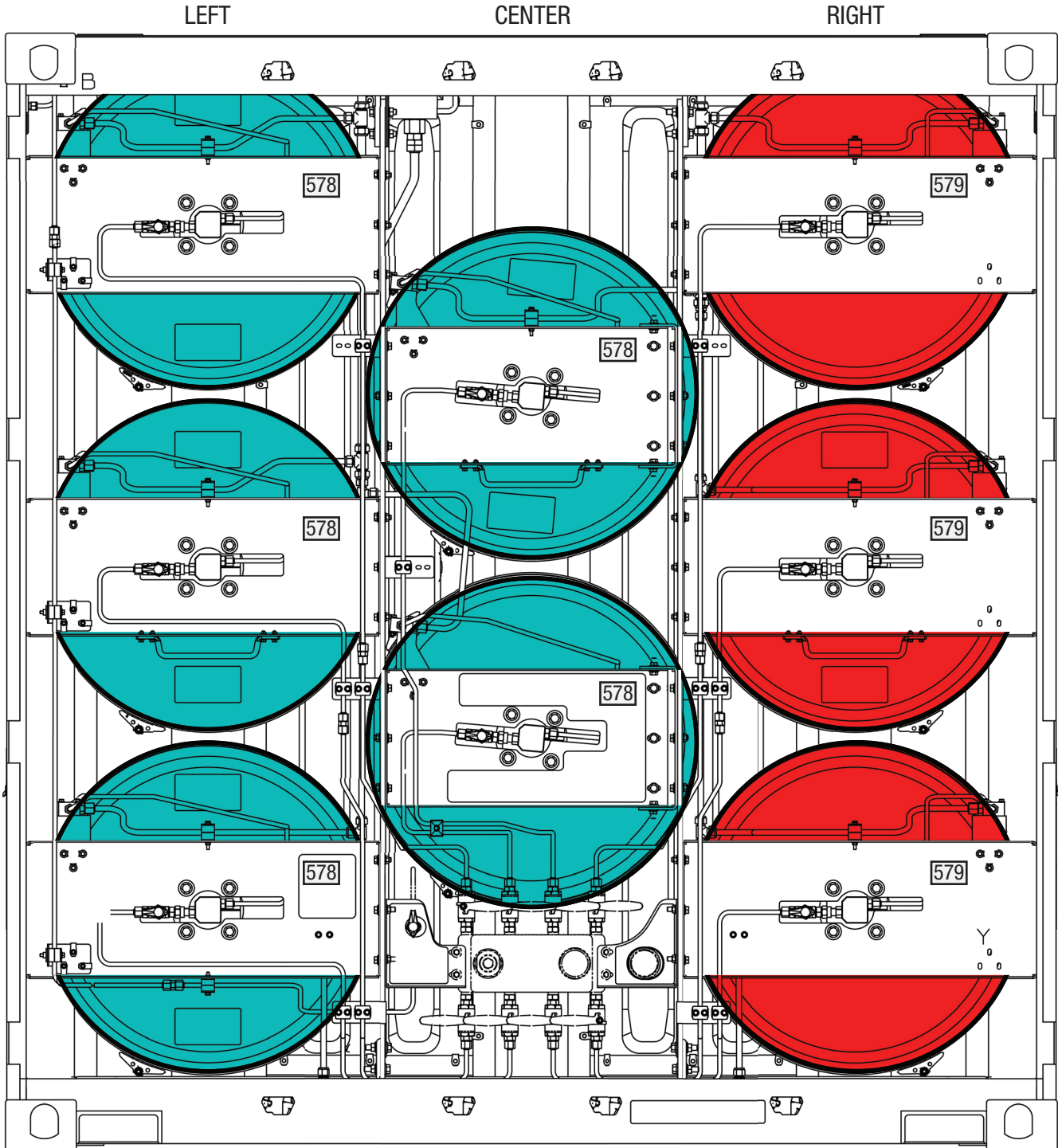
THIS PAGE INTENTIONALLY LEFT BLANK

VP Trailer Cylinder Supports & Cross Members
20' VP Cylinder Identification & Assemblies

Cylinder orientation is determined by the cylinders proximity to the valve end of the cross member, see the illustrations below:

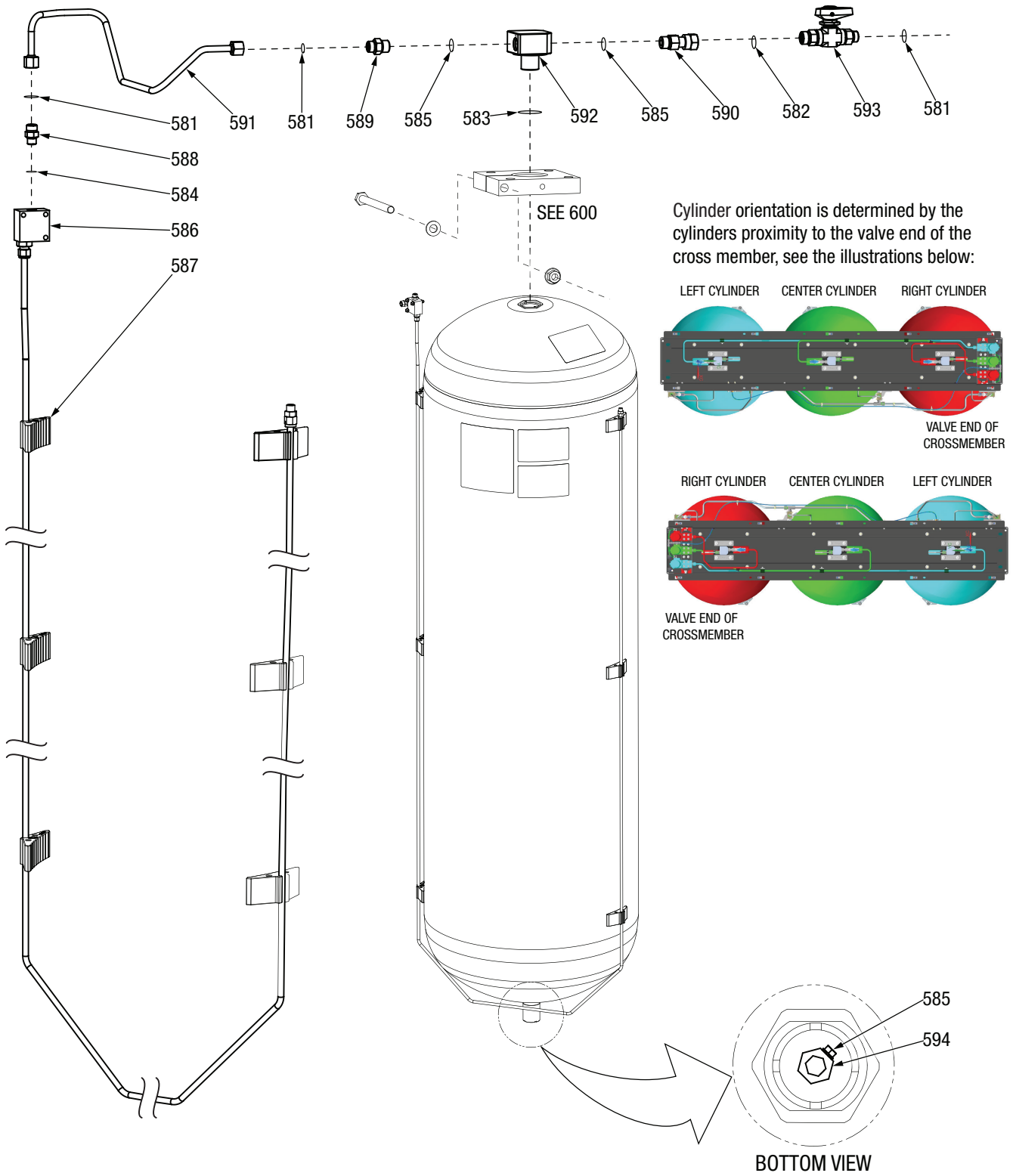


VP Trailer Cylinder Supports & Cross Members
10' VP Cylinder Identification & Assemblies



VP Trailer Cylinder Assembly & PRD

All Models



VP Trailer Cylinder Assembly & PRD (Cont)

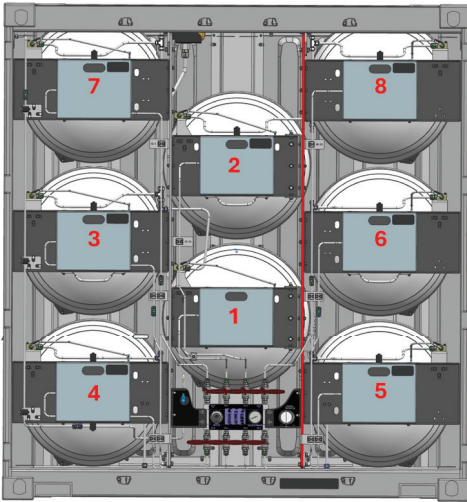
Item	Qty	Quantum Part No.	Gen	Description
581	3	117997-012		O-RING-ORFS-6, LOW TEMP
582	1	117997-014		O-RING-ORFS-8, LOW TEMP
583	1	117997-216		O-RING- CYL VLV, ALUM, VP, LOW TEMP
	1	117997-920	45' G1	O-RING-SAE-20, LOW TEMP
	1	117997-920	VP-650	O-RING-SAE-20, LOW TEMP
584	1	117997-906		O-RING-SAE-6, LOW TEMP
585	2	117997-908		O-RING-SAE-8, LOW TEMP
586	1	118170-001	45' G1-G7	PRD ASM- VP 107" CYL, ROW 1, RH
	1	118170-002	45' G1-G7	PRD ASM- VP 107" CYL, ROW 1, LH
	1	118161-001	45' G1-G7 40' G1-G3	PRD ASM- VP 107" CYL, RH
	1	121112-001	40' H2	PRD ASM- VP 107" CYL, RH, H2
	1	121112-002	40' H2	PRD ASM- VP 107" CYL, CTR, H2
	1	121112-003	40' H2	PRD ASM- VP 107" CYL, LH, H2
	1	121113-001	40' H2	PRD ASM- VP 102" CYL, ROWS 1-5, CTR, H2
	1	121963-002	10' H2 10' He	PRD ASM- VP 107" CYL, 10', RH, H2 (CYL 5,6,8)
	1	118167-002	45' G1-G4 40' G3	PRD ASM- VP 102" CYL, ROW 1, CTR
	1	119928-001	45' G5-G7 40' G1-G3	PRD ASM- VP 102" CYL, ROWS 1-5, CTR
	1	119928-002	45' G5	PRD ASM- VP 102" CYL, ROW 1, CTR
	1	118161-002	45' G1-G3 40' G1-G3	PRD ASM- VP 107" CYL, CTR
	1	118173	45' G1-G7 40' G1-G2	PRD ASM- VP 107" CYL, REAR ROWS, CTR
	1	121109	40' H2	PRD ASM- VP 107" CYL, W/TEMP PROBE, CTR, H2
	1	118161-003		PRD ASM- VP 107" CYL, LH
587	6	119779		BLOCK- MOUNTING, PRD TRIGGER TUBE (REP BY 121125)
	A/R	117330-001		ASI ADHESIVE- SLOW CURE, MP55320, 50ML
	6	117955	ALL EXCEPT He	BLOCK- MOUNTING, PRD TRIGGER TUBE (DO NOT SELL)
	1	121125	45' G5-G7 40' G1-G3 20' 10'	BLOCK- MOUNTING, PRD TRIGGER TUBE
	1	119780		BLOCK- MOUNTING, PRD TRIGGER TUBE, TRIMMED (REP BY 121497)
	1	121497		BLOCK- MOUNTING, PRD TRIGGER TUBE, TRIMMED

VP Trailer Cylinder Assembly & PRD (Cont)

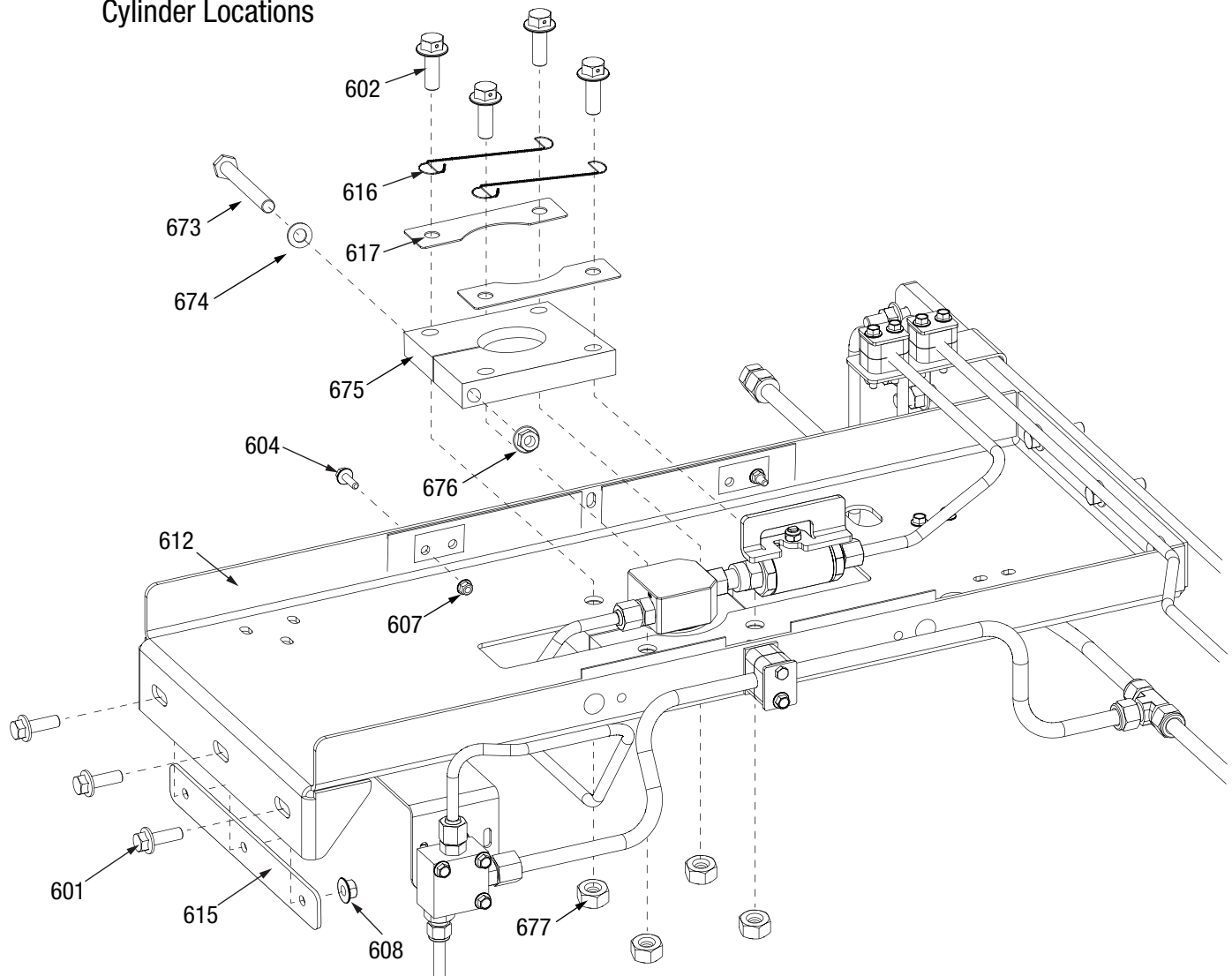
Item	Qty	Quantum Part No.	Gen	Description
588		118226-002		FITTING- UNION, SAE TO ORFS, -6
589		118226-007		FITTING- UNION, SAE TO ORFS, 8-6
590		102917-001		FITTING- ADPT, SAE TO ORFS, SS, -6
		102917-002		FITTING- ADPT, SAE TO ORFS, SS, -8
591	1	117958	45' G1-G5 40' G1-G2 10'	PIPE ASM- INLET, PRD, RH, ROW 1, VP, W/ CF TK HD
	1	117963	45' G3-G5 40' G1-G2	PIPE ASM- INLET, PRD,CTR, ROW 1, W/CF TK HD, VP, 45'
	1	117960	45' G1-G5 45' G5 10'	PIPE ASM- INLET, PRD, LH, W/CF TK HD, VP, 10'/45'
	1	117956	45' 40' G1-G2 40' H2 20' 10' CNG	PIPE ASM- INLET, PRD, RH, W/CF TK HD, VP, 20'/40'/45'
	1	117952	45' 40' G1-G2 40' H2 20' 10' CNG	PIPE ASM- INLET, PRD, LH, W/CF TK HD, VP, 20'/40'/45'
	1	117890	45' 40' G1-G2 40' H2 10' CNG	PIPE ASM- INLET, PRD, CTR, W/CF TK HD, VP, 20'/40'/45'
	1	121564	40' G3	PIPE ASM- INLET, PRD, RH, W/COMPACT TK HD, VP, 20'/40'/45'
	1	122158	40' G3	PIPE ASM- INLET, PRD, LH, W/COMPACT TK HD, VP, 20'/40'/45'
	1	121566	40' G3	PIPE ASM- INLET, PRD, CTR, W/COMPACT TK HD, VP, 20'/40'/45'
592	1	118377	ALL EXCEPT 40' G3	TANK HEAD- ALUM, 1 1/8" SAE, CHILL FILL, VP
	1	118369	45' G3	TANK HEAD- ALUM, 1 1/4" SAE, VP
	1	117730	VP-650	TANK HEAD- ALUM, 1 1/4" SAE, CHILL FILL, VP
	1	121402	40' G3	TANK HEAD- ALUM, 1 1/8" SAE, COMPACT, VP
593	1	118748-001	ALL EXCEPT 40' G3	VALVE- 1/4 TURN, HYLOK, -6/-8
	1	121498-001	40' G2-G3	VALVE ASM-1/4 TURN, 3/8, OASIS
594	A/R	120823	40' G3	VALVE- DRAIN, SS, MALE SAE, -8
	A/R	118077-003		PLUG- HEX HEAD, -8 SAE

THIS PAGE INTENTIONALLY LEFT BLANK

VP Trailer Cylinder Supports & Cross Members 10' (G1-G2) Crossmember



Cylinder Locations



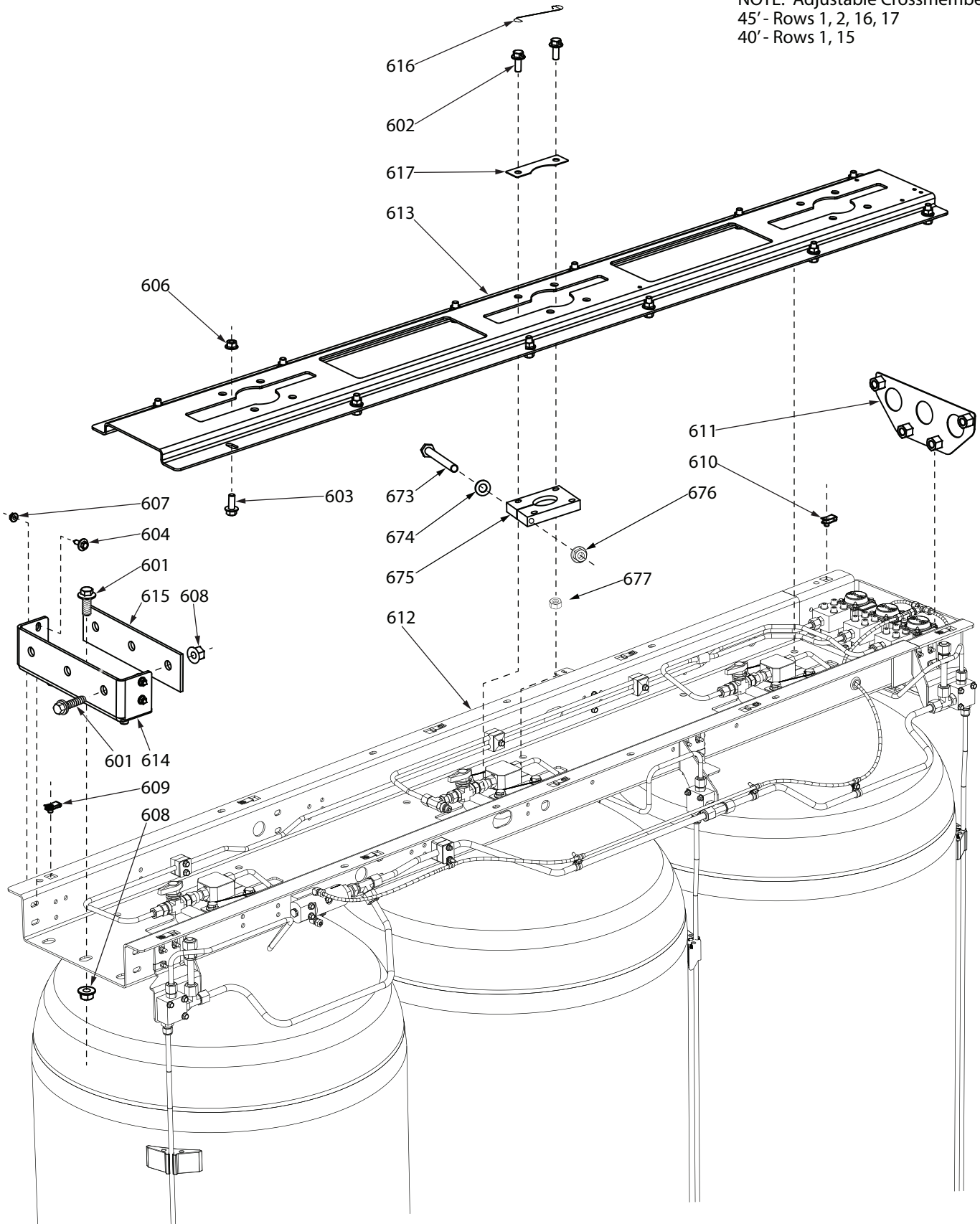
10' (G1-G2) Crossmember

Item	Qty	Quantum Part No.	Gen	Description
601		S1-20298-012		BOLT- HEAVY HEX FLANGE, M10 X 30
		S1-20298-011		BOLT- HEAVY HEX FLANGE, M10 X 40
602	4	120727-001		BOLT- HEX FLANGE, S/W DRILLED, M12 X 30
	4	120727-002		BOLT- HEX FLANGE, S/W DRILLED, M12 X 35
604		S1-20370-015		BOLT- HEX FLANGE, M6 X 20
607		N1-20300-002		NUT- CRIMP LOCK, HEX FLANGE, M6
608		N1-20300-004		NUT- CRIMP LOCK, HEX FLANGE, M10
612	1	119841		CROSSMEMBER- CYL SUPT, VP, 10', RH/LH, BW
	1	119842		CROSSMEMBER- CYL SUPT, VP, 10', CTR, BW
615	1	119532		PLATE- BACKING, CROSS MEMBER MTG, VP, 10'
	1	119453		BRACKET- SUPPORT, CROSSMEMBER, ADJ, VP, 10'
616	2	120343-001		LOCK WIRE- STAINLESS, 0.032" DIA, 360 FT
617	2	119455		PLATE- LOAD DIST, VP, COLLAR
673	2	118306-016		SCREW- HEX HEAD, M12 X 150
674	2	118286-005		WASHER- FLAT, HARDENED, M12
675	1	121416		BLOCK- CYL MNTG, UPR, 2", NOTCHED, G3
	1	118375		BLOCK- CYL MOUNTING, UPR, 2", THREADED, AL
676	2	N1-20300-001		NUT- CRIMP LOCK, HEX FLANGE, M12
677	4	121445-004		NUT-HEX, M12X1.75, CLASS 10

Mechanical Components

20' (G1), 40' (G1-G3), 45' (G1-G7) Crossmember

NOTE: Adjustable Crossmembers
45' - Rows 1, 2, 16, 17
40' - Rows 1, 15



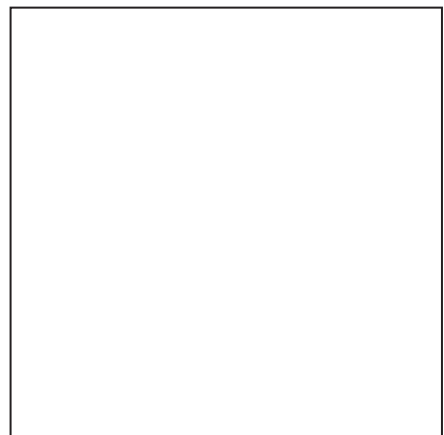
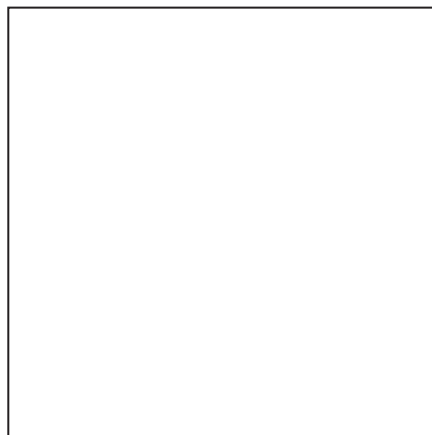
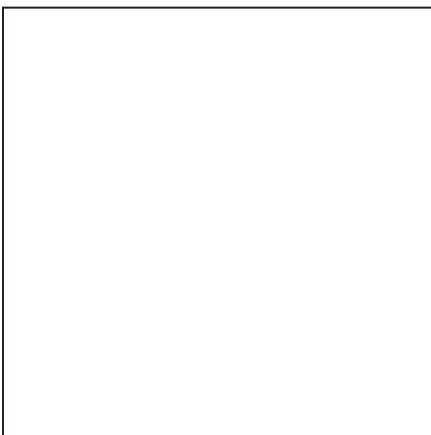
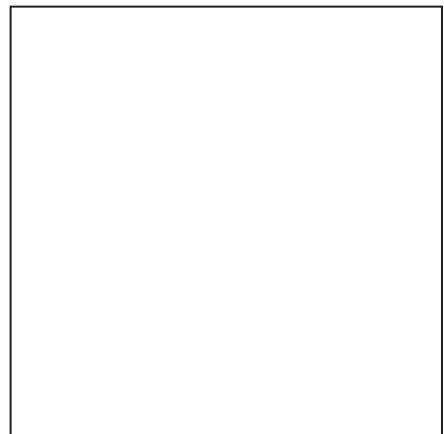
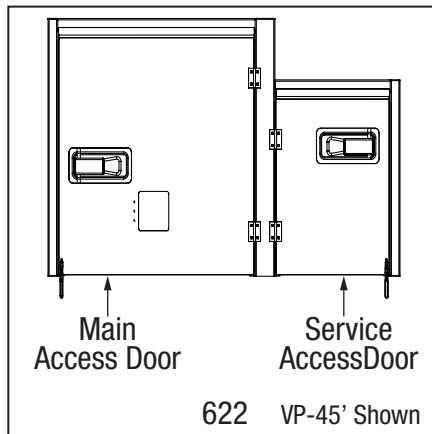
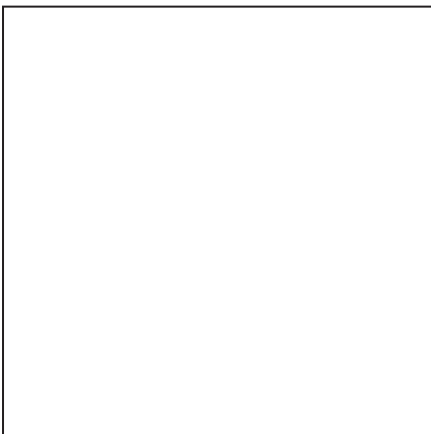
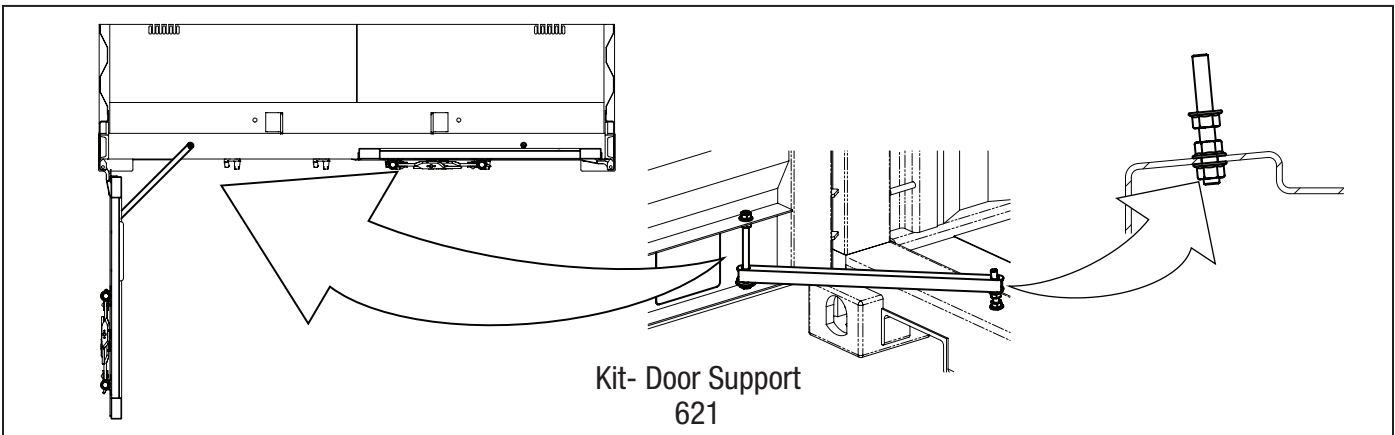
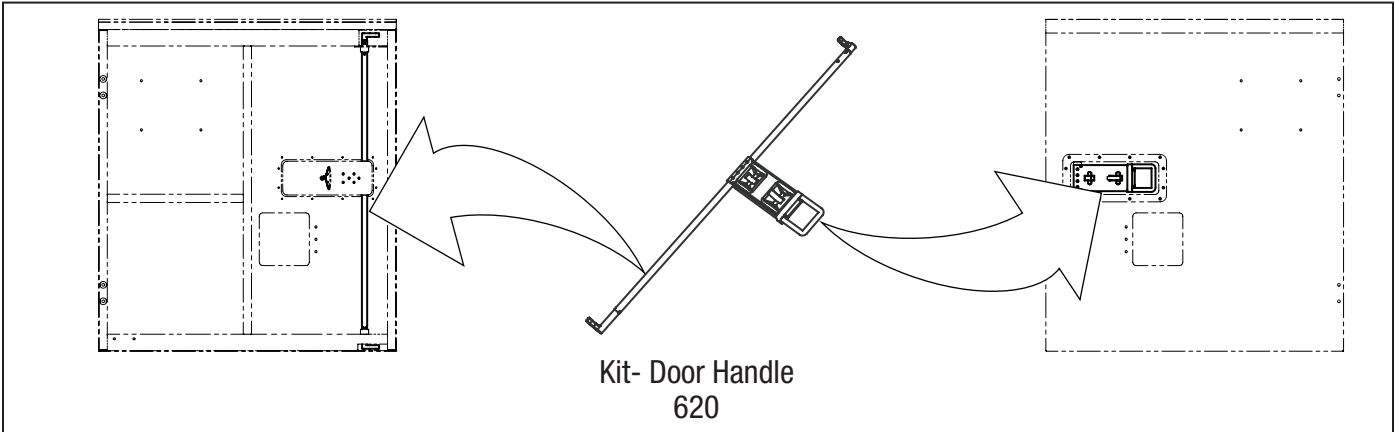
Crossmember (Cont)

Item	Qty	Quantum Part No.	Gen	Description
601	7	S1-20298-013		BOLT- HEAVY HEX FLANGE, M16 X 40
602	12	120727-001		BOLT- HEAVY HEX FLANGE, M16 X 40
		120727-002	40' G2-G3 H2	BOLT- HEX FLANGE, S/W DRILLED, M12 X 35
603	12	S1-20298-001		BOLT- HEAVY HEX FLANGE, M12 X 30
604	9	S1-20381-004		SCREW- HEX HEAD, CONICAL WASH, M6 X 60
	4	119167-009	40' G3 H2	SCREW, HEX HEAD, CONICAL WASH, M8 X 30, CA PT
606	12	N1-20300-001		NUT- CRIMP LOCK, HEX FLANGE, M12
607	9	N1-20300-003		NUT- CRIMP LOCK, HEX FLANGE, M8
608	3	N1-20755-005		NUT- HEX FLANGE, M16
609	8	118731-008		NUT- U SHAPE, LOCKING, M8, LONG, 0.8-4.0MM
610	2	118731-012		NUT- U SHAPE, LOCKING, M8, LONG, 4.0-7.0MM
611	1	118907		PLATE- NUT, CROSSMEMBER, VP
612	1	119661		CROSSMEMBER- CYL SUPT, VP, ADJ, BW (OBSOLETE USE 121442)
	1	119662	45' G1-G4	CROSSMEMBER- CYL SUPT, VP, FIXED, BW (OBSOLETE USE 121443)
	1	119451	10' H2 10' He	CROSSMEMBER- CYL SUPT, VP, 10', RH/LH, BW
	1	119452	10' H2 10' He	CROSSMEMBER- CYL SUPT, VP, 10', CTR, BW
	1	121442	40' G3	CROSSMEMBER- CYL SUPT, VP, ADJ, BW
	1	122050		CROSSMEMBER- CYL SUPT, VP, ADJ, JJAP
	1	122071		CROSSMEMBER- CYL SUPT, VP, ADJ, CIMC
	1	121443	40'	CROSSMEMBER- CYL SUPT, VP, FIXED, BW
	1	122051		CROSSMEMBER- CYL SUPT, VP, FIXED, JJAP
	1	122072		CROSSMEMBER- CYL SUPT, VP, FIXED, CIMC
613	1	119755	45' G1-G3 40' G3 40' H2	BRACKET- CYL SUPT, VP, BW, (OBSOLETE USE 121444)
	1	121444	40' G3	BRACKET- CYL SUPT, VP, BW
	1	122053		BRACKET- CYL SUPT, VP, JJAP
	1	122074		BRACKET- CYL SUPT, VP, CIMC
	1	122073		BRACKET- SUPPORT, CROSSMEMBER, ADJ, CIMC
614	1	122052		BRACKET- SUPPORT, CROSSMEMBER, ADJ, JJAP
	1	122073		BRACKET- SUPPORT, CROSSMEMBER, ADJ, CIMC

THIS PAGE INTENTIONALLY LEFT BLANK

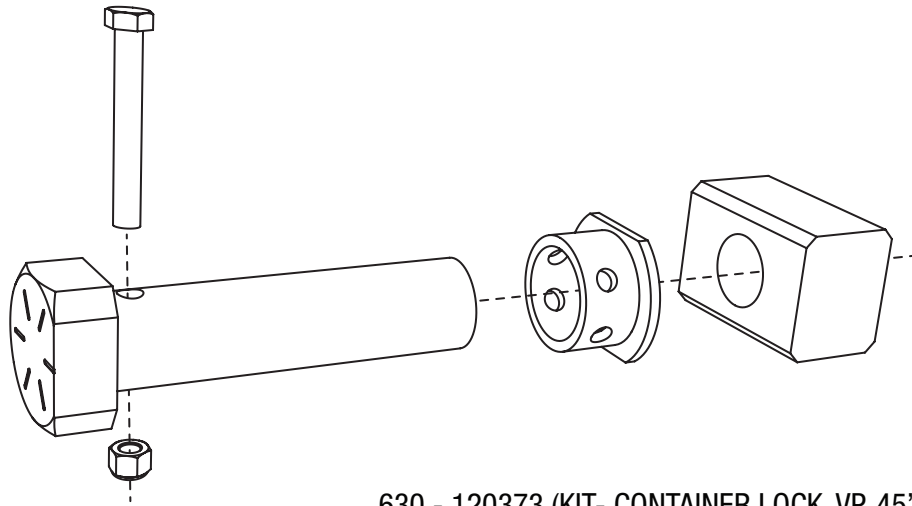
VP Trailer Mechanical Components

Trailer Doors

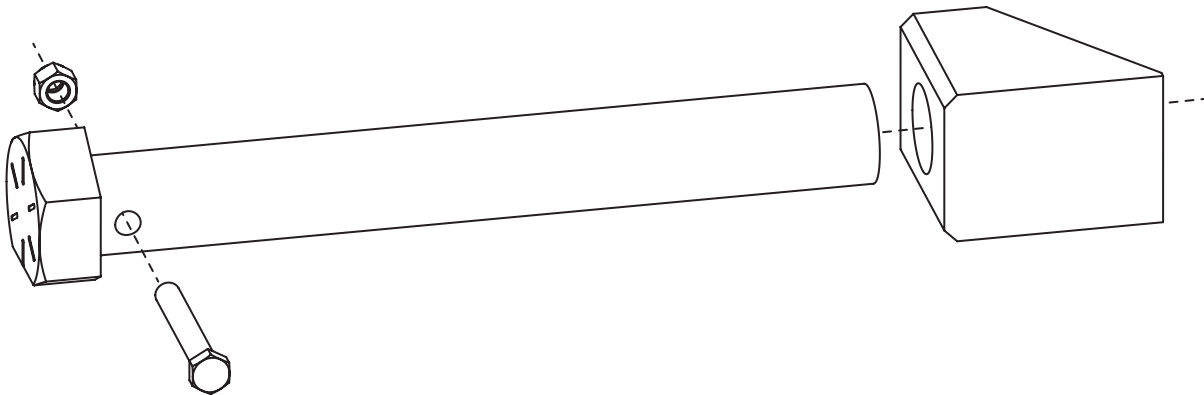


Mechanical Components

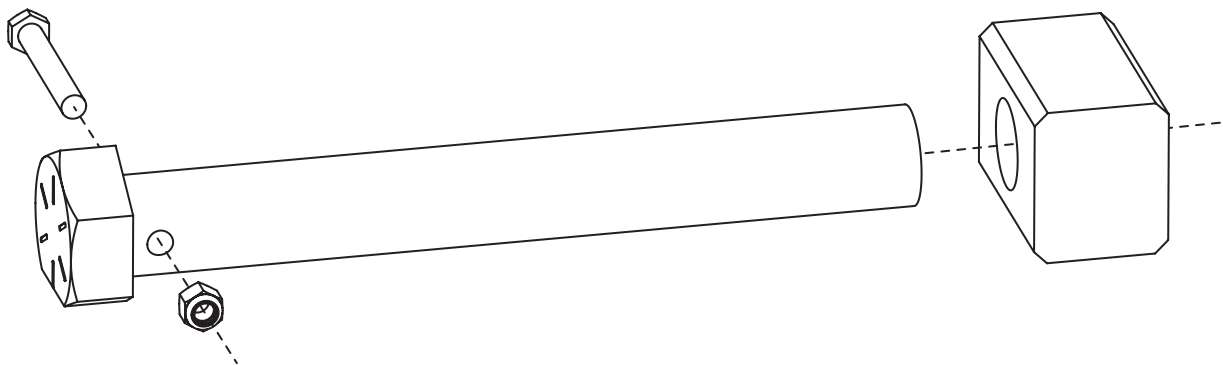
Container Lock Kit



630 - 120373 (KIT- CONTAINER LOCK, VP, 45', CHEETAH)



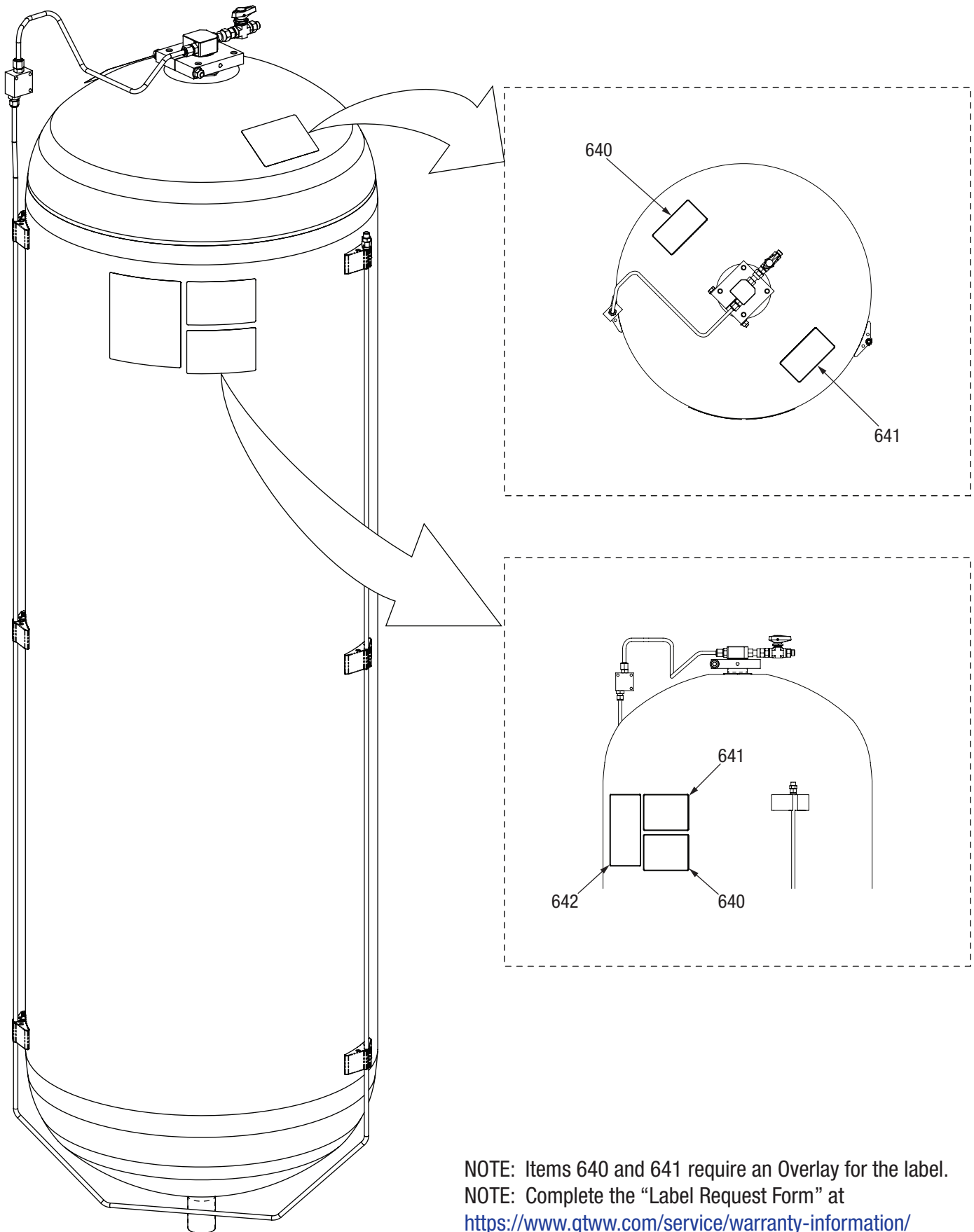
631 - 120344 (KIT- CONTAINER LOCK, VP, KING PRATT KWIK)



632 - 120363 (KIT- CONTAINER LOCK, VP, 40'/45', PRATT KWIK)

VP Trailer Labels

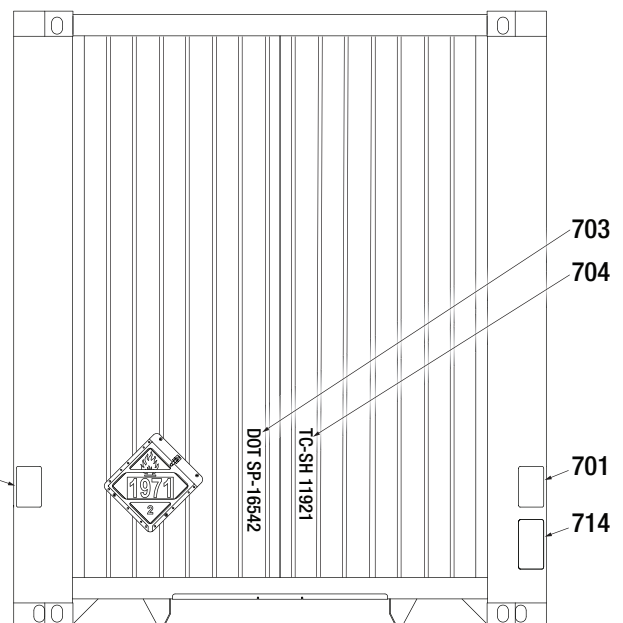
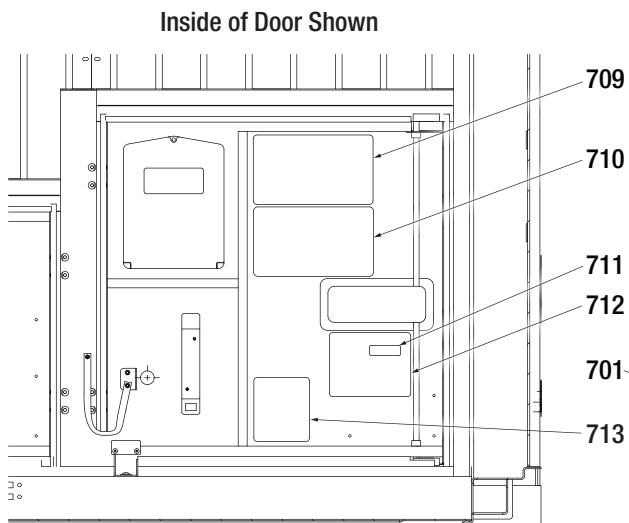
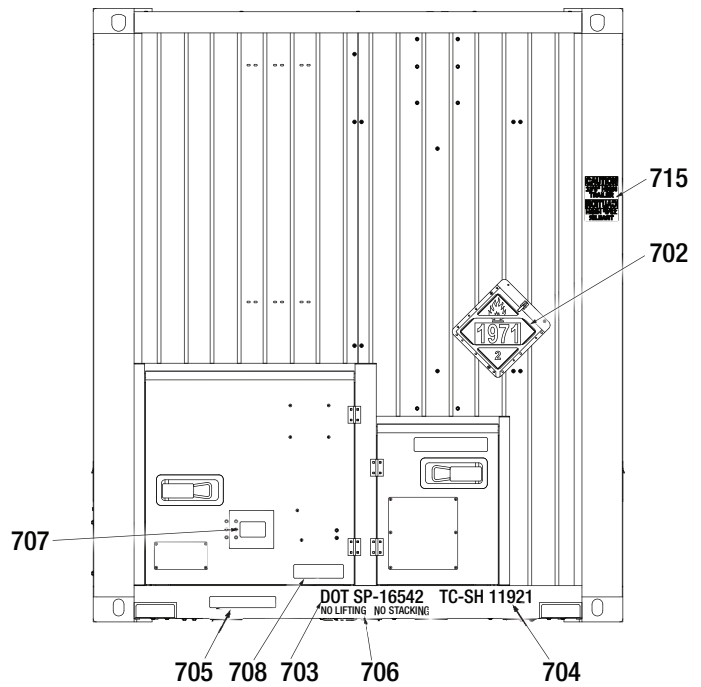
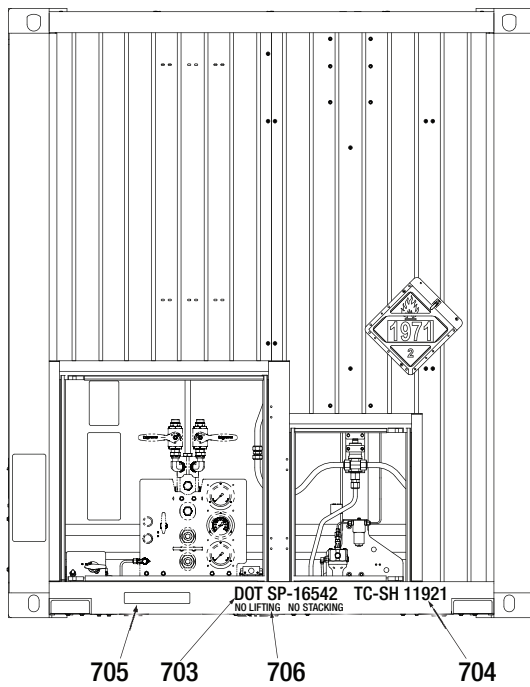
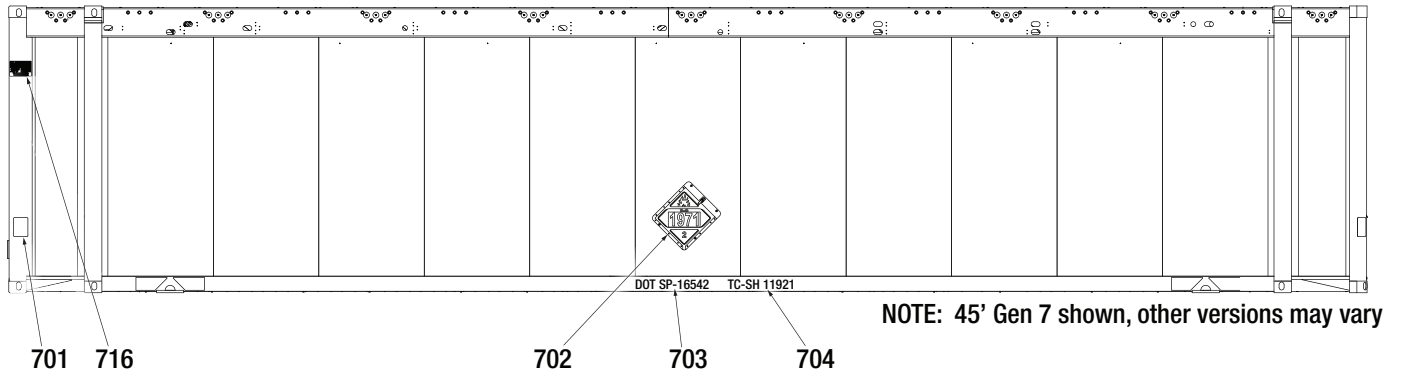
Cylinder Labels



NOTE: Items 640 and 641 require an Overlay for the label.
NOTE: Complete the "Label Request Form" at
<https://www.qtw.com/service/warranty-information/>

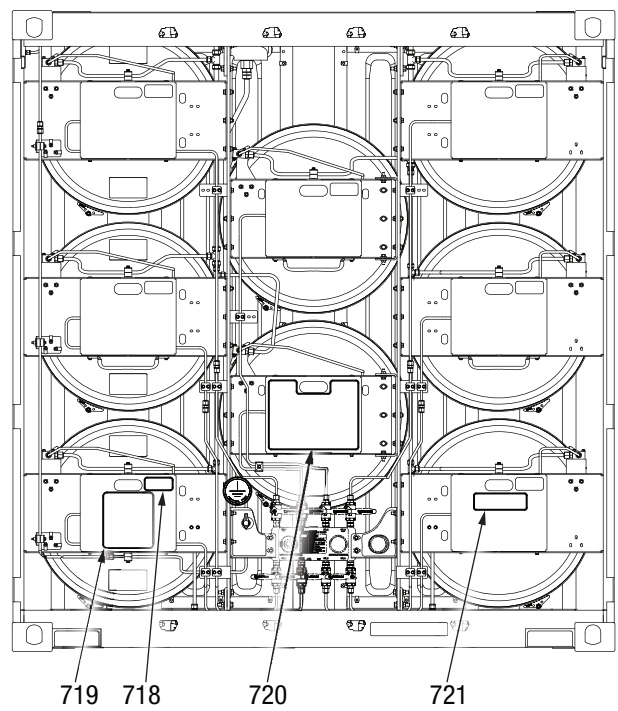
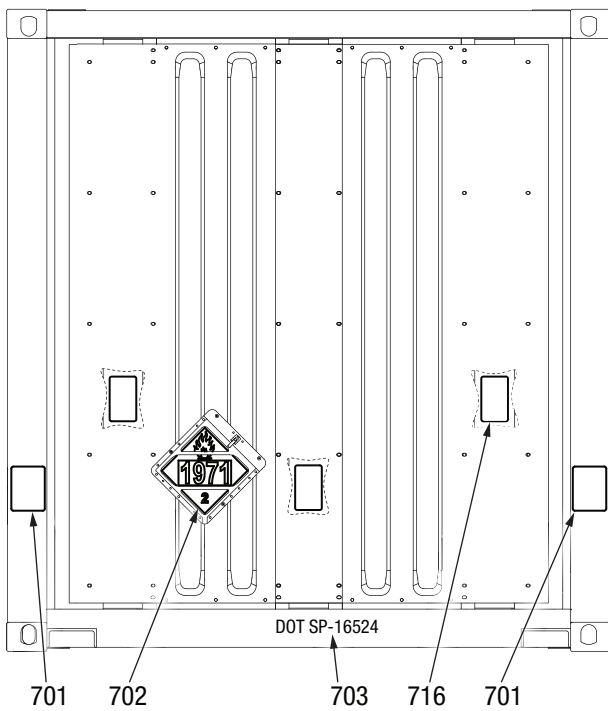
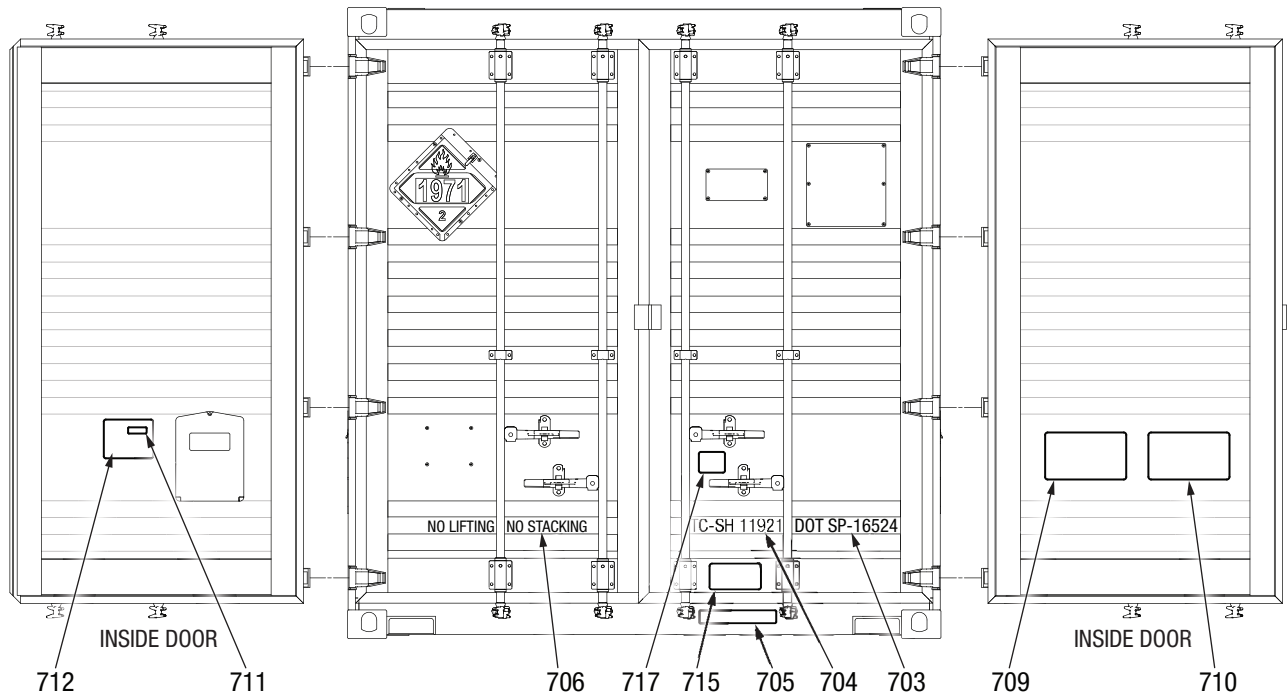
VP Trailer Labels (Cont)

20', 40', 45' VP Trailer Labels - Universal



VP Trailer Labels (Cont)

10' VP Trailer Labels - Universal

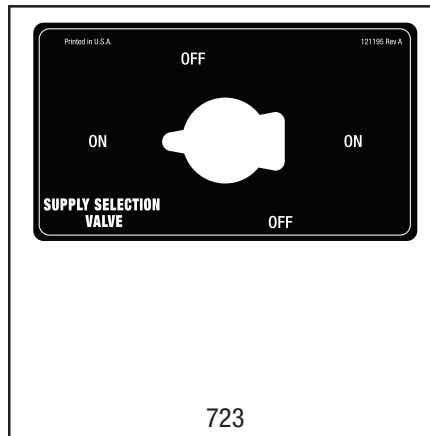


VP Trailer Labels (Cont)

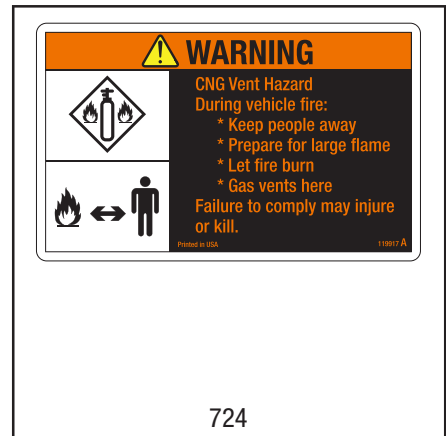
VP Trailer Labels - Specific



722



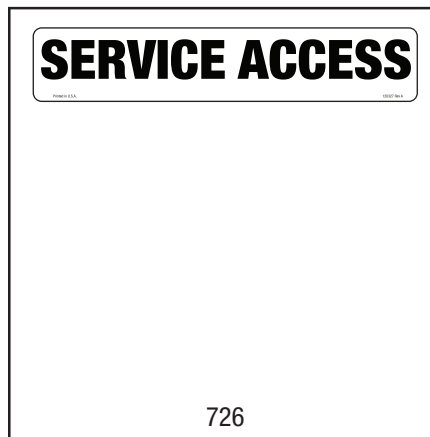
723



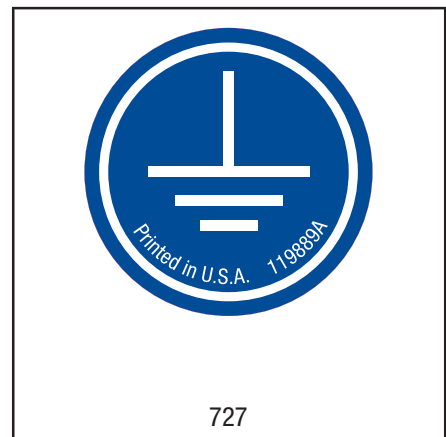
724



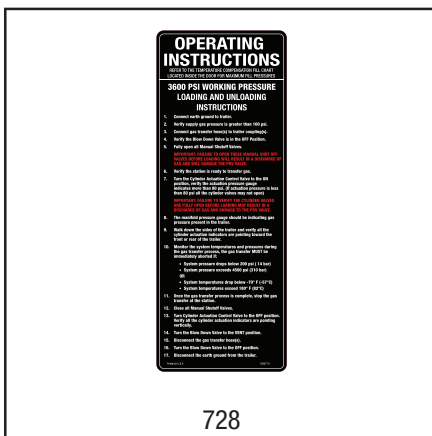
725



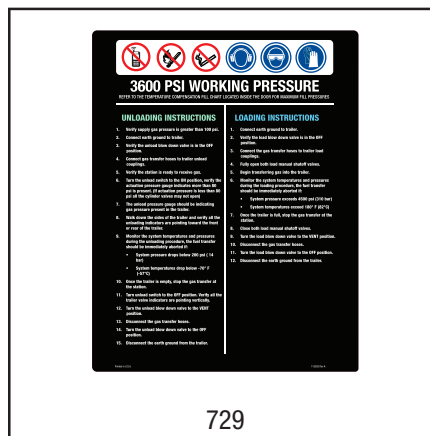
726



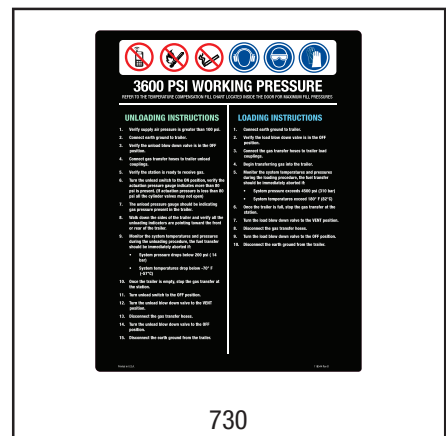
727



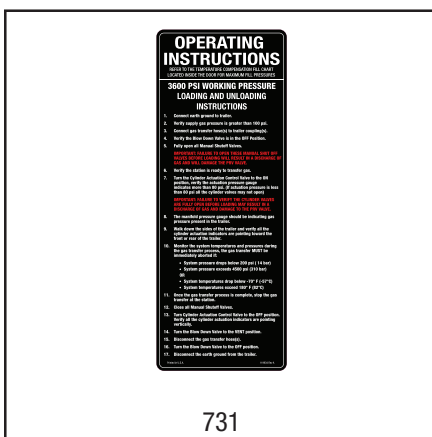
728



729



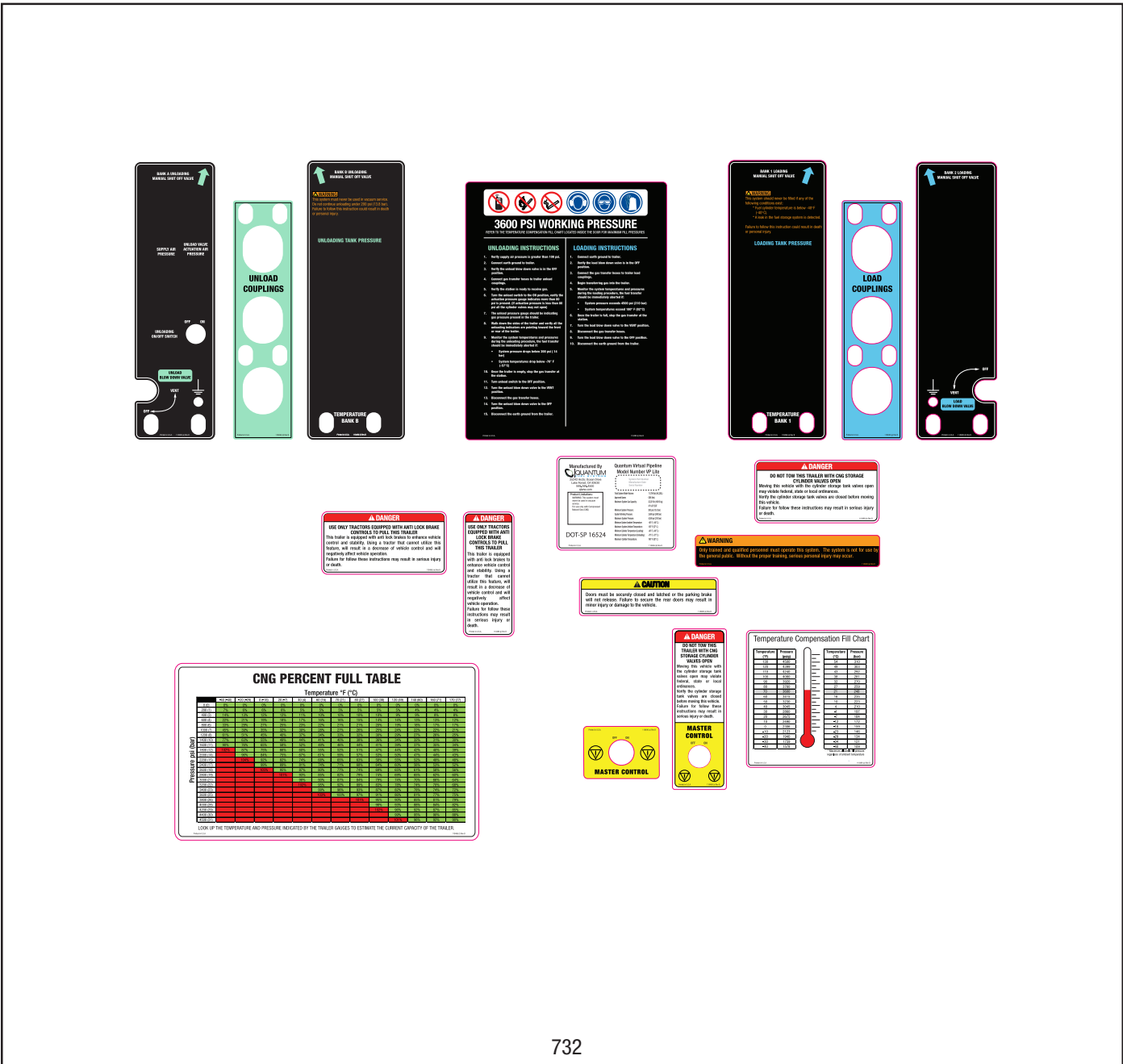
730



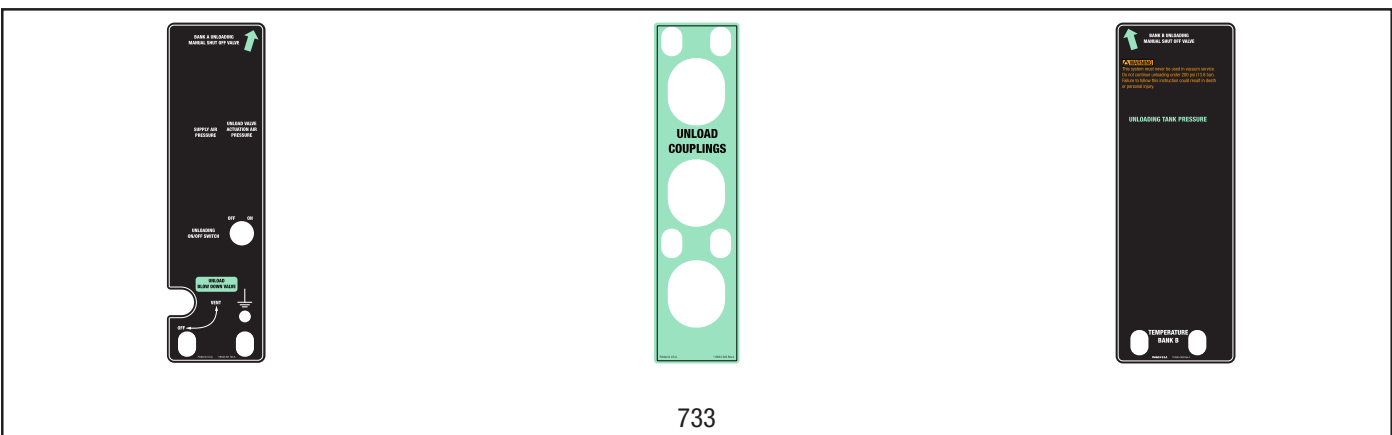
731

VP Trailer Labels (Cont)

45' VP Trailer Labels - User Interface



732



733

114

VP Trailer Labels (Cont)

45' VP Trailer Labels - User Interface

734		

735		

736

737

738

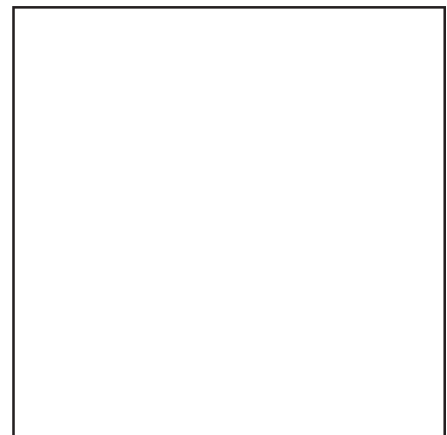
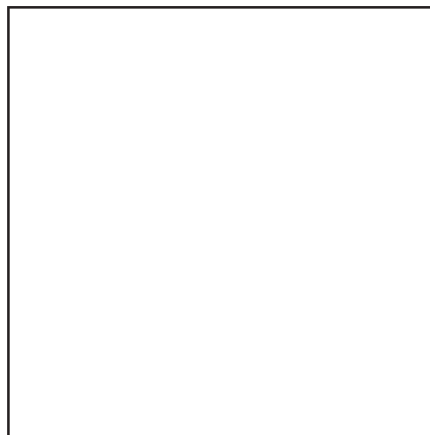
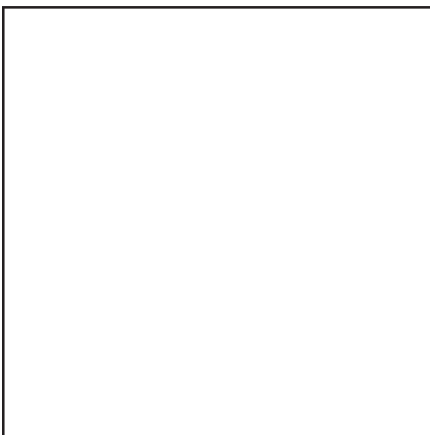
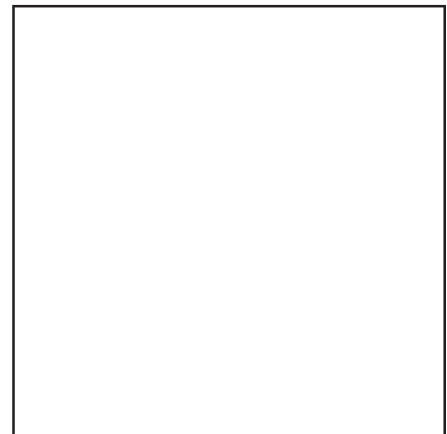
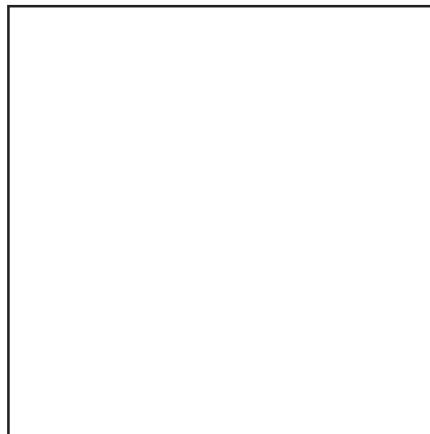
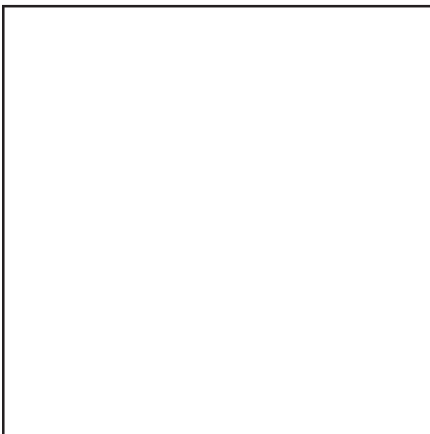
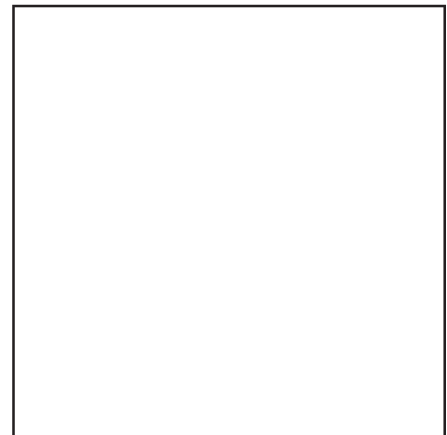
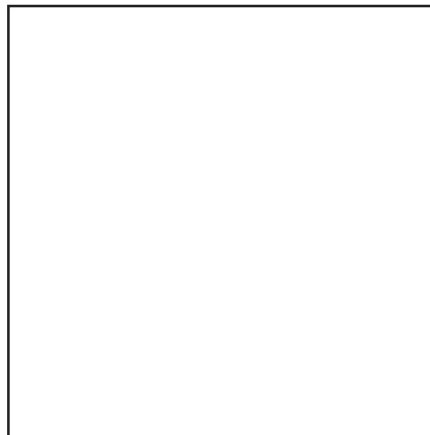
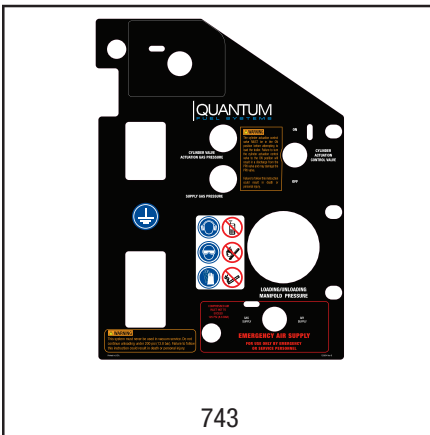
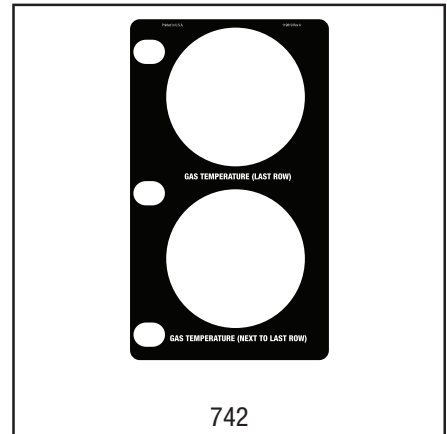
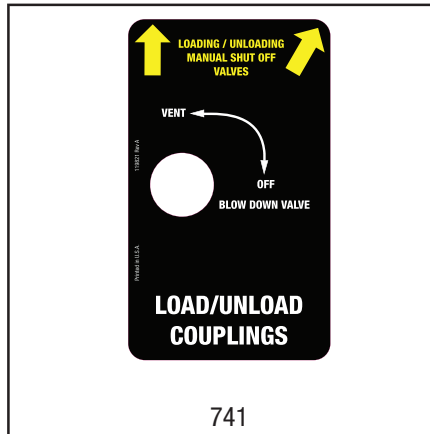
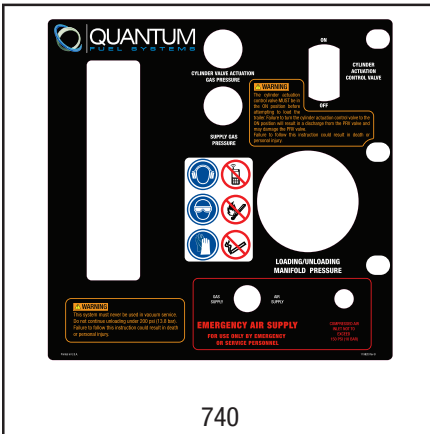
739

--

--

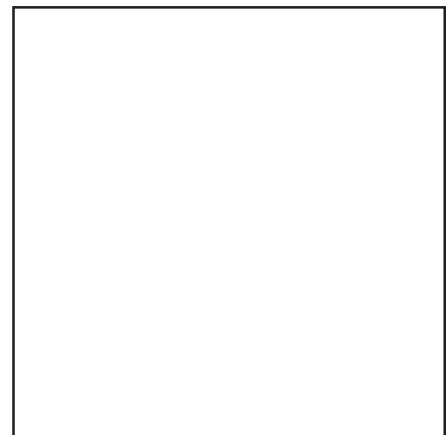
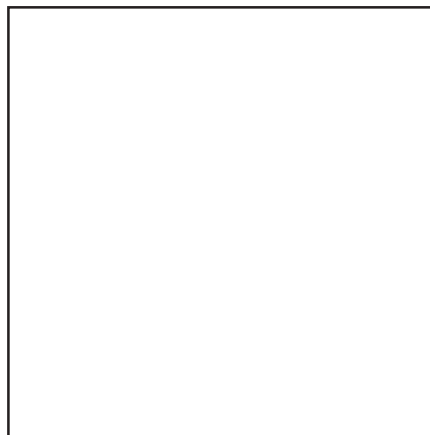
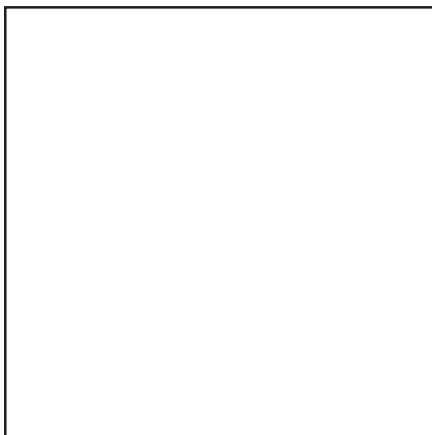
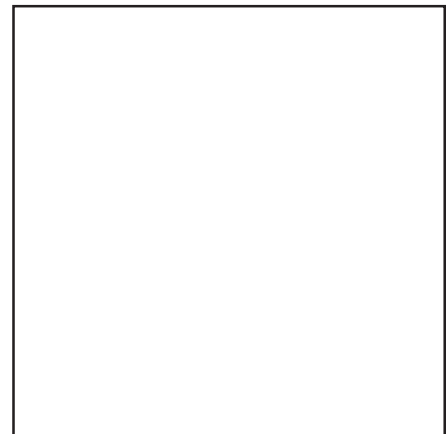
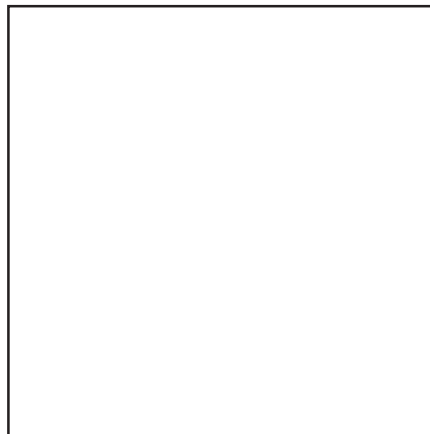
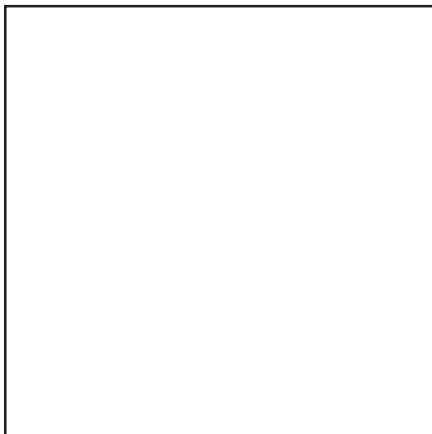
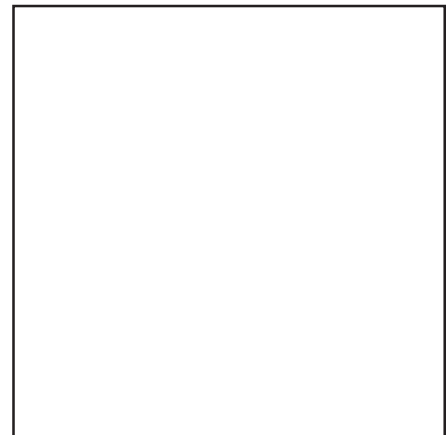
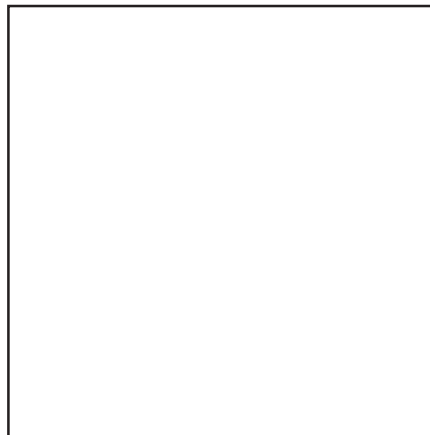
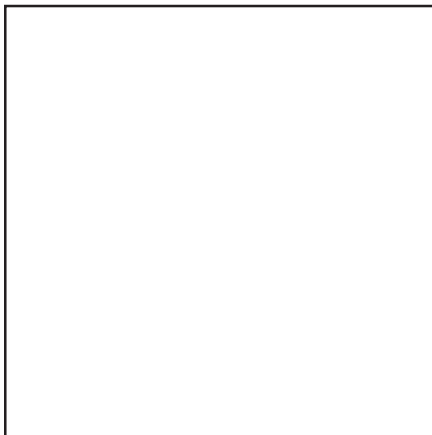
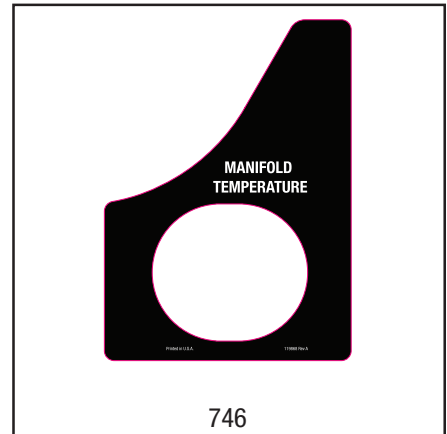
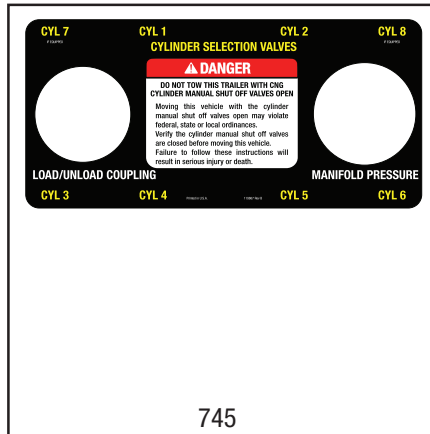
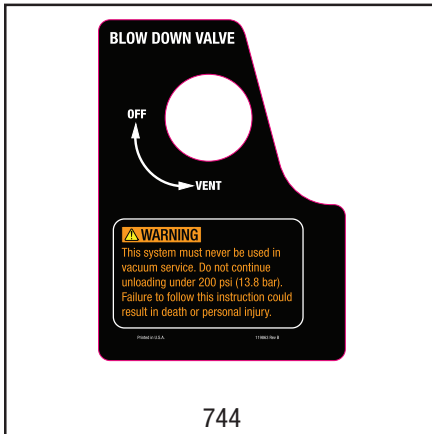
VP Trailer Labels (Cont)

20' & 40' VP Trailer Labels - User Interface



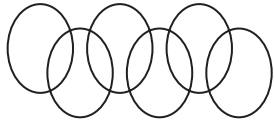
VP Trailer Labels (Cont)

10' VP Trailer Labels - User Interface

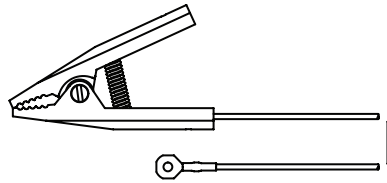


VP Trailer Accessories

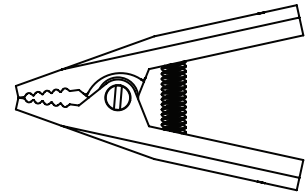
All Models



119127
O-RING KIT



119940
CABLE ASM- GROUND, STATIC, VP



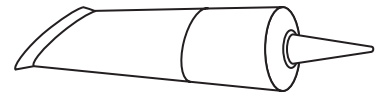
119935
CLAMP- GROUND



109525-001
KRYTOX OIL



117330-001
ADHESIVE- SLOW CURE, MP55320, 50ML



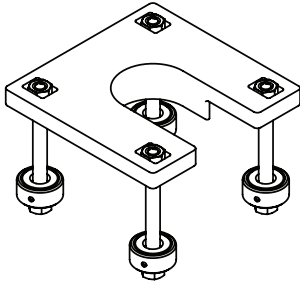
102953-003
KRYTOX GREASE 8 OZ
102953-004
KRYTOX GREASE 4 OZ
102953-005
KRYTOX GREASE 0.5 kg

THIS PAGE INTENTIONALLY LEFT BLANK

VP Trailer Special Tools

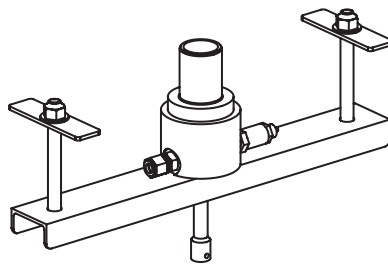
All Models

NOTE:
FOR TRAILERS WITH BUSHINGS

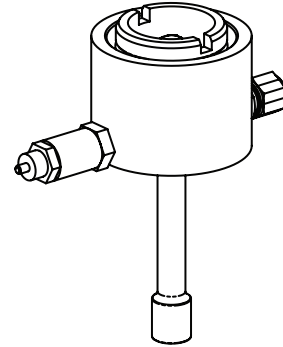


702179
TOOL- BEARING REMOVAL

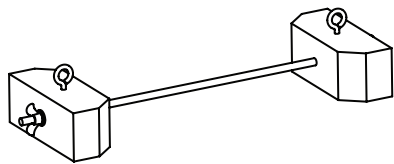
NOTE:
FOR TRAILERS WITH BUSHINGS



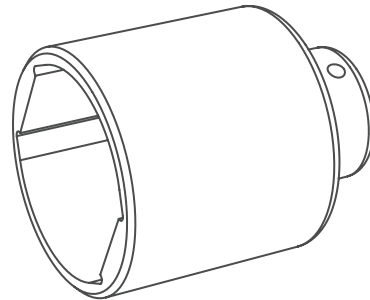
702371
TOOL- DRAIN, W/ BUSHING



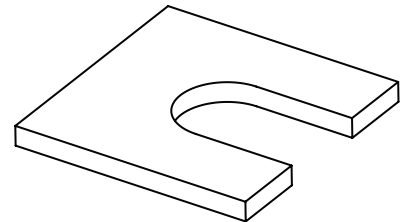
702340
TOOL- CYLINDER DRAIN, VP TANK



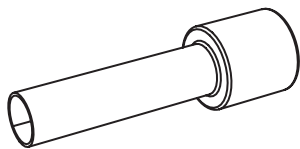
702097
TOOL- CYL SUPT WEDGE, VP



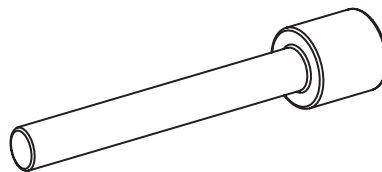
702228
SOCKET- OASIS MAKE COUPLER SERVICE



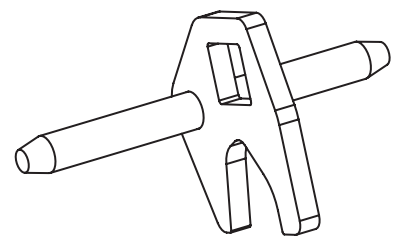
702094
TOOL- SPACER, U SHAPE, CYL SUPT



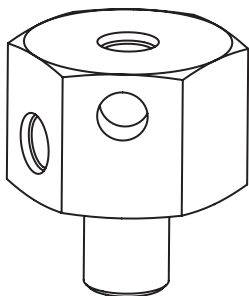
119591
RESET TOOL- PAS VALVE, RELEASE



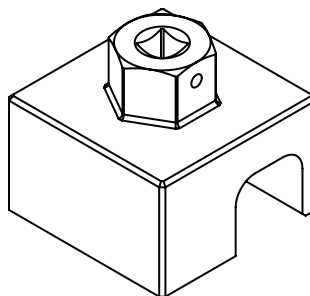
119592
RESET TOOL- PAS VALVE, ADJUST



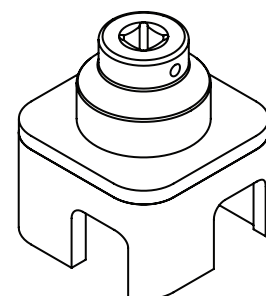
702099
TOOL- PRD TRIGGER TUBE, R&R



700812
TEST PLUG- VP, CYLINDER, UPPER

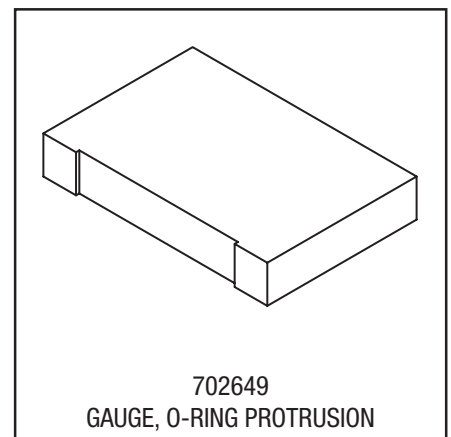
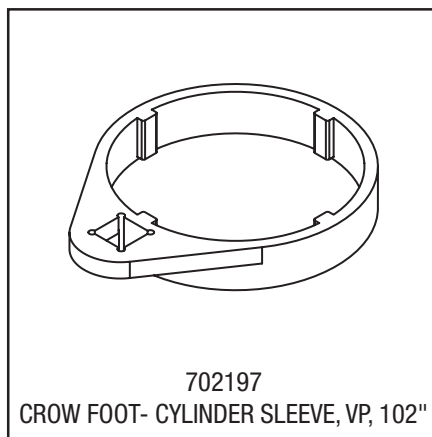
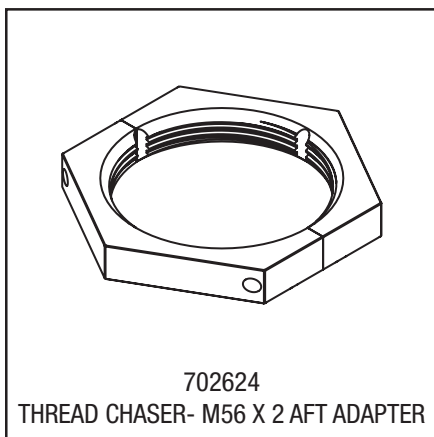
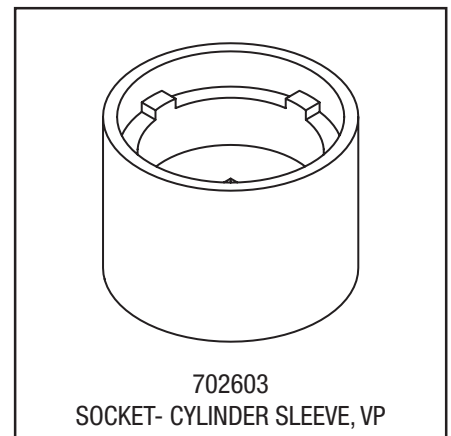
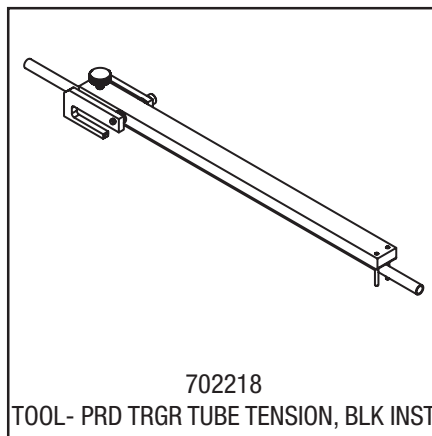
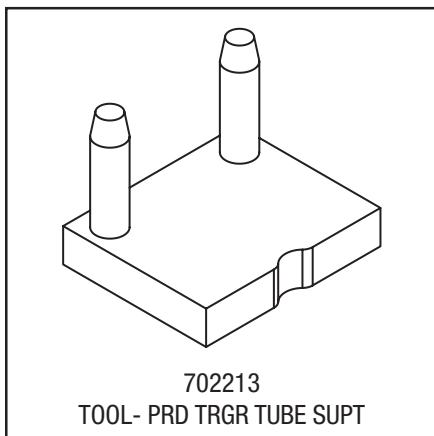
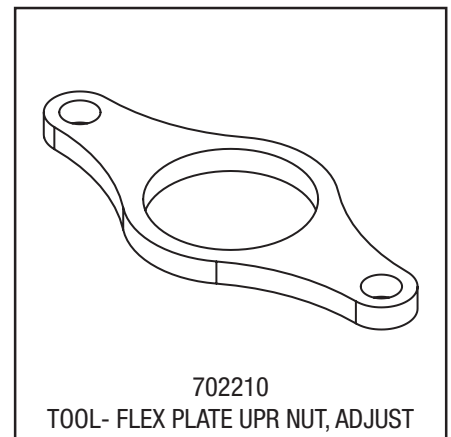
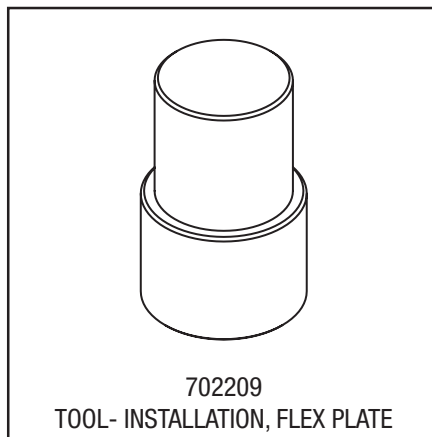
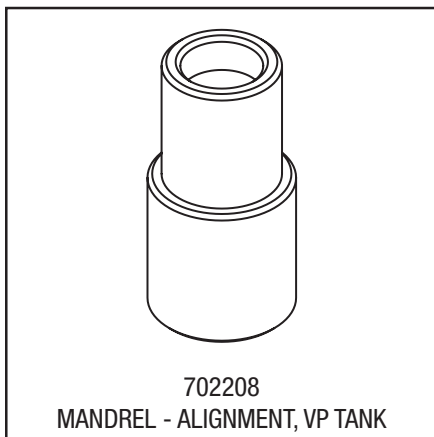
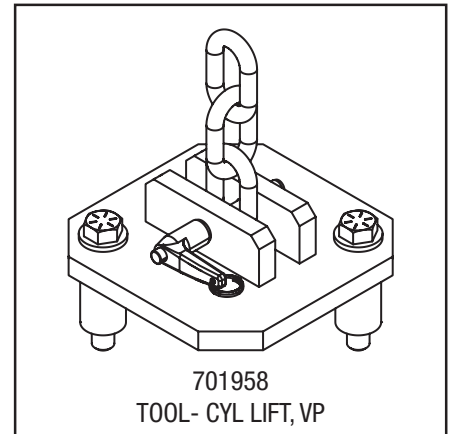
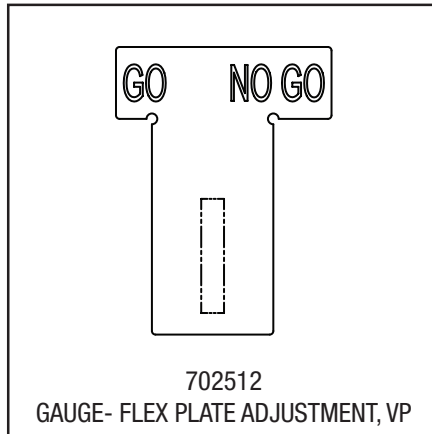
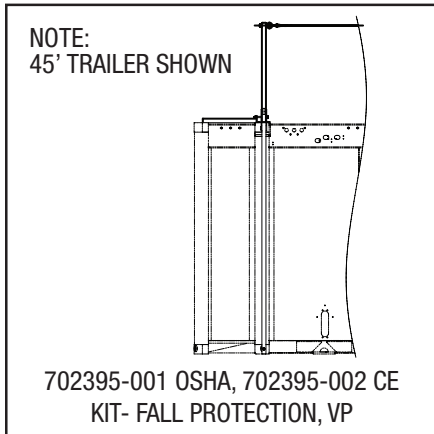


702185
TOOL- TANK HEAD, VP

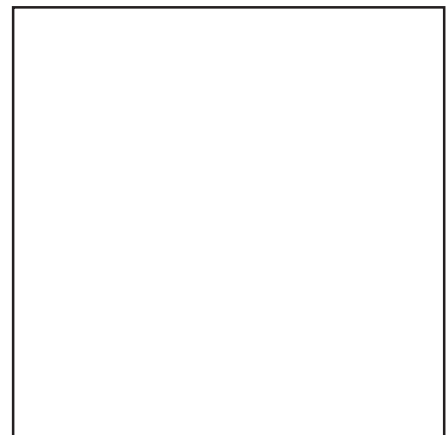
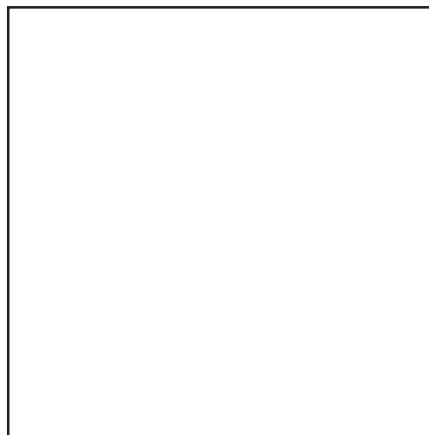
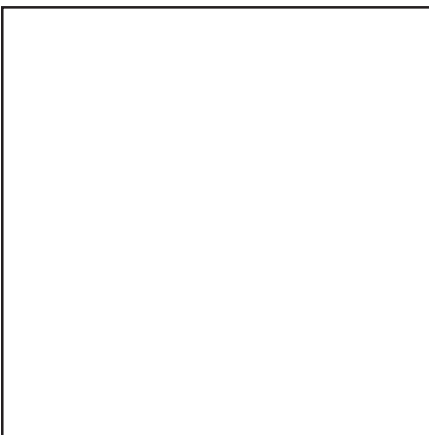
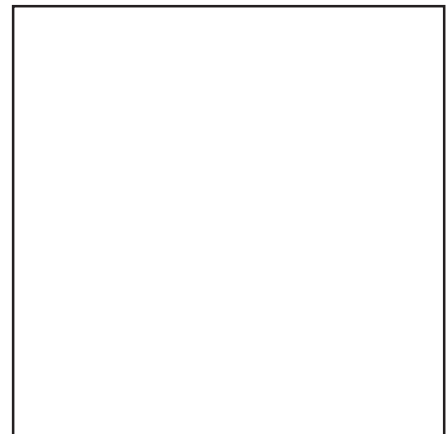
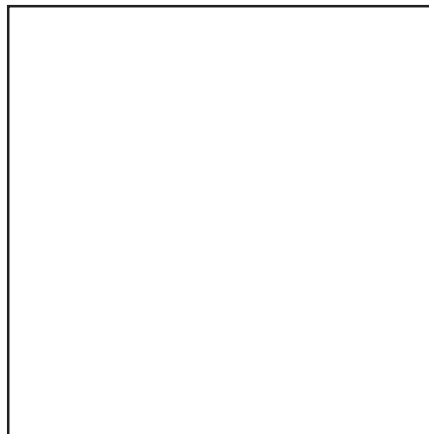
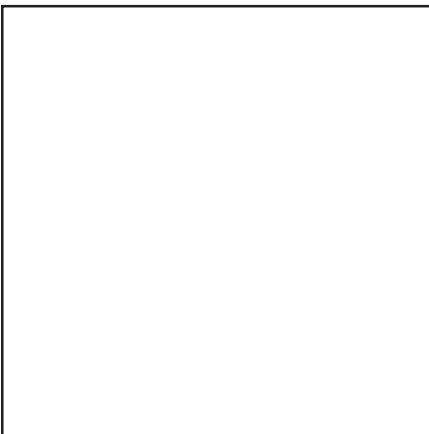
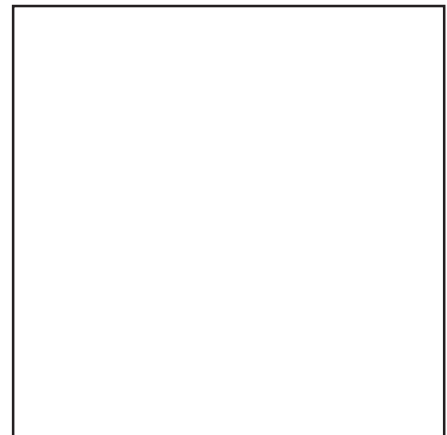
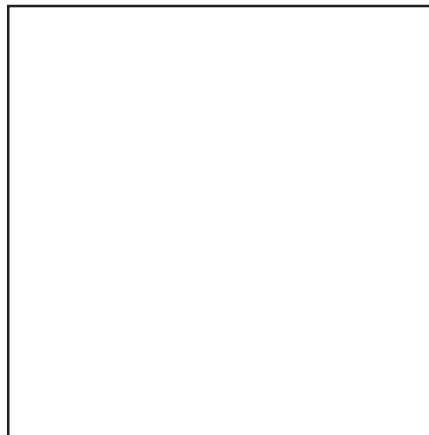
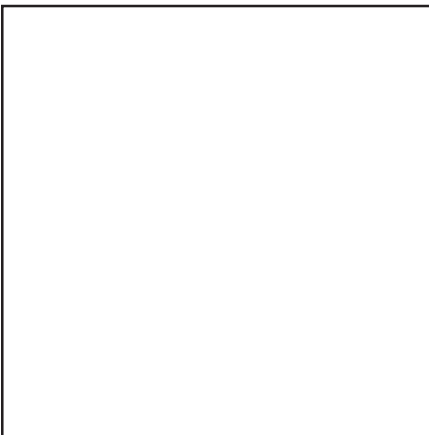
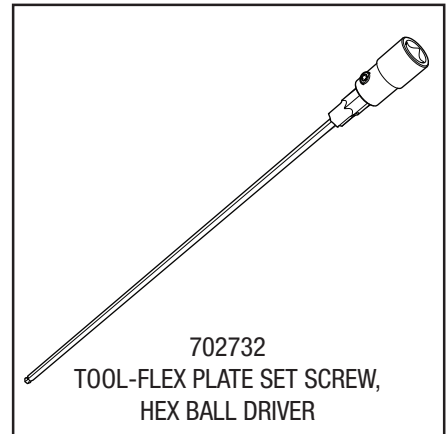
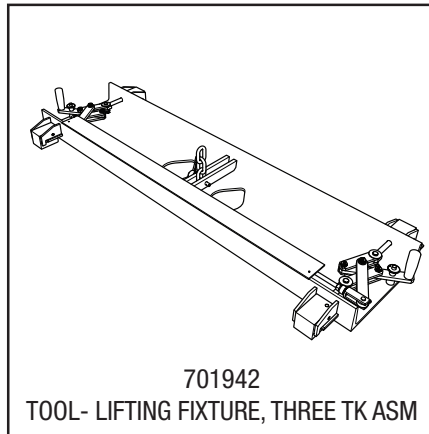
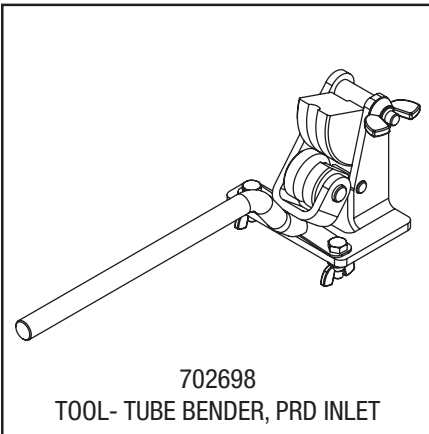


702181
SOCKET- VP, CYLINDER HEAD

VP Trailer Special Tools - All Models (Cont)



VP Trailer Special Tools - All Models (Cont)



THIS PAGE INTENTIONALLY LEFT BLANK

Revision History:

Revision A: 2/9/18 - Initial Release

Revision B: 8/12/22 - Updated sections include: VP Trailer User Interface, Trailer Covers, Trailer Actuation Control, Trailer Pressure Relief Valves, Trailer Labels, and Trailer Accessories. New sections include: VP Trailer Identification, Trailer Manual Shut Off Valves, Trailer Regulator & Filter, Trailer Cylinder Supports & Cross Members, Trailer Cylinder Assembly & PRD, Trailer Mechanical Components, and Trailer Special Tools.

Revision C: 2/15/25 - Updated to include content for Gen 3 40' Trailers, Gen 2 10' Trailers, and content for Hydrogen and Helium where needed.

All information, illustrations and specifications are based on the latest product information available at the time of printing. Quantum Fuel Systems LLC reserves the right to make changes at any time without notice.

This information is the intellectual property of Quantum Fuel Systems LLC and may not be altered in any way. This information is protected by the copyright laws of the United States of America, and other countries, and may not be reproduced, stored in any retrieval system, or transmitted in any form or by any means (including but not limited to electronic, mechanical, photocopying, and recording) without the prior written permission of Quantum Fuel Systems LLC.



Quantum Fuel Systems LLC.
25372 Commercentre Drive
Lake Forest, CA 92630
Tel: (949) 930-3400
www.qtw.com